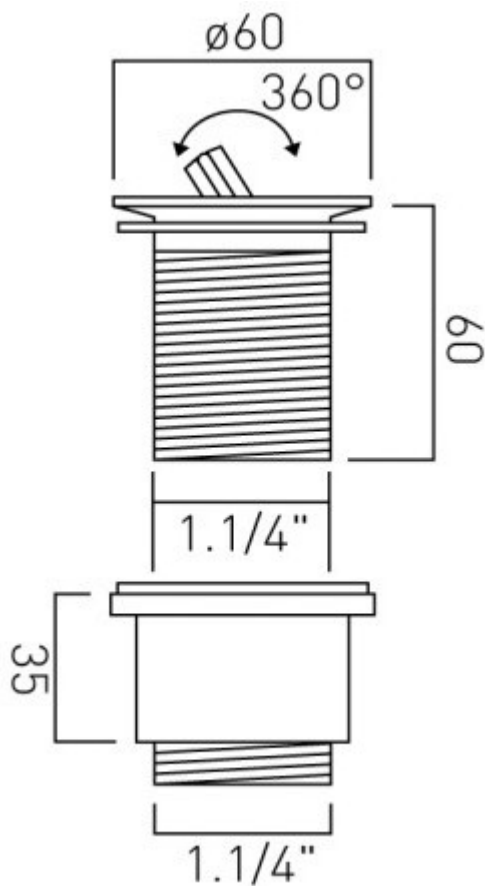




Technical sheet:
PEX-392-NS-C/P



technical drawing



description:

un-slotted captive basin waste
flip top waste
 $1\frac{1}{4}$ " x 10mm threaded connections

finishes:

chrome

guarantee:

12 year guarantee

VADO wedmore road cheddar somerset england bs27 3eb

tel 01934 744466 fax 01934 744345 sales@vado-uk.com www.vado-uk.com