

OUTFIT

by Twyford

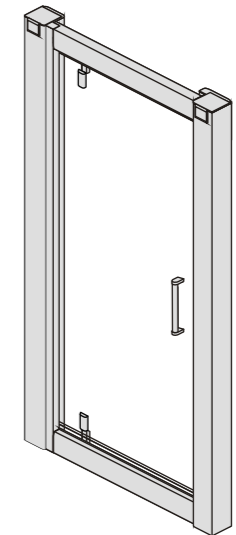
Care Instructions

Shower enclosures should be cleaned after every use. To prevent limescale from building up, use a squeegee, a soft cloth or chamois leather - but no cleaning agent - to wipe off any water droplets left after showering. Residue left by bodycare products (liquid soap, shampoo, shower gel) can also cause substances to accumulate. Use water to rinse away residues after use. All sliding door track fittings should also be cleaned this way - to ensure that they continue to run smoothly.

- Don't allow limescale to build up - especially in hard water areas
- If you do get a stubborn limescale build up, a mixture of 50:50 vinegar and water will help you to clean it away - but make sure all vinegar is rinsed off completely
- Never use strong detergents or cleaning agents
- Cleaning materials should wherever possible be rated between PH4 and PH8
- In no circumstances should you use any abrasive substances

Registered office: Lawton Road, Alsager, Stoke-on-Trent, ST7 2DF, UK
T: +44(0) 1270 879777 F: +44(0) 1270 870087
E: shower.team@twyfordbathrooms.com
www.twyfordbathrooms.com
Part of the Sanitec Group

Pivot Door with or without Side Panel

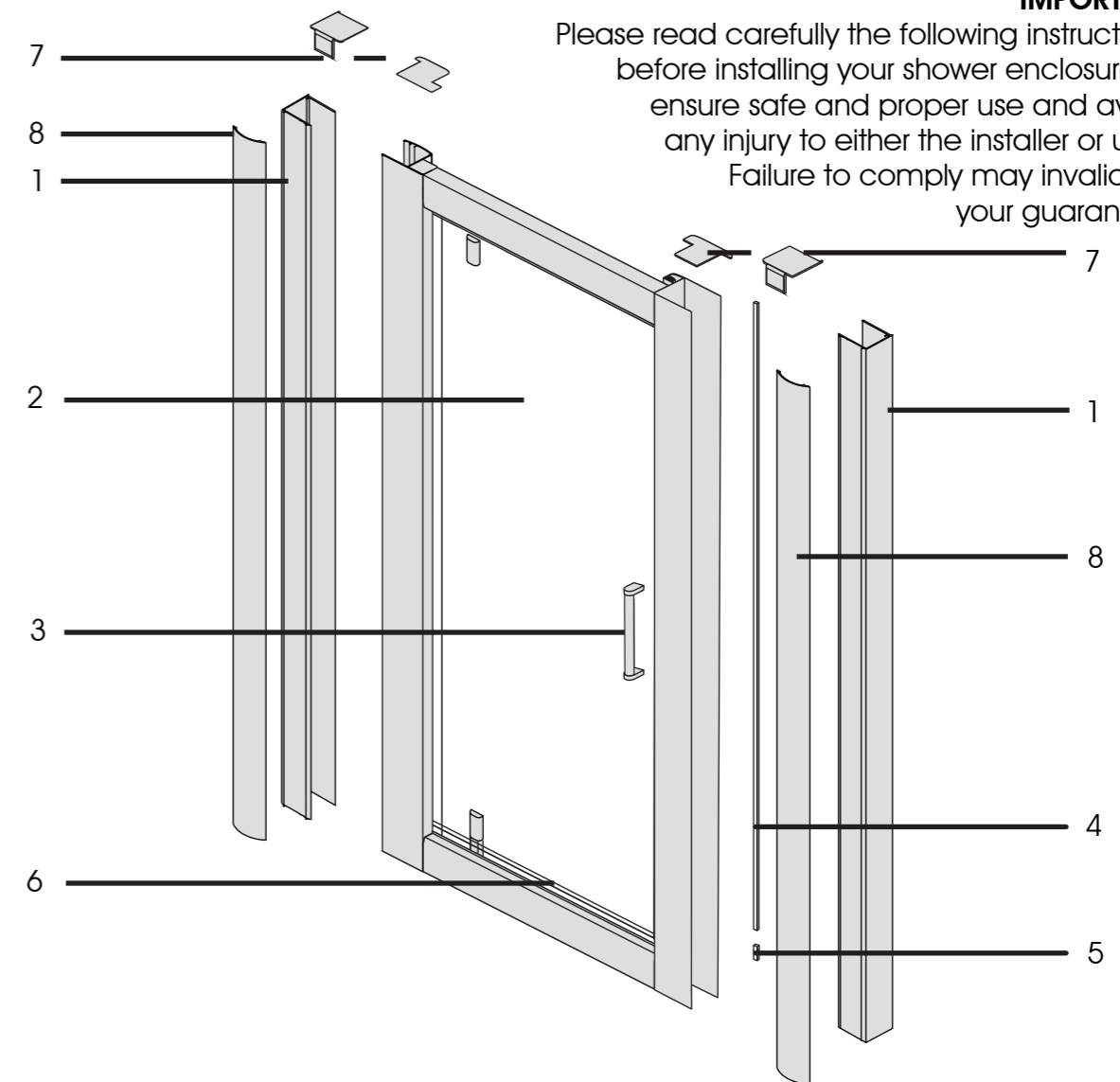


TOTALINSTALL™

Twyford
showering

IMPORTANT

Please read carefully the following instructions before installing your shower enclosure to ensure safe and proper use and avoid any injury to either the installer or user. Failure to comply may invalidate your guarantee.



Pivot Door Components list		
Part No:	Description	Qty
1	Wall Profile	2
2	Pre assembled door unit	1
3	Handle	1
4	Magnetic Door Seal	1
5	Magnet End Stop	1
6	Door bottom water deflector	1
7	2 piece cover caps	2
8	Screw cover strip	2

Fixings Pack	
Description	Qty
Allen key	1
Pan hd self tapping screw 10mm lng	8
Pan hd self tapping screw 30mm lng	8
Plastic wall plugs	8
Drill bit dia 3.2mm	1
Chrome Hinge Screw Cover Caps	4
Hinge Bleck Screw Cover Caps	4

Side Panel Components list		
Part No:	Description	Qty
1	Glazed Panel & Corner Post	1
2	Towel Rail	1
3	2 piece cover caps (LH/RH)	2
4	Screw cover strip	1

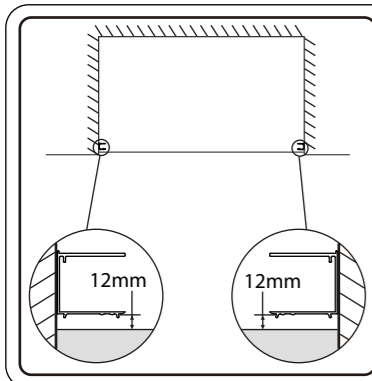
Side Panel Fixings Pack	
Description	Qty
Pan hd self tapping screw 10mm lng	4

side panel items not pictured

prior to installation:

Before Installing the shower screen, install the shower tray as per the manufacturers instructions making sure that tray is level in all directions.

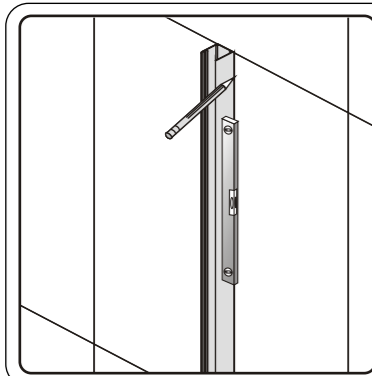
We recommend that the tray is installed before tiling down onto the tray.



step 1. installation in an alcove

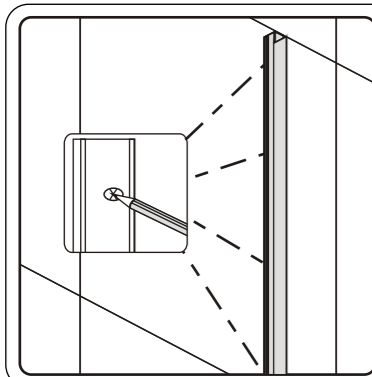
Position the wall profiles approx 12mm in from the edge of the tray or inside of up-stand

For installation with a side panel please see step 16



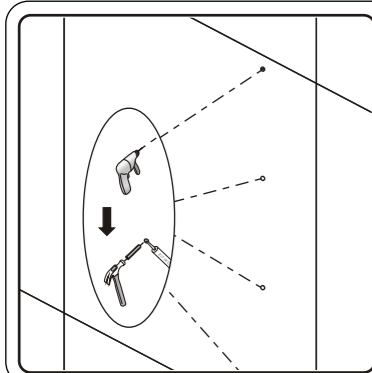
step 2.

Make sure both wall profiles are upright using a spirit level.



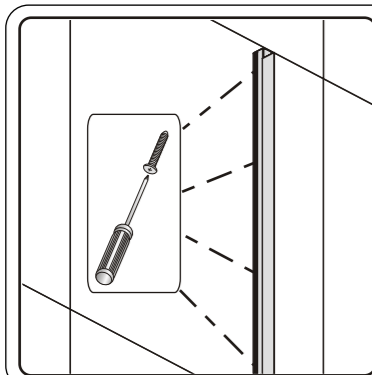
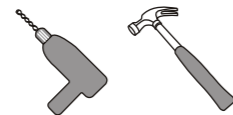
step 3.

Mark the position on the wall through the pre drilled holes with your pencil. Carefully move the wall profile away from the wall and put somewhere safely to avoid damage when you start drilling.



step 4.

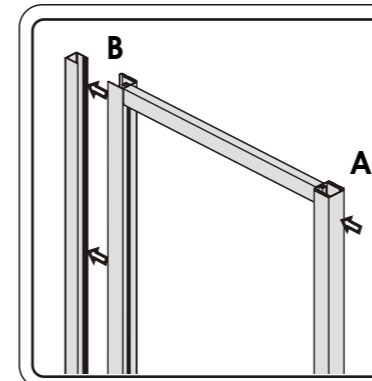
Drill holes where marked using the 6mm masonry drill bit. (You may need a specialized drill bit if you are drilling into tiles, if unsure please get advice). You can now install the wall plugs that have been provided.



step 5.

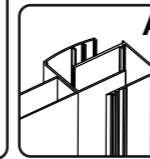
Screw one wall profile to the wall making sure you keep the profile vertical. Use the 30mm screws provided. Repeat the above procedures for the Second profile. Make sure the distance from the edge of the tray is the same as the previous profile.

**installation into an alcove - go to step 6.
installation with side panel - go to step 17.**

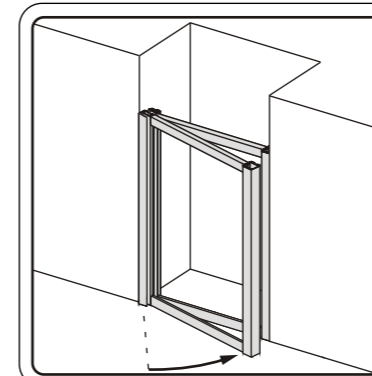


step 6.

Loosely locate the unfixed wall profile into the vertical door profile, as shown **A**. Then, slide the whole unit into the fixed wall profile, **B**.

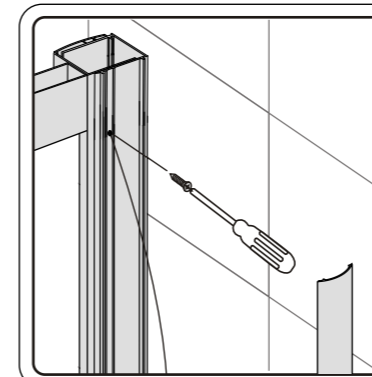
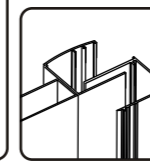


loose profile shown here. Outside of the enclosure.



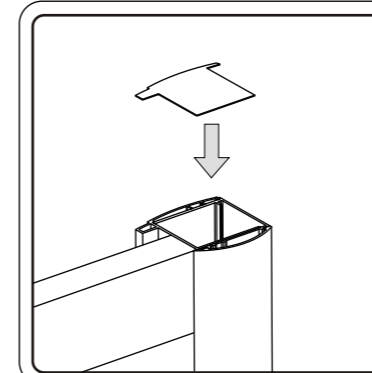
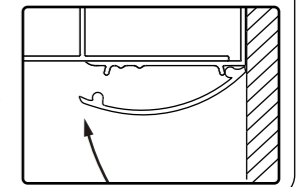
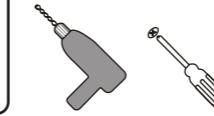
step 7.

Pivot the whole assembly around the fixed profile to it's final position. By parting the loose profiles, indicated below, the other wall profile can be screwed into your pre-drilled holes.



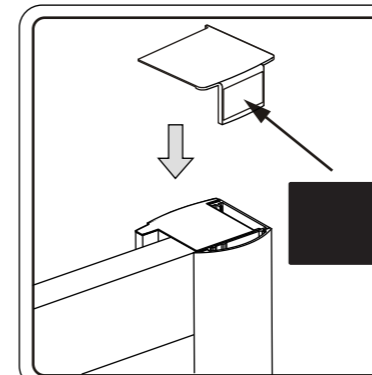
step 8.

Ensuring the screen is central between the walls and vertical, drill through the pre-drilled holes on the outside of the wall profile into the shower screen profile using a 3.2mm diameter drill. Secure together using the 10mm screws provided. Once tight, install the external screw cover strip.



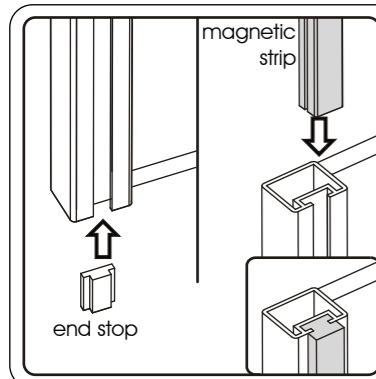
step 9.

Fit the first profile cover cap as shown. Cover caps vary slightly for each side.



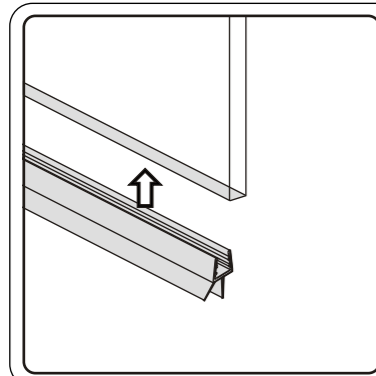
step 10.

Now fit the upper profile cover cap as shown. Apply the badges as indicated.



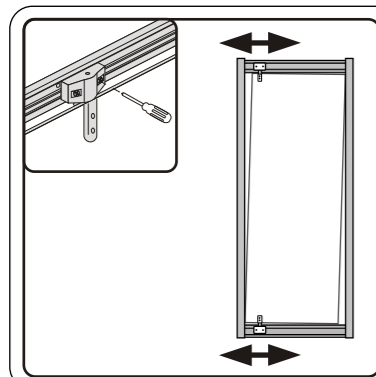
step 11.

Insert the plastic end-stop into the 'T' shape slot located at the bottom of the door. Then check the polarity of the magnetic door strip against the one located in the shower screen itself. When you are happy it is the correct way round slide the magnetic strip down the same 'T' slot. Make sure it reaches the end-stop.



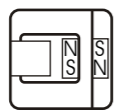
step 12.

Place the glass door water deflection strip on the lower edge of the door, ensuring the angled face is pointing into the enclosure.

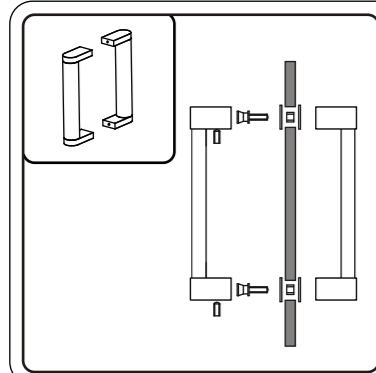


step 13.

Adjust the door by slackening the hinge block screws top and bottom. The glass door should be square in the frame and operate smoothly.

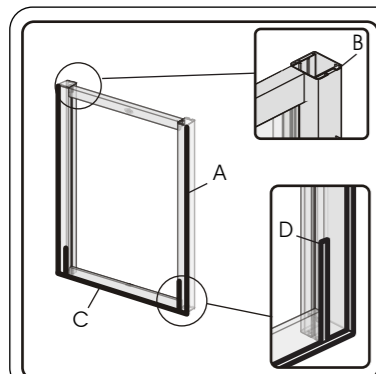


If the door fails to shut positively make sure the polarity of the magnets are correct.



step 14.

Install handles as per diagram.

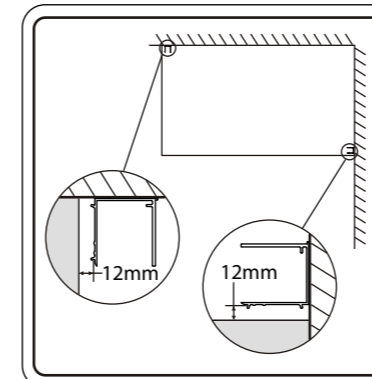


step 15.

Using good quality clear silicon sealant, seal the enclosure to the wall and tray along the following joints:

- A: Outside vertical enclosure-to-wall joint.
- B: Inside vertical enclosure-to-wall joint.
- C: Outside Perimeter enclosure-to-tray joint.
- D: 150mm high wall profile-to-enclosure joint.

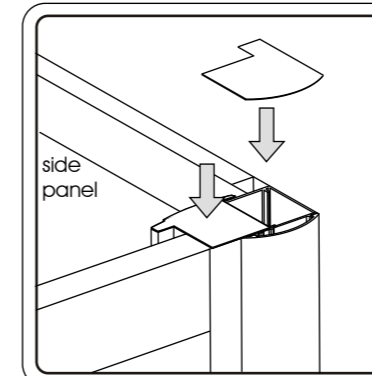
(Make sure side panel is sealed in the same way, if installed)



step 16. Installation in a corner.

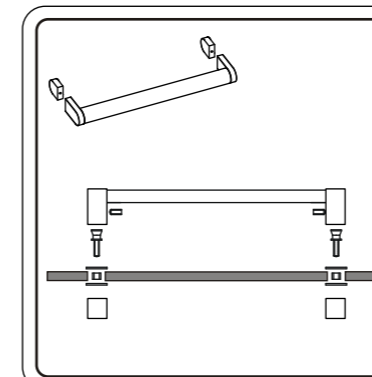
Position left and right wall profiles as shown in the diagram.

Once complete, continue with steps 2 - 5



step 17.

Drill through the pre-drilled holes in the screen profile into the side panel profile with the 3.2mm drill bit provided. Secure with the 10mm screws provided. Then, install the screw cover strip and the profile cover caps provided.



step 18.

Install the Towel Rail onto the external face of the side panel, as shown.

Once complete, continue with steps 8-15