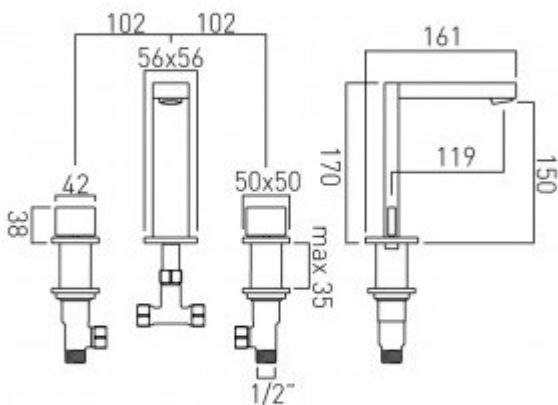




technical drawing



description:

3 hole basin mixer
deck mounted
spout can swivel or be fixed
2 x 1/2" female x 1/2" female
x 490mm flexipipe connections
valve deck mount drill hole diameter 34mm
spout deck mount drill hole diameter 20mm

finishes:

chrome

minimum operating pressure: 1.0 bar MP

ECO flow regulator: FR-100/5-PLA

guarantee:

12 year guarantee

VADO wedmore road cheddar somerset england bs27 3eb

tel 01934 744466 fax 01934 744345 sales@vado-uk.com www.vado-uk.com