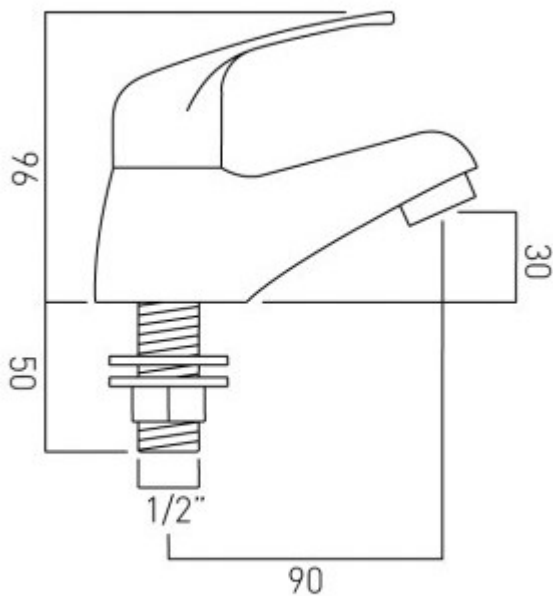




technical drawing



description:

basin pillar taps
deck mounted
with water flow aerator
ceramic cartridge MAT-VALVE/CD/CL-1/2 &
MAT-VALVE/CD/HT-1/2
1/2" x 50mm tail connections
deck mount drill hole diameter 22mm

finishes:

chrome

minimum operating pressure: 0.2 bar LP

ECO flow regulator: FR-106/4-PLA

guarantee:

12 year guarantee

VADO wedmore road cheddar somerset england bs27 3eb

tel 01934 744466 fax 01934 744345 sales@vado-uk.com www.vado-uk.com