



An AGA Company

sink & tap collection

engineering excellence

March 2012 edition

For latest prices and delivery to your door visit MyTub Ltd - www.mytub.co.uk - info@mytub.co.uk 0844 556 1818



aquanomic

With an eye to the future, Leisure Sinks have put together a new range of kitchen taps under the Aquanomic name, already approved to meet the latest proposed building regulations in accordance with the code for sustainable homes.

Any new home will need to have a code rating, which are based upon standards set by the government. Homes with higher ratings will be more energy efficient, and for the home owner there is less waste and lower running costs.

See page 24 for more information on the Aquanomic taps.



Leisure Sinks is the largest manufacturer of kitchen sinks in the UK. With more than 70 years experience and a reputation for excellence, we're able to offer a wide range of high quality sinks and taps for you to choose from. Leisure sinks come in a variety of styles and materials including stainless steel, composite and ceramic designs to complement your lifestyle perfectly and are guaranteed to perform.

www.leisuresinks.co.uk



Contour - page 13



Verona - page 20



Linear XS - page 14

contents

Stainless Steel	6
Proline	6
Aqualine	6
Seattle	7
Luxe	8
Euroline	9
Thinking Sink	10
Cornerline	11
Single Bowl	11
Contour	13
Linear	13
Lexin	16
Contract	17
Composite	19
Gemini	19
Verona	20
Highlight	20
Uniline	21
Elite	22
Fire-clay Ceramic	23
Belfast	23
Aquanomic Taps	24
Taps	25



An AGA Company

leisure quality & awards

At Leisure we work hard to ensure the quality of our sinks & taps are consistently high, focusing on the best materials, the highest levels of workmanship, and a dedication to excellence that's second to none. However, we don't expect you to just take our word for it: our products are regularly tested by independent inspectors to guarantee we keep standards high. Continuous assessment and ongoing investment in the quality of both materials and construction is essential to our philosophy and have enabled us to become Britians most widely used sink brand.

Kitemark

A world-renowned symbol of trust, integrity and quality, Leisure is proud that a number of its products have earned the BSI Kitemark seal of approval. Auditing the superiority of our sinks as well as the quality management systems we have in place on a regular basis, the Kitemark is indisputable proof of manufacturing distinction. The Kitemark is not easy to attain, which is perhaps why it offers unprecedented peace of mind. Furthermore, recent polls reveal that more than 60% of consumers would choose a product affixed with the BSI Kitemark over a similarly priced product.



ISO14001

Reassuring our customers that we are committed to protecting the environment, Leisure Sinks conform to the International Standard BS EN ISO14001: 2004, which monitors our Environmental Management System. Designed to ensure ongoing commitment to environmentally-friendly manufacturing at every level of production, our systems are audited every six months by a UK government approved assessment authority. Even this brochure has been printed on FSC approved paper to minimise the impact on our environment.



ISO9001

One of the fundamental purposes of the International Standard BS EN ISO 9001: 2000 is to assure our customers that we have a fully integrated Quality Management System in place at all levels of operations. Only by continually updating and enhancing our Quality Management in-line with regulatory requirements, are we able to guarantee the consistent quality that our customers have come to expect from the Leisure brand.



made in the UK

We are proud of the fact that virtually all of our sinks are still manufactured right here in the UK. We are constantly investing new technology and skills into the UK plant to ensure continued manufacturing here. Combining tradition with the latest technologies we work hard to keep our environmental impact to a minimum and our employment as local as possible.



materials & guarantees

With more than 80 years experience to our name, Leisure Sinks is the biggest manufacturer of sinks in the UK and has built its reputation on quality, consistency and longevity. Leisure Sinks are available in stainless steel, composite and ceramic finishes and in designs that suit both modern and traditional homes. Guaranteed to last up to 20 years – often longer than the lifetime of a kitchen - you can trust Leisure Sinks to provide perfect performance every time.

stainless steel

Made from high grade 18/10 stainless steel with seamless soldering and a rigid frame construction, our steel sinks are heavy duty in construction and won't bend or flex under pressure. For extra scratch resistance, choose between Linen or Brushed Steel finishes. Those seeking a modern high-shine surface can opt for Satin Steel or the even shinier Polished Steel finish.

Pages 6 - 18



composite

Constructed from an exclusive compound developed over many years, our composite sinks feature 70% quartz particles for a unique surface that's similar to granite in terms of durability but much more flexible in design. Offering high scratch and impact resistance, our composite sinks are easy to clean and can withstand temperatures up to 230°C so can safely accommodate hot pans and boiling liquids. Available in a range of colours, these sinks are ergonomically designed with soft, tactile curves, to perfectly match your kitchen.

Pages 19 - 22



fire-clay ceramic

The benefits of buying a ceramic sink can be found in their completely non-porous, stain-proof surface that won't fade or discolour. Perfect for the more traditional home or those looking to coordinate modern white worktops, Leisure's heavyweight fire-clay ceramic sinks are made using high quality raw materials alongside tried and tested manufacturing techniques to achieve perfect results time after time.

Page 23

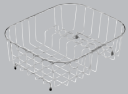


proline



Product	Code	Description	Side Profile	Pack Available
	Polished Finish PL9851L/ PL9851R/ Linen Finish PL9851LLF/ PL9851RLF/	Overall Size: 985 x 508 mm Main Bowl Size: 500 x 400 x 190 mm Second Bowl Size: N/A Material / Gauge: 18/10 0.9 Reversible / Handed: Handed Finish: Polished or Linen Tap Hole Size: 1 x 35 mm Waste Kit: Included - WKIT09/	 Min Base Unit: 600	Tap Centre PL9851/TCAD2 (TAD2CM/) PL9851LF/TC (TAD2CM/)
	Polished Finish PL9852L/ PL9852R/ Linen Finish PL9852LLF/ PL9852RLF/	Overall Size: 985 x 508 mm Main Bowl Size: 350 x 420 x 190 mm Second Bowl Size: 156 x 342 x 120 mm Material / Gauge: 18/10 0.9 Reversible / Handed: Handed Finish: Polished or Linen Tap Hole Size: 1 x 35 mm Waste Kit: Included - WKIT01/	 Min Base Unit: 600	Chef Centre PL9852/CC, PL9852LF/CC Includes: KA12SS/ Draining Basket KA28SS/ Strainer Bowl KA29/ Drainer Tray TAD2CM/ Tap Tap Centre PL9852/TCAD2 (TAD2CM/) PL9852LF/TC (TAD2CM/)

Accessories Available:



KA12 Draining Basket
Stainless Steel



KA28 Strainer Bowl
Stainless Steel
(included in 1/2 bowl)



KA29 Drainer Tray
Acrylic



KA11 Food Preparation Board
Wood



TAD2CM/
Included with Chef and Tap Centre packs
where stated or available separately




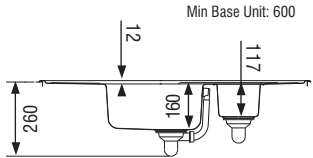
Proline sinks are also available with a
linen finish. PL9851LF/ and PL9852LF/
Linen finish applies to the sink top and
drainer only. Bowls are polished.

aqualine

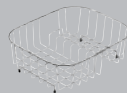


Product	Code	Description	Side Profile	Pack Available
	AQ9851/	Overall Size: 985 x 508 mm Main Bowl Size: 350 x 420 x 160 mm Second Bowl Size: N/A Material / Gauge: 18/10 0.8 Reversible / Handed: Reversible Finish: Polished Tap Hole Size: 2 x 35 mm Waste Kit: WKIT09/	 Min Base Unit: 500	Tap Centre AQ9851/TC (TAD2CM/)
	AQ9852/	Overall Size: 985 x 508 mm Main Bowl Size: 350 x 420 x 160 mm Second Bowl Size: 156 x 300 x 117 mm Material / Gauge: 18/10 0.8 Reversible / Handed: Reversible Finish: Polished Tap Hole Size: 2 x 35 mm Waste Kit: WKIT04/	 Min Base Unit: 600	Chef Centre AQ9852/CC Includes: KA12SS/ Draining Basket KA01/ Beech Chopping Board KA17/ Acrylic Strainer Bowl KA34/ Acrylic Drainer Extension TAD2CM/ Tap Tap Centre AQ9852/TC (TAD2CM/)



Product	Code	Description	Side Profile	Pack Available
	AQ9853/	Overall Size: 985 x 510 mm Main Bowl Size: 350 x 420 x 160 mm Second Bowl Size: 156 x 300 x 117 mm Material / Gauge: 18/10 0.8 Reversible / Handed: Reversible Finish: Polished Tap Hole Size: 2 x 35 mm Waste Kit: Included - WKIT04/		

Accessories Available:



KA12 Draining Basket
Stainless Steel



KA17 Strainer Bowl
Stainless Steel or Acrylic



KA33 Drainer Tray
Acrylic




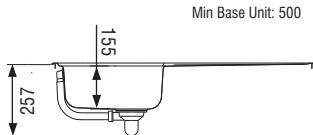

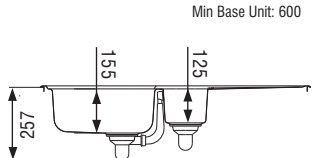
KA34 Drainer Extension
Acrylic



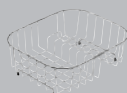
TAD2CM/
Included with Chef and Tap Centre packs where stated or available separately

seattle



Product	Code	Description	Side Profile	Pack Available
	Polished Finish SE9501LPOL/ SE9501RPOL/ SE9501POL/ Linen Finish SE9501NCLF/	Overall Size: 950 x 508 mm Main Bowl Size: 360 x 424 x 155 mm Second Bowl Size: N/A Material / Gauge: 18/10 0.7 Reversible / Handed: Reversible or Handed Finish: Polished or Linen Tap Hole Size: 1 x 35 mm / 2 x 35 mm Reversible Waste Kit: WKIT09/		Chef Centre SE9501POL/CC, SE9501LPOL/CC, SE9501RPOL/CC, Includes: KA12SS/ Draining Basket TAD2CM/ Tap Tap Centre SE9501POL/TC (TAM1CM/ SE9501POL/TCAD2 (TAD2CM/ SE9501POL/TCVR1 (TVR1CM/)
	Polished Finish SE9502LPOL/ SE9502RPOL/ SE9502POL/ Linen Finish SE9502NCLF/	Overall Size: 950 x 508 mm Main Bowl Size: 360 x 424 x 155 mm Second Bowl Size: 156 x 300 x 125 mm Material / Gauge: 18/10 0.7 Reversible / Handed: Reversible or Handed Finish: Polished or Linen Tap Hole Size: 1 x 35 mm / 2 x 35 mm Reversible Waste Kit: WKIT04/		Chef Centre SE9502POL/CC Includes: KA12SS/ Draining Basket KA26SS/ Strainer Bowl TAD2CM/ Tap Tap Centre SE9502POL/TC (TAM1CM/ SE9502POL/TCAD2 (TAD2CM/ SE9502POL/TCVR1 (TVR1CM/)

Accessories Available:



KA12 Draining Basket
Stainless Steel



KA26 Strainer Bowl
Stainless Steel



KA11 Food Preparation Board
Wooden



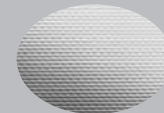
TVR1CM/
Included with Tap Centre packs where stated or available separately




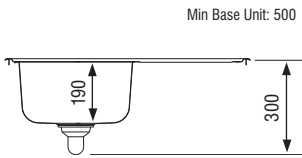

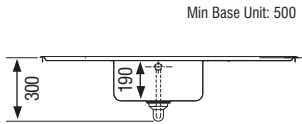

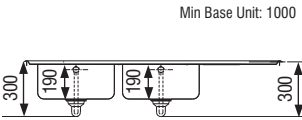

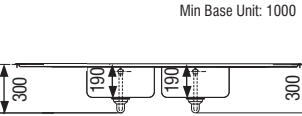
TAD2CM/
Included with Chef and Tap Centre packs where stated or available separately



TAM1CM/
Included with Chef and Tap Centre packs where stated or available separately



Seattle sinks are also available with a linen finish. SE9051NCLF/ and SE9052NCLF/ Linen finish applies to the sink top, bowl and drainer.

Product	Code	Description	Side Profile	Pack Available
	1 Tap Hole LX105L/ LX105R/ 2 Tap Holes LX105L2TH/ LX105R2TH/	Overall Size: 1000 x 508 mm Main Bowl Size: 420 x 350 x 190 mm Second Bowl Size: N/A Material / Gauge: 18/10 0.9 Reversible / Handed: Handed Finish: Polished Tap Hole Size: 1 x 35 mm / 2 x 31 mm Waste Kit: Included - WKIT02/ (LX105), WKIT09/ (LX1052TH)	 Min Base Unit: 500	
	1 Tap Hole LX155/ 2 Tap Holes LX1552TH/	Overall Size: 1500 x 508 mm Main Bowl Size: 420 x 350 x 190 mm Second Bowl Size: N/A Material / Gauge: 18/10 0.9 Reversible / Handed: Handed Finish: Polished Tap Hole Size: 1 x 35 mm / 2 x 31 mm Waste Kit: Included - WKIT02/ (LX155), WKIT09/ (LX1552TH)	 Min Base Unit: 500	
	LX155L/ LX155R/	Overall Size: 1500 x 508 mm Main Bowl Size: 420 x 400 x 190 mm Second Bowl Size: 420 x 350 x 190 mm Material / Gauge: 18/10 0.9 Reversible / Handed: Handed Finish: Polished Tap Hole Size: 1 x 35 mm Waste Kit: Included - WKIT02/ & WKIT09/	 Min Base Unit: 1000	
	LX84/	Overall Size: 2120 x 460 mm Main Bowl Size: 420 x 350 x 190 mm Second Bowl Size: 420 x 350 x 190 mm Material / Gauge: 18/10 0.9 Reversible / Handed: - Finish: Polished Tap Hole Size: 1 x 35 mm Waste Kit: Included - WKIT02/ & WKIT09/	 Min Base Unit: 1000	

Accessories Available:


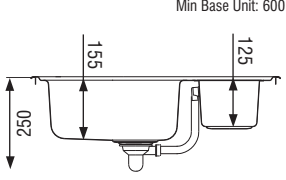

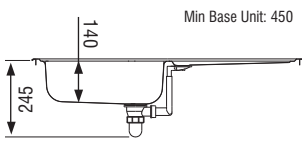

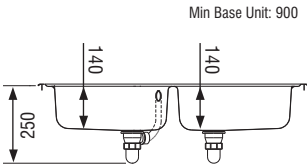

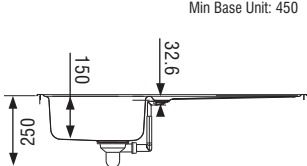

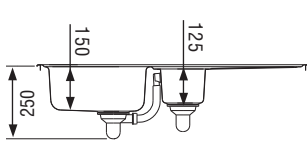



KA12 Draining Basket
Stainless Steel



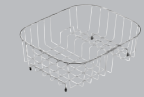
KA34 Drainer Extension
Acrylic



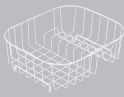
Product	Code	Description	Side Profile	Pack Available
	EL650/	<p>Overall Size: 647 x 508 mm Main Bowl Size: 340 x 424 x 155 mm Second Bowl Size: 156 x 300 x 125 mm Material / Gauge: 18/10 0.7 Reversible / Handed: Reversible Finish: Polished Tap Hole Size: 2 x 35 mm Waste Kit: WKIT04/</p>	 <p>Min Base Unit: 600</p>	
	Bright Finish EL860/NC Linen Finish EL860LF/	<p>Overall Size: 860 x 435 mm Main Bowl Size: 376 x 351 x 140 mm Second Bowl Size: N/A Material / Gauge: 18/10 0.6 Reversible / Handed: Reversible Finish: Bright or Linen Tap Hole Size: 2 x 35 mm Waste Kit: WKIT07/</p>	 <p>Min Base Unit: 450</p>	<p>Tap Centre</p> <p>EL860/NCTC (TAM1CM/) EL860LF/TC (TAM1CM/)</p>
	EL860DB/1TH	<p>Overall Size: 860 x 435 mm Main Bowl Size: 362 x 351 x 140 mm Second Bowl Size: 362 x 351 x 140mm Material / Gauge: 18/10 0.8 Reversible / Handed: N/A Finish: Polished Tap Hole Size: 1 x 35 mm Waste Kit: WKIT07/ x 2</p>	 <p>Min Base Unit: 900</p>	
	EL9501/	<p>Overall Size: 950 x 508 mm Main Bowl Size: 340 x 424 x 150 mm Second Bowl Size: N/A Material / Gauge: 18/10 0.7 Reversible / Handed: Reversible Finish: Polished Tap Hole Size: 2 x 35 mm Waste Kit: WKIT16/</p>	 <p>Min Base Unit: 450</p>	<p>Chef Centre</p> <p>EL9501/CC Includes: KA12SS/ Draining Basket KA07/ Acrylic Drainer Tray TAM1CM/ Chrome Tap</p> <p>Tap Centre</p> <p>EL9501/TC (TAM1CM/) EL9501/TCVR1 (TVR1CM/) EL9501/TC-WM (TAD2CM/) EL9501/TC-WMA (TAD2CM/-AN)</p>
	EL9502/	<p>Overall Size: 950 x 508 mm Main Bowl Size: 340 x 424 x 150 mm Second Bowl Size: 156 x 300 x 125 mm Material / Gauge: 18/10 0.7 Reversible / Handed: Reversible Finish: Polished Tap Hole Size: 2 x 35 mm Waste Kit: WKIT06/</p>	 <p>Min Base Unit: 600</p>	<p>Chef Centre</p> <p>EL9502/CC Includes: KA12SS/ Draining Basket KA26/ Acrylic Strainer Bowl KA07/ Acrylic Drainer Tray TAM1CM/ Chrome Tap</p> <p>Tap Centre</p> <p>EL9502/TC (TAM1CM/) EL9502/TC-WM (TAD2CM/) EL9502/TCVR1 (TVR1CM/) EL9502/TC-WMAN (TAD2CM/-AN)</p>

Product	Code	Description	Side Profile	Pack Available
	EL9503/	Overall Size: 950 x 508 mm Main Bowl Size: 340 x 424 x 150 mm Second Bowl Size: N/A Material / Gauge: 18/10 0.7 Reversible / Handed: Reversible Finish: Polished Tap Hole Size: 2 x 35 mm Waste Kit: WKIT16/	 <p>Min Base Unit: 500</p>	

Accessories Available:



KA12 Draining Basket
Stainless Steel



KA02 Draining Basket
White (EL860 only)



KA11 Food Preparation Board
Wooden



KA26 Strainer Bowl
Stainless Steel



KA07 Drainer Tray
Acrylic



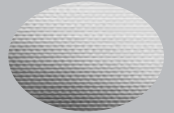
TVR1CM/
Included with Tap Centre packs where stated or available separately



TAD2CM/
Included with Tap Centre packs where stated or available separately



TAM1CM/
Included with Chef and Tap Centre packs where stated or available separately



Euroline sinks are also available with a linen finish. EL860LF/ Linen finish applies to the sink top and drainer only.

thinking sink



Product	Code	Description	Side Profile	Pack Available
	Polished Finish TS9855/ Linen Finish TS9855LF/	Overall Size: 985 x 508 mm Main Bowl Size: 355 x 380 x 165 mm Second Bowl Size: 156 x 300 x 125 mm Material / Gauge: 18/10 0.9 Reversible / Handed: Reversible Finish: Polished or Linen Tap Hole Size: 2 x 35 mm Waste Kit: WKIT18/	 <p>Min Base Unit: 600</p>	

Accessories Available:



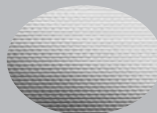
KA02 Draining Basket
White



KA11 Food Preparation Board
Wooden




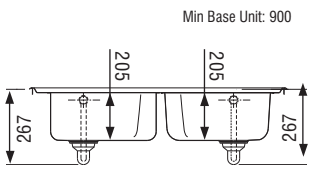
KA26 Strainer Bowl
Stainless Steel or Acrylic



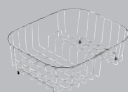
Thinking sinks are also available with a linen finish. TS9855LF/ Linen finish applies to the sink top and drainer only.

cornerline

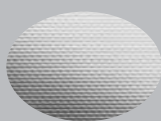


Product	Code	Description	Side Profile	Pack Available
	Polished Finish CL830/ Linen Finish CL830LF/	Overall Size: 830 x 830 mm Main Bowl Size: 340 x 400 x 205 mm Second Bowl Size: 340 x 400 x 205 mm Material / Gauge: 18/10 0.9 Reversible / Handed: N/A Finish: Polished or Linen Tap Hole Size: 1 x 35 mm Waste Kit: Included		

Accessories Available:




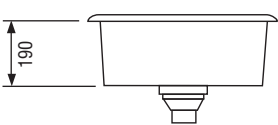

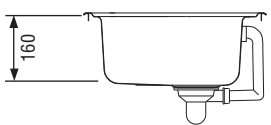

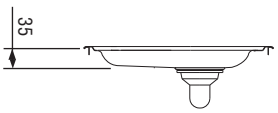
KA12 Draining Basket
Stainless Steel


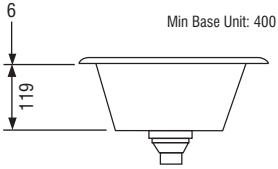

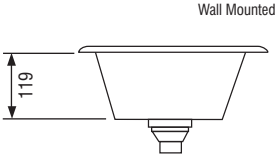

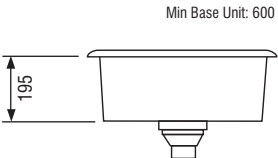


Cornerline sinks are also available with a linen finish. CL830LF/ Linen finish applies to the sink top and drainer only.

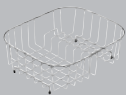
single bowl



Product	Code	Description	Side Profile	Pack Available
	BSS40/ BSS40/NWKIT	Overall Size: 432 x 452 mm Main Bowl Size: 400 x 420 x 190 mm Second Bowl Size: N/A Material / Gauge: 18/10 0.8 Reversible / Handed: N/A Finish: Polished Tap Hole Size: N/A Waste Kit: WKIT09/ (Included in BSS40/)		
	RB440BF/	Overall Size: 440ø Main Bowl Size: 380ø x 160mm Second Bowl Size: N/A Material / Gauge: 18/10 0.6 Reversible / Handed: N/A Finish: Brushed Tap Hole Size: N/A Waste Kit: Included		
	RD440BF/	Overall Size: 440ø Main Bowl Size: 380ø x 35mm Second Bowl Size: N/A Material / Gauge: 18/10 0.6 Reversible / Handed: N/A Finish: Brushed Tap Hole Size: N/A Waste Kit: Included		

Product	Code	Description	Side Profile	Pack Available
	BSS3/NN BSS3/NNT BSS3/ON (with overflow) (T-Nut fixings included)	Overall Size: 375 x 350 mm Main Bowl Size: 302ø x 119mm Second Bowl Size: N/A Material / Gauge: 18/10 1.2 Reversible / Handed: N/A Finish: Polished Tap Hole Size: N/A Waste Kit: PA06/		
	BSS5/NOF2TH BRKT/	Overall Size: 381 x 327 mm Main Bowl Size: 308ø x 119mm Second Bowl Size: N/A Material / Gauge: 18/10 1.2 Reversible / Handed: N/A Finish: Polished Tap Hole Size: 2 x 31 mm Waste Kit: PA06/ Left & right brackets for BSS5 bowl		
	BSS1/	Overall Size: 508 x 419 mm Main Bowl Size: 470 x 380 x 195 Second Bowl Size: N/A Material / Gauge: 18/10 0.9 Reversible / Handed: N/A Finish: Polished Tap Hole Size: N/A Waste Kit: Included - WKIT09/		

Accessories Available:



KA12 Draining Basket
Stainless Steel or White
(BSS40 & BSS1 Only)



KA46 Round Bowl Basket
Stainless Steel
(RB440 only)



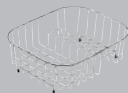
KA45 Round Bowl Chopping Board
(RB440 only)

contour



Product	Code	Description	Side Profile	Pack Available
	CN950/	Overall Size: 950 x 508 mm Main Bowl Size: 420 x 400 x 180 mm Material / Gauge: 18/10 0.9 Reversible / Handed: Reversible Finish: Soft Brushed Polished Finish Tap Hole Size: 2 x 35 mm Waste Kit: WKIT09/		<div style="background-color: #cccccc; padding: 2px; text-align: center;">Tap Centre</div> CN950/TCFL1 (TFL1CM/)

Accessories Available:




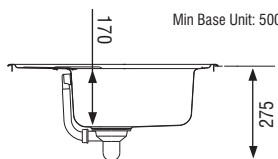

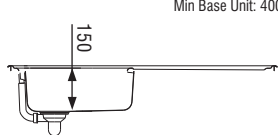

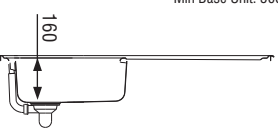
KA12 Draining Basket
Stainless Steel



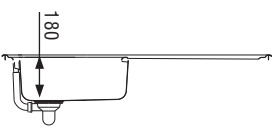


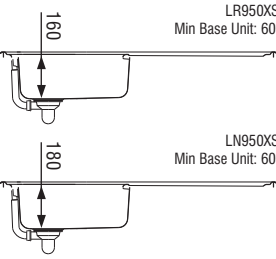

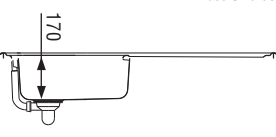


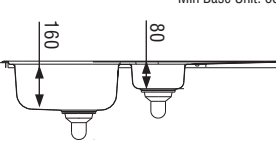

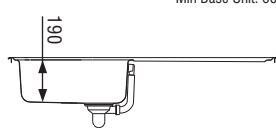

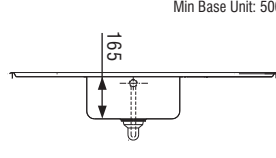



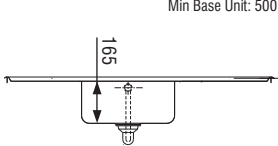

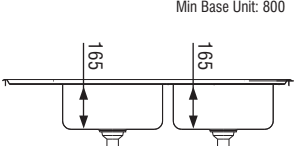

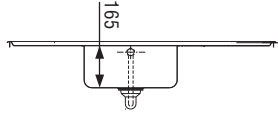

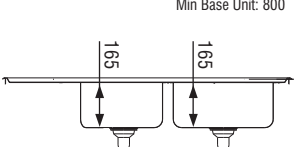
TFL1CM/
Included with Tap Centre packs
where stated or available separately

linear

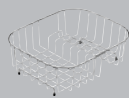


Product	Code	Description	Side Profile	Pack Available
	LR460/	Overall Size: 463 x 471 mm Main Bowl Size: 393 x 334 x 170 mm Second Bowl Size: - Material / Gauge: 18/10 0.6 Reversible / Handed: N/A Finish: Satin Tap Hole Size: 1 x 35 mm Waste Kit: WKIT09/		
	LR8001/	Overall Size: 800 x 508 mm Main Bowl Size: 340 x 424 x 150 mm Second Bowl Size: - Material / Gauge: 18/10 0.7 Reversible / Handed: Reversible Finish: Satin Tap Hole Size: 2 x 35 mm Waste Kit: WKIT09/ Basket Strainer Waste Or: WKIT16/ Flange & Plug		
	LR950/	Overall Size: 950 x 508 mm Main Bowl Size: 420 x 350 x 160 mm Second Bowl Size: - Material / Gauge: 18/10 0.7 Reversible / Handed: Reversible Finish: Bright Tap Hole Size: 2 x 35 mm Waste Kit: WKIT05/		<div style="background-color: #cccccc; padding: 2px; text-align: center;">Tap Centre</div> LR950/TC (TAM1CM/) LR950/TCAC1 (TAC1CM/) LR950/TCAF1 (TAF1CM/) LR950/TC-WM (TAD2CM/)

Product	Code	Description	Side Profile	Pack Available
<p>0.9 Gauge</p> 	LN950/	<p>Overall Size: 950 x 508 mm Main Bowl Size: 420 x 350 x 180 mm Second Bowl Size: - Material / Gauge: 18/10 0.9 Reversible / Handed: Reversible Finish: Bright Tap Hole Size: 2 x 35 mm Waste Kit: WKIT05/</p> 	<p>Min Base Unit: 500</p> 	
	LR950XS/ LR950XS/	<p>Overall Size: 950 x 508 mm LR Main Bowl Size: 420 x 400 x 160 mm LR Material / Gauge: 18/10 0.7 LN Main Bowl Size: 420 x 400 x 180 mm LN Material / Gauge: 18/10 0.9 Reversible / Handed: Reversible Finish: Nitto Coated Tap Hole Size: 2 x 35 mm Waste Kit: WKIT05/</p> 	<p>LR950XS/ Min Base Unit: 600</p> 	<p>Tap Centre</p> <p>LR950XS/TCAF1 (TAF1CM/) LR950XS/TCAF3 (TAF3CM/)</p>
<p>0.9 Gauge</p> 	LR950XL/	<p>Overall Size: 950 x 508 mm Main Bowl Size: 420 x 400 x 170 mm Second Bowl Size: - Material / Gauge: 18/10 0.9 Reversible / Handed: Reversible Finish: Polished Tap Hole Size: 2 x 35 mm Waste Kit: Included - WKIT09/</p>	<p>Min Base Unit: 500</p> 	
	LR9502/ LR9502L/ LR9502R/	<p>Overall Size: 950 x 508 mm Main Bowl Size: 340 x 410 x 160 mm Second Bowl Size: 175 x 320 x 80 mm Material / Gauge: 18/10 0.8 Reversible / Handed: Reversible & Handed Options Available Finish: Bright Tap Hole Size: 1 x 35 mm / 2 x 35 mm reversible Waste Kit: WKIT04/</p> 	<p>Min Base Unit: 600</p>  <p>Overflow on bridge of the sink in main bowl for all versions</p>	<p>Tap Centre</p> <p>HANDED VERSION LR9502/TC (TAM1CM/) LR9502/TC-WM (TAD2CM/) LR9502/TCAC1 (TAC1CM/) LR9502/TCAF1 (TAF1CM/) LR9502/TC-WMAN (TAD2CM/-AN) LR9502/TCAF1-AN (TAF1CM/-AN)</p> <p>REVERSIBLE VERSION LR9502/TCAF1 (TAF1CM/) LR9502/TCAF1-AN (TAF1CM/-AN) LR9502/TCAF3 (TAF3CM/)</p>
	LR985PLUS/	<p>Overall Size: 985 x 508mm Main Bowl Size: 420 x 400 x 190mm Second Bowl Size: - Material / Gauge: 18/10 0.9 Reversible / Handed: Reversible Finish: Bright Tap Hole Size: 2 x 35 mm Waste Kit: WKIT09/</p>	<p>Min Base Unit: 600</p> 	<p>Tap Centre</p> <p>LR985PLUS/TCAD2 (TAD2CM/)</p>
	LR1160/	<p>Overall Size: 1160 x 508 mm Main Bowl Size: 380 x 355 x 165 mm Second Bowl Size: - Material / Gauge: 18/10 0.9 Reversible / Handed: N/A Finish: Polished Tap Hole Size: 2 x 31 mm Waste Kit: WKIT09/</p>	<p>Min Base Unit: 500</p> 	

Product	Code	Description	Side Profile	Pack Available
	LR116052/NC	Overall Size: 1160 x 508 mm Main Bowl Size: 380 x 355 x 165 mm Second Bowl Size: - Material / Gauge: 18/10 0.9 Reversible / Handed: N/A Finish: Bright Tap Hole Size: 2 x 31 mm Waste Kit: WKIT05/	 <p>Min Base Unit: 500</p>	
	LR1160DB/	Overall Size: 1160 x 508 mm Main Bowl Size: 380 x 355 x 165 mm Second Bowl Size: 380 x 355 x 165 mm Material / Gauge: 18/10 0.9 Reversible / Handed: Reversible Finish: Polished Tap Hole Size: 2 x 35 mm Waste Kit: WKIT03/	 <p>Min Base Unit: 800</p>	
	LR11601TH/	Overall Size: 1160 x 508 mm Main Bowl Size: 380 x 355 x 165 mm Second Bowl Size: - Material / Gauge: 18/10 0.9 Reversible / Handed: N/A Finish: Polished Tap Hole Size: 1 x 35 mm Waste Kit: WKIT09/	 <p>Min Base Unit: 500</p>	
	LR1160XL/	Overall Size: 1160 x 508 mm Main Bowl Size: 420 x 400 x 165 mm Second Bowl Size: 420 x 270 x 165 mm Material / Gauge: 18/10 0.9 Reversible / Handed: Reversible Finish: Bright Tap Hole Size: 2 x 35 mm Waste Kit: WKIT03/	 <p>Min Base Unit: 800</p>	

Accessories Available:



KA12 Draining Basket
Stainless Steel



KA11 Food Preparation Board
Wooden



TAF3CM/
Included with Tap Centre packs where stated or available separately



TAM1CM/
Included with Tap Centre packs where stated or available separately



TAC1CM/
Included with Tap Centre packs where stated or available separately





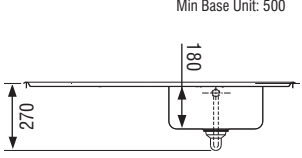

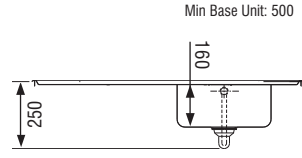

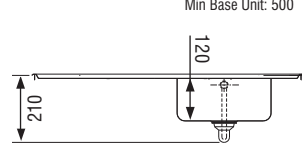
TAF1CM/
Included with Tap Centre packs where stated



TAD2CM/
Included with Tap Centre packs where stated or available separately

lexin

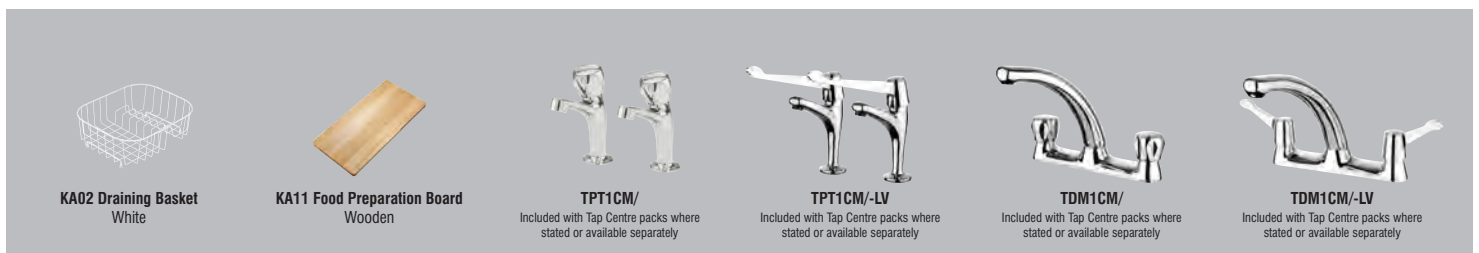


Product	Code	Description	Side Profile	Pack Available
<p>0.9 Gauge</p> 	LN95L/ LN95R/	<p>Overall Size: 950 x 508 mm Main Bowl Size: 420 x 350 x 180 mm Second Bowl Size: N/A Material / Gauge: 18/10 0.9 Reversible / Handed: Handed Finish: Bright Tap Hole Size: 2 x 31 mm Waste Kit: WKIT05/</p> 	<p>Min Base Unit: 500</p>  <p>Ⓜ Earthing Tag</p>	<p>Tap Centre</p> <p>LN95/PTC-LV (TPT1CM/-LV) LN95/DMTC-LV (TDM1CM/-LV)</p>
	LE95L/ LE95R/	<p>Overall Size: 950 x 508 mm Main Bowl Size: 420 x 350 x 160 mm Second Bowl Size: N/A Material / Gauge: 18/10 0.6 Reversible / Handed: Handed Finish: Bright Tap Hole Size: 2 x 31 mm Waste Kit: WKIT05/</p>	<p>Min Base Unit: 500</p>  <p>Ⓜ Earthing Tag</p>	<p>Tap Centre</p> <p>LE95/PTC (TPT1CM/) LE95/DMTC (TDM1CM/)</p>
	LE95LSB/ LE95RSB/	<p>Overall Size: 950 x 508 mm Main Bowl Size: 420 x 350 x 120 mm Second Bowl Size: N/A Material / Gauge: 18/10 0.6 Reversible / Handed: Handed Finish: Bright Tap Hole Size: 2 x 31 mm Waste Kit: WKIT05/</p>	<p>Min Base Unit: 500</p>  <p>Ⓜ Earthing Tag</p>	



shallow bowl with heat protection

The new shallow bowl addition to the Lexin range features pads on the base to reduce sound and heat transfer from hot water within the bowl when the sink base is open. This advance considers kitchen designs for wheelchair access, averting burns when skin contacts the underside of the sink, whilst the 120mm depth bowl provides a solution for those with less reach.



KA02 Draining Basket
White

KA11 Food Preparation Board
Wooden

TPT1CM/
Included with Tap Centre packs where stated or available separately

TPT1CM/-LV
Included with Tap Centre packs where stated or available separately


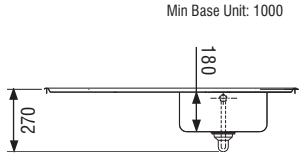

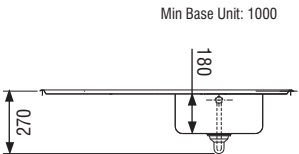

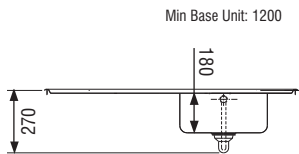

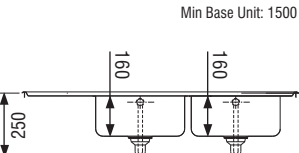
TDM1CM/
Included with Tap Centre packs where stated or available separately

TDM1CM/-LV
Included with Tap Centre packs where stated or available separately

contract sinks



Product	Code	Description	Side Profile	Pack Available
	LC42L/ LC42R/	Overall Size: 1067 x 533 mm (42"x 21") Main Bowl Size: 420 x 350 x 160 mm Second Bowl Size: N/A Material / Gauge: 18/10 0.6 Reversible / Handed: Handed Finish: Bright Tap Hole Size: 2 x 31 mm Waste Kit: WKIT05/	 Min Base Unit: 42"	
	Square Front LC105L/ LC105R/ Roll Front LC105L/RF LC105R/RF	Overall Size: 1000 x 500 mm Main Bowl Size: 420 x 350 x 160 mm Second Bowl Size: N/A Material / Gauge: 18/10 0.6 Reversible / Handed: Handed Finish: Bright Tap Hole Size: 2 x 31 mm Waste Kit: WKIT05/	 Min Base Unit: 1000mm	
	Square Front LC106L/ LC106R/ Roll Front LC106L/RF LC106R/RF	Overall Size: 1000 x 600 mm Main Bowl Size: 420 x 400 x 160 mm Second Bowl Size: N/A Material / Gauge: 18/10 0.6 Reversible / Handed: Handed Finish: Bright Tap Hole Size: 2 x 31 mm Waste Kit: WKIT05/	 Min Base Unit: 1000mm	
	LC126L/ LC126R/	Overall Size: 1200 x 600 mm Main Bowl Size: 500 x 400 x 160 mm Second Bowl Size: N/A Material / Gauge: 18/10 0.7 Reversible / Handed: Handed Finish: Bright Tap Hole Size: 2 x 31 mm Waste Kit: WKIT05/	 Min Base Unit: 1200mm	
	LC156/ LC156/RF	Overall Size: 1500 x 600 mm Main Bowl Size: 420 x 400 x 160 mm Second Bowl Size: N/A Material / Gauge: 18/10 0.7 Reversible / Handed: - Finish: Bright Tap Hole Size: 2 x 31 mm Waste Kit: WKIT05/	 Min Base Unit: 1500mm	
	LC63/	Overall Size: 1600 x 533 mm (63"x 21") Main Bowl Size: 420 x 350 x 160 mm Second Bowl Size: N/A Material / Gauge: 18/10 0.7 Reversible / Handed: - Finish: Bright Tap Hole Size: 2 x 31 mm Waste Kit: WKIT05/	 Min Base Unit: 63"	

Product	Code	Description	Side Profile	Pack Available
0.9 Gauge 	Square Front LN105L/ LN105R/ Roll Front LN105/RF	Overall Size: 1000 x 500 mm Main Bowl Size: 420 x 350 x 180 mm Second Bowl Size: N/A Material / Gauge: 18/10 0.9 Reversible / Handed: Handed Finish: Bright Tap Hole Size: 2 x 31 mm Waste Kit: WKIT05/	Min Base Unit: 1000 	
0.9 Gauge 	Square Front LN106L/ LN106R/ Roll Front LN106/RF	Overall Size: 1000 x 600 mm Main Bowl Size: 420 x 400 x 180 mm Second Bowl Size: N/A Material / Gauge: 18/10 0.9 Reversible / Handed: Handed Finish: Bright Tap Hole Size: 2 x 31 mm Waste Kit: WKIT05/	Min Base Unit: 1000 	
0.9 Gauge 	LN126L/ LN126R/	Overall Size: 1200 x 600 mm Main Bowl Size: 500 x 400 x 180 mm Second Bowl Size: N/A Material / Gauge: 18/10 0.9 Reversible / Handed: Handed Finish: Bright Tap Hole Size: 2 x 31 mm Waste Kit: WKIT05/	Min Base Unit: 1200 	
	Square Front LC156L/ LC156R/ Roll Front LC156L/RF LC156R/RF	Overall Size: 1500 x 600 mm Main Bowl Size: 420 x 400 x 160 mm Second Bowl Size: 420 x 400 x 160 mm Material / Gauge: 18/10 0.7 Reversible / Handed: Handed Finish: Bright Tap Hole Size: 2 x 31 mm Waste Kit: WKIT05/ x 2	Min Base Unit: 1500 	

Accessories Available:



KA12 Draining Basket
Stainless Steel

composite sink materials & colours

Neostone

Neostone incorporates 70% quartz particles creating a unique granite-effect finish which is incredibly durable, highly scratch resistant and can withstand temperatures of up to 230 degrees centigrade.



Velstra

Velstra, a similarly advanced material is equally practical offering both durability and superior hygienic properties in a range of solid colours.


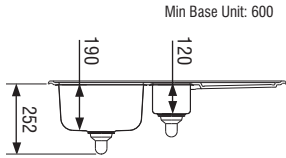


* Gemini Model Only

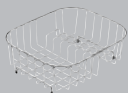


gemini



Product	Code	Description	Side Profile	Pack Available
	<p>Neostone NGE985L/ NGE985R/</p> <p>Velstra VGE985L/ VGE985R/</p> <p>Please quote colour code when ordering</p>	<p>Overall Size: 985 x 508 mm Main Bowl Size: 350 x 420 x 190 mm Second Bowl Size: 156 x 352 x 120 mm Bowl Material / Gauge: 18/10 0.9 Reversible / Handed: Handed Finish: Neostone or Velstra Tap Hole Size: 1 x 35 mm Waste Kit: Included - WKIT01/</p>	<p>Min Base Unit: 600</p> 	<p>Tap Centre</p> <p>NGE985/TC (TAD2CM/) VGE985/TC (TAD2CM/)</p>

Accessories Available:



KA12 Draining Basket
Stainless Steel



KA28 Strainer Bowl
Stainless Steel or Acrylic



KA29 Drainer Tray
Acrylic




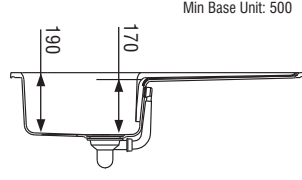

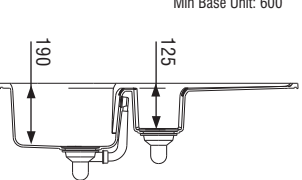
TAD2CM/
Included with Tap Centre packs where stated or available separately

Neostone colours available:
Granite White (GW), Granite Black (GB), Granite Grey (GG), Granite Oatmeal (GM).

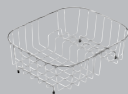
Velstra colours available:
White (WH), Black (BL), Pewter (PW), Onyx (OX), Silver (SI), Cream (CR).

verona



Product	Code	Description	Side Profile	Pack Available
	Neostone NVN1/ Velstra VVN1/ Please quote colour code when ordering	Overall Size: 900 x 508 mm Main Bowl Size: 367 x 425 x 190 mm Second Bowl Size: N/A Material: Neostone or Velstra Reversible / Handed: Reversible Tap Hole Size: N/A Waste Kit: Included - WKIT09/	 Min Base Unit: 500	Chef Centre NVN1/CC & VVN1/CC Includes: KA01/ Food Preparation Board KA12/ Draining Basket TAD2CM/ Chrome Tap
	Neostone NVN2/ Velstra VVN2/ Please quote colour code when ordering	Overall Size: 900 x 508 mm Main Bowl Size: 325 x 425 x 190 mm Second Bowl Size: 150 x 350 x 125 mm Material: Neostone or Velstra Reversible / Handed: Reversible Tap Hole Size: N/A Waste Kit: Included - WKIT04/	 Min Base Unit: 600	Chef Centre NVN2/CC & VVN2/CC Includes: KA01/ Food Preparation Board KA12/ Draining Basket TAD2CM/ Chrome Tap

Accessories Available:



KA12 Draining Basket
Stainless Steel
NVN2 & VVN2 only



KA11 Food Preparation Board
Wooden



TAD2CM/
Included with Chef Centre packs or available separately

Neostone colours available:
Granite White (GW), Granite Black (GB), Granite Grey (GG), Granite Oatmeal (GM).

Velstra colours available:
White (WH), Champagne (CH).

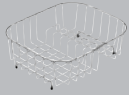
highlight



Product	Code	Description	Side Profile	Pack Available
	Velstra VHL1/ Please quote colour code when ordering	Overall Size: 980 x 508 mm Main Bowl Size: 400 x 433 x 180 mm Second Bowl Size: N/A Material: Velstra Reversible / Handed: Reversible Tap Hole Size: 2 x 35 mm Waste Kit: Included - WKIT09/	 Min Base Unit: 600	

Product	Code	Description	Side Profile	Pack Available
	Neostone NHL2/ Velstra VHL2/ Please quote colour code when ordering	Overall Size: 980 x 508 mm Main Bowl Size: 350 x 433 x 180 mm Second Bowl Size: 154 x 298 x 114 mm Material: Neostone or Velstra Reversible / Handed: Reversible Tap Hole Size: 2 x 35 mm Waste Kit: Included - WKIT04/	 Min Base Unit: 600	Chef Centre VHL2/CC Includes: KA12/ Draining Basket KA17/ Strainer Bowl TAD2CM/ Chrome Tap Chef centre not available in Neostone

Accessories Available:



KA12 Draining Basket
Stainless Steel



KA17 Strainer Bowl
White / Acrylic included
with 1 1/2 bowl sink



KA11 Food Preparation Board
Wooden




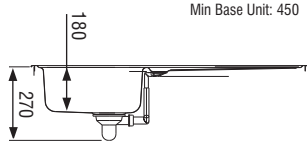

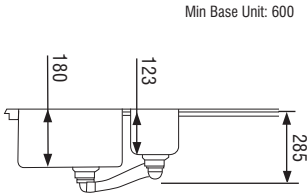
TAD2CM/
Included with Chef Centre
packs or available separately

Neostone colours available:
Granite White (GW), Granite Black (GB), Granite Grey (GG),
Granite Oatmeal (GM).

Velstra colours available:
White (WH), Champagne (CH)
Black (BL), Cream (CR) - 1.5 bowl only

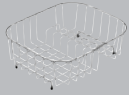
uniline



Product	Code	Description	Side Profile	Pack Available
	Neostone NUN9501/ Velstra VUN9501/ Please quote colour code when ordering	Overall Size: 950 x 508 mm Main Bowl Size: 370 x 424 x 180 mm Second Bowl Size: N/A Material: Neostone or Velstra Reversible / Handed: Reversible Tap Hole Size: 2 x 35 mm Waste Kit: Included - WKIT09/	 Min Base Unit: 450	Chef Centre VUN9051/CC & NUN9051/CC Includes: KA12SS/ Draining Basket KA11/ Food Preparation Board TAM1CM/ Chrome Tap
	Neostone NUN9502/ Velstra VUN9502/ Please quote colour code when ordering	Overall Size: 950 x 508 mm Main Bowl Size: 370 x 424 x 180 mm Second Bowl Size: 156 x 300 x 123 mm Material: Neostone or Velstra Reversible / Handed: Reversible Tap Hole Size: 2 x 35 mm Waste Kit: Included - WKIT04/	 Min Base Unit: 600	Chef Centre VUN9052/CC & NUN9052/CC Includes: KA12SS/ Draining Basket KA11/ Food Preparation Board KA26AC/ Strainer Bowl TAM1CM/ Chrome Tap

Product	Code	Description	Side Profile	Pack Available
	Velstra VUN1160/ Please quote colour code when ordering	Overall Size: 1160 x 508 mm Main Bowl Size: 408 x 424 x 180 mm Second Bowl Size: 272 x 424 x 160 mm Material: Velstra Reversible / Handed: Reversible Tap Hole Size: 2 x 35 mm Waste Kit: Included - WKIT03/		

Accessories Available:



KA12 Draining Basket
Stainless Steel



KA26 Strainer Bowl
Stainless Steel or Acrylic
(NUN9502/ & VUN9502/ only)



KA11 Food Preparation Board
Wooden



TAM1CM/
Included with Chef Centre packs or available separately

Neostone colours available:
Granite White (GW), Granite Black (GB), Granite Grey (GG), Granite Oatmeal (GM).

Velstra colours available:
White (WH), Champagne (CH).

elite



Product	Code	Description	Side Profile	Pack Available
	Neostone NEL860/ Velstra VEL860/ Please quote colour code when ordering	Overall Size: 860 x 435 mm Main Bowl Size: 350 x 350 x 150 mm Second Bowl Size: N/A Material: Neostone or Velstra Reversible / Handed: Reversible Tap Hole Size: 2 x 35 mm Waste Kit: Included - WKIT07/		

Accessories Available:



KA02 Draining Basket
White



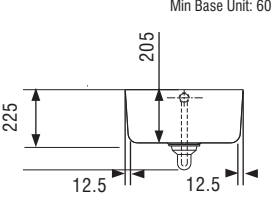
KA19 Scrap Tray
Acrylic
(Included with sink)

Neostone colours available:
Granite White (GW), Granite Black (GB), Granite Grey (GG), Granite Oatmeal (GM).

Velstra colours available:
White (WH), Champagne (CH).

belfast



Product	Code	Description	Side Profile	Pack Available
	<p>CBL595WH/</p>	<p>Overall Size: 595 x 475 mm Main Bowl Size: 555 x 435 x 205 mm Second Bowl Size: N/A Material: Ceramic Reversible / Handed: N/A Tap Hole Size: N/A Waste Kit: WKIT15/ or WKIT15/BS Waste kit is available in Chrome or Brass</p>		

aquanomic taps



With an eye to the future, Leisure Sinks have put together a range of kitchen taps under the Aquanomic name, already approved to meet the latest proposed building regulations in accordance with the code for sustainable homes, set by the government.

Homes with higher ratings will be more energy efficient, and for the home owner there is less waste and lower running costs. Fitted with a flow restrictor, the Aquanomic taps have been developed to help comply with the water category of the code by restricting the flow rate to 3.8ltrs per minute per tap. The amount of water usage in the home is monitored and by using an Aquanomic tap, will help comply with these regulations.



aquanomic



AQUANOMIC AQUAFLUX
TFL1CM/-AN

Available in: Chrome
Minimum pressure: 2.0 bar (3m head)
Maximum pressure: 5.5 bar

aquanomic



AQUANOMIC AQUAFLOW
TAF1CM/-AN

Available in: Chrome
Minimum pressure: 2.0 bar (20m head)
Maximum pressure: 5.5 bar

aquanomic



AQUANOMIC AQUADISC 2
TAD2CM/-AN

Available in: Chrome
Minimum pressure: 2.0 bar (20m head)
Maximum pressure: 5.5 bar

aquanomic



AQUANOMIC DECKMIXER
TDM1CM/-AN

Available in: Chrome
Minimum pressure: 2.0 bar (20m head)
Maximum pressure: 5.5 bar

aquanomic



AQUANOMIC PILLAR TAP
TPT1CM/-AN

Available in: Chrome
Minimum pressure: 0.5 bar (5m head)
Maximum pressure: 5.5 bar

taps



Combining style, quality and engineering excellence, Leisure Sinks offers a vast selection of taps for you to choose from, with styles ranging from 'über' cool to the perfectly practical there's sure to be a design to match your choice of sink.

AQUAFLOW 3
TAF3CM/

Available in: Chrome
Minimum pressure: 0.3 bar (3m head)
Maximum pressure: 5.0 bar



AQUAFLOW 5
TAF5LLCM/

Available in: Chrome
Minimum pressure: 0.3 bar (3m head)
Maximum pressure: 5.0 bar



AQUAFLUX
TFL1CM/

Available in: Chrome
Minimum pressure: 0.3 bar (3m head)
Maximum pressure: 5.0 bar



Also available as an Aquanomic tap
aquanomic
see page 24

**SPA FILTER TAP -
TRADITIONAL**
TSA1/

Available in: Chrome (CM)
Brushed Finish (BF)
Minimum pressure: 0.3 bar (3m head)
Maximum pressure: 5.0 bar



AQUAVERVE
TVR1/

Available in: Chrome (CM)
Brushed Finish (BF)
Minimum pressure: 0.2 bar (2m head)
Maximum pressure: 5.5 bar



NEW

AQUACURVE
TCR1CM/

Available in: Chrome
Minimum pressure: 0.3 bar (3m head)
Maximum pressure: 5.5 bar



NEW

AQUACLASSIC
TAC1CM/

Available in: Chrome
Minimum pressure: 0.3 bar (3m head)
Maximum pressure: 5.0 bar



AQUAMIX
TAM1CM/

Available in: Chrome
Minimum pressure: 0.2 bar (2m head)
Maximum pressure: 5.0 bar



AQUAREACH
TAR1CM/

Available in: Chrome
Minimum pressure: 0.5 bar (5m head)
Maximum pressure: 5.0 bar



Also available as an Aquanomic tap
aquanomic
see page 24

AQUADISC 2
TAD2/

Available in: Chrome (CM)
Brushed (BF)
Minimum pressure: 0.3 bar (3m head)
Maximum pressure: 5.0 bar



Long Lever Handles

PILLAR LEVER
TPT1CM/LV

Long Lever Handles - TPT1CM/LLV

Available in: Chrome
Minimum pressure: 0.1 bar (1m head)
Maximum pressure: 5.0 bar



Also available as an Aquanomic tap
aquanomic
see page 24

PILLAR
TPT1CM/

Available in: Chrome
Minimum pressure: 0.1 bar (1m head)
Maximum pressure: 5.0 bar



DECK MIXER
TDM1CM/LV

Available in: Chrome
Minimum pressure: 0.1 bar (1m head)
Maximum pressure: 5.0 bar



Also available as an Aquanomic tap
aquanomic
see page 24

DECK MIXER
TDM1CM/

Available in: Chrome
Minimum pressure: 0.1 bar (1m head)
Maximum pressure: 5.0 bar



SOAP DISPENSER
SOAPDIS/

Available in: Chrome (CM)
or Brushed Finish (BF)



RANGEmaster
sinks & taps



MAKE BRITAIN'S NO.1 SINK MANUFACTURER YOUR NO.1 SINK MANUFACTURER.

22 new sink products and 19 new taps
New enhanced Micro-sheen finish
Subtle Ground Edge finish
Fitted clips and seals for easy installation
25 year guarantee on many sinks

 Search Rangemaster UK

www.rangemastersinks.co.uk

For latest prices and delivery to your door visit MyTub Ltd - www.mytub.co.uk - info@mytub.co.uk 0844 556 1818 



An AGA Company

Meadow Lane
Long Eaton
Nottingham
NG10 2GD
England

For trade enquiries: +44 (0)115 946 4000
Fax: +44 (0)115 973 6602
E-mail: tradesales@rangemaster.co.uk

For consumer enquiries: +44 (0)1926 457400
Fax: +44 (0)1926 450526
E-mail: consumers@rangemaster.co.uk

www.leisuresinks.co.uk
www.rangemaster.co.uk

Leisure Sinks continuously seeks improvements in specification, design and production of products and thus, alterations take place periodically. Whilst every effort is made to produce up-to-date literature, this brochure should not be regarded as an infallible guide to current specification, nor does it constitute an offer for the sale of any particular product.

Part of the
AGA RANGEMASTER
Group



March 2012
03/12/LSRB

For latest prices and delivery to your door visit MyTub Ltd - www.mytub.co.uk - info@mytub.co.uk 0844 556 1818

