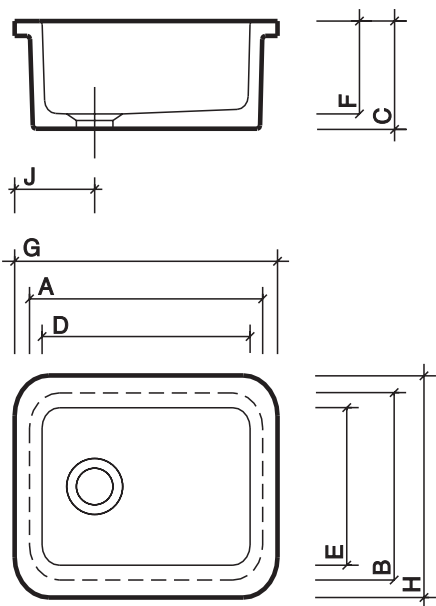


laboratory

waste hole rebated for acid-resistant waste fitting
glazed all round and reversible



Flanges laboratory sink with acid-resistant waste



Ref No	A	B	C	D	E	F	G	H	J
FC1414WH	390	255	160	360	235	135	450	325	145
FC1415WH	420	315	160	390	290	135	480	380	145

to specify/order:

Please use the eight character reference shown below.

laboratory sink with flanged rim, without overflow:

390 x 255 x 160mm
420 x 315 x 160mm

FC1414WH
FC1415WH

waste

Acid resistant waste 1 1/2",
unslotted with plug:

WF4353XX

Acid resistant waste 1 1/2",
unslotted with flat flange with
125mm overflow tube:

WF4349XX

applications

Commercial, Education, Healthcare, Other.

material

Enamelled fireclay.

colour

White WH.

fixings

Support provided on site to fit sink to bench top.

All measurements shown are in millimetres. Drawing sizes are not to scale.

Lawton Road, Alsager, Stoke-on-Trent ST7 2DF, UK
Tel: +44(0) 1270 879777 Fax: +44(0) 1270 873864
www.twyfordbathrooms.com UK Technical Helpline Tel: 0870 840 0437 Fax: 0870 840 0438

Twyford
bathrooms