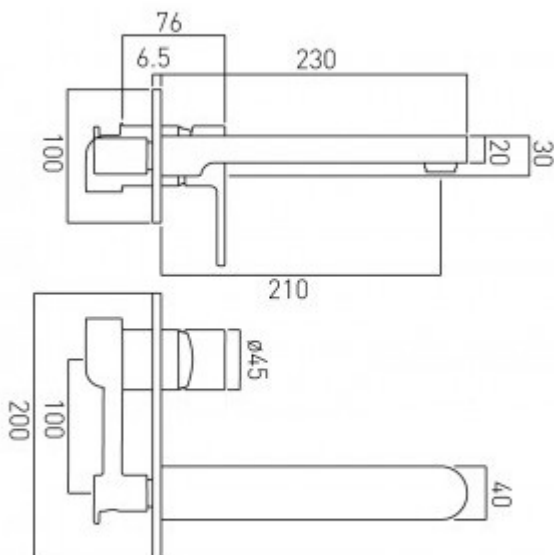




technical drawing



**description:**

2 hole basin mixer  
single lever  
wall mounted  
with oval backplate  
with water flow aerator  
ceramic cartridge CAR-K40A  
2 x 1/2" female connection inlets  
concealed parts clearance 55mm

**finishes:**

chrome

**minimum operating pressure:** 0.2 bar LP

**Eco** **flow regulator:** FR-100/5-PLA

**guarantee:**

12 year guarantee

VADO wedmore road cheddar somerset england bs27 3eb

tel 01934 744466 fax 01934 744345 sales@vado-uk.com www.vado-uk.com