

MAINTENANCE

If any of the fittings begin to drip:

1. Turn off the water supply.
2. Remove indices cap (7) and screw (6), and then remove handle (5) by pulling from valve (4). For the single lever mixer, remove cap (7) and screw (6), and then handle (5). Unscrew shroud (12) and retaining nut (13) and then cartridge (14) or valve (4) can be removed.
3. Once removed, carefully clean seating, rubber washer and ceramic disc.
4. Replace all of the above then turn on the water supply.
5. If problem persists contact our helpline quoting the product code.

AFTERCARE INSTRUCTIONS

Your fitting has a high quality finish and should be treated with care to preserve the visible surfaces. All surface finishes will wear if not cleaned correctly, the only safe way to clean your mixer is to wipe with a soft damp cloth. Stains can be removed using washing up liquid. All bath cleaning powders and liquids will damage the surface of your fitting - even non-scratch cleaners.

GUARANTEE

All products are manufactured to the highest standards and a 5 year guarantee covers any defect in manufacture.

NOTE: The 5 year guarantee on the valves is invalidated if damaged by any waterborne debris.

In the interests of continuous product development we reserve the right to alter specification as necessary.

PRODUCT CODES:

DUC ½ C, DUC ¾ C, DUC BF C, DUC BSM C, DUC BAS2 C
DUX ½ C, DUX ¾ C, DUX BF C, DUX BSM C, DUX BAS2 C
DUL ½ C, DUL ¾ C, DUL BF C, DUL BSM C, DUL BAS C

TELEPHONE HELP LINE: 0844 701 6273

Bristan Group Ltd
Birch Coppice Business Park
Dordon
Tamworth
Staffordshire
B78 1SG
UK
A Masco Company

Web Site: www.bristan.com
Telephone: 0844 701 6274
Facsimile: 0844 701 6275
Email: enquire@bristan.com

BRISTAN

Design Utility Bathroom Ranges (Club, Crosshead and Lever)

Fitting Instructions



Before starting any installation project, consider 'safety' first. Look for the 'safety note' and read the safety advice.

Please leave these instructions with the user.

WATER PRESSURE

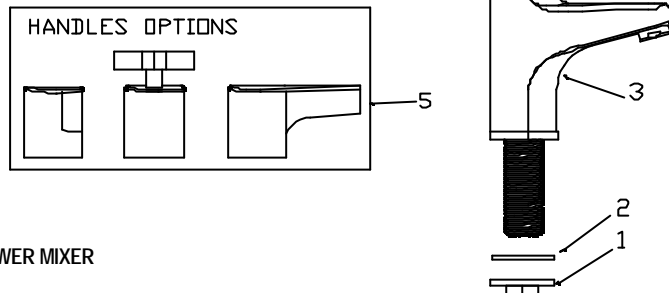
These taps are suitable for use at all supply pressures. If installed at low pressure (tank fed), then the minimum distance from the outlet of the nozzle to the underside of the cold tank should be approximately 2 metres to ensure adequate performance. For the bath shower mixer this needs to be increased to 3 metres to ensure adequate performance. The taps should be installed in compliance with Water Regulations. For further details contact your Local Water Authority.

BASIN AND BATH TAPS

1. Identify all components and check for completeness, particularly before arranging fitting.
2. Install the taps (3) to the basin/bath. The backnut (1) and backnut washer (2) are used under the basin/bath to secure the tap to the surfaces of basin/bath.
3. Connect the hot and cold water supplies to the taps.
4. Turn on the water supplies. Open both taps letting the water flow for a few minutes to check all joints and connections for leaks.
5. See the back page for aftercare instructions.

CONTENTS

- | | |
|-------------------|------|
| 1. Backnut | (x2) |
| 2. Backnut Washer | (x2) |
| 3. Body | (x2) |
| 4. Valve | (x2) |
| 5. Handle Screw | (x2) |
| 6. Handle | (x2) |
| 7. Indices | (x2) |



BATH FILLER AND BATH SHOWER MIXER

1. Identify all components and check for completeness, particularly before arranging fitting.
2. Install the mixer body (3) to the bath using the backnuts (1) and backnut washers (2) provided under the bath.

For bath shower mixer only:

3. Fit the hose (9) to the mixer (3) underneath the spout.



Prior to drilling into walls, check there are no hidden electrical wires, cables or water supply pipes with the aid of an electronic detector. If you use power tools do not forget to:

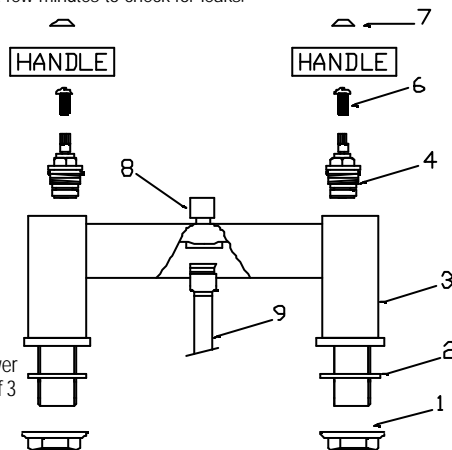
- Wear eye protection
- Unplug equipment after use

4. Fix the wall bracket to the wall ensuring that the handset and hose will reach it.
5. Connect the hot and cold water supplies to the mixer and turn water supplies on.
6. Fully open the valves (4) by turning handles (5), letting it run for a few minutes to check for leaks.
7. Operate the mixer in both bath and shower mode. To switch from bath to shower mode, pull the diverter knob (8) up. After use, the mixer automatically reverts to the bath filling mode.
8. See the back page for aftercare instructions.

CONTENTS

- | | |
|---------------------------------------------|------|
| 1. Backnut | (x2) |
| 2. Backnut Washer | (x2) |
| 3. Body | (x1) |
| 4. Valve | (x2) |
| 5. Handle | (x2) |
| 6. Handle Screw | (x2) |
| 7. Indices | (x2) |
| 8. Diverter Knob for Bath Shower Mixer only | (x1) |
| 9. Hose | (x1) |

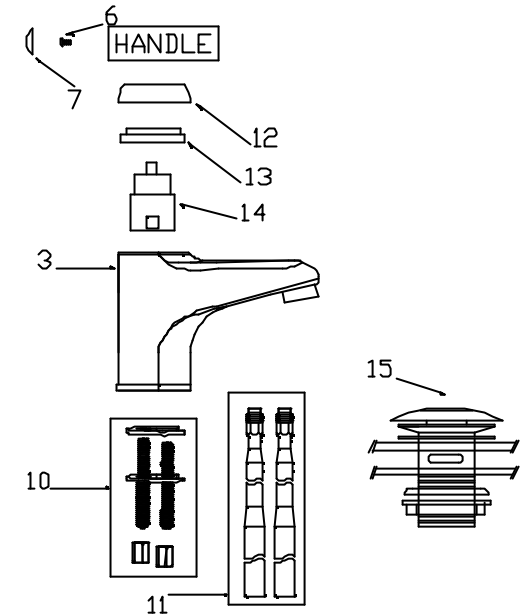
Please note: the bath shower mixer requires a minimum of 3 metres achieve adequate performance.



SINGLE LEVER BASIN MIXER

1. Identify all components and check for completeness, particularly before arranging fitting.
2. Install the mixer (3) to the basin. Secure the mixer to the surface of basin using the fixing kit (10).
3. Screw in connecting copper tail pipes (11) to the base of the mixer by hand and then connect the hot and cold water supplies.
4. Fit the waste (15), with the flat washer below and the shaped washer above the basin/bidet. It is advised that a silicon sealant be applied to both sealing faces of washers.
5. Turn on the water supplies. Lift and turn handle both ways for a few minutes letting the water flow, to check for leaks.
6. See over page for aftercare instructions.

- | | |
|-------------------|------|
| 3. Body | (x1) |
| 5. Handle | (x1) |
| 6. Handle Screw | (x1) |
| 7. Indices | (x1) |
| 10. Fixing Kit | (x1) |
| 11. Tail Pipes | (x2) |
| 12. Shroud | (x1) |
| 13. Retaining Nut | (x1) |
| 14. Cartridge | (x1) |
| 15. Waste | (x1) |

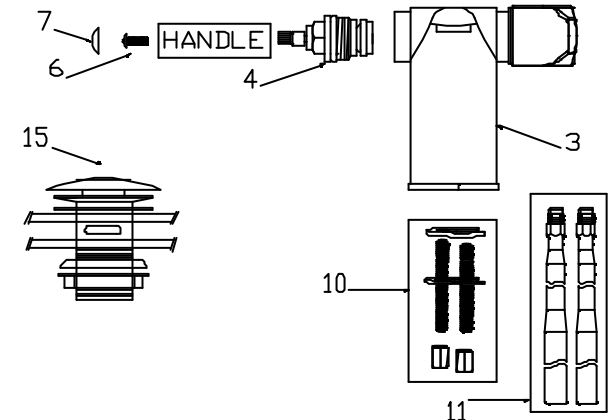


TWO HANDLE BASIN MIXER

1. Identify all components and check for completeness, particularly before arranging fitting.
2. Install the mixer (3) to the basin. Secure the mixer to the surface of basin using the fixing kit (10).
3. Screw in connecting copper tail pipes (11) to the base of the mixer by hand and then connect the hot and cold water supplies.
4. Fit the waste (15), with the flat washer below and the shaped washer above the basin/bidet. It is advised that a silicon sealant be applied to both sealing faces of washers. 5. Turn on the water supplies. Lift and turn handle both ways for a few minutes letting the water flow, to check for leaks.
6. See over page for aftercare instructions.

CONTENTS

- | | |
|-----------------|------|
| 3. Body | (x1) |
| 4. Valve | (x2) |
| 5. Handle | (x2) |
| 6. Handle Screw | (x2) |
| 7. Indices | (x2) |
| 10. Fixing Kit | (x1) |
| 11. Tail Pipes | (x2) |
| 15. Waste | (x1) |



Please Note: In the unlikely event you find a part missing please contact our Customer Service Helpline on 0844 701 6273 or email enquire@bristan.com for immediate despatch of part.