



For latest prices and delivery to your door visit MyTub Ltd 0845 303 8383 www.mytub.co.uk

GUARANTEE

All products are manufactured to the highest standards and a 5 year guarantee covers any defect in manufacture.

NOTE: The 5 year guarantee on the shower rose is invalidated if damaged by any waterborne debris.

In the interests of continuous product development we reserve the right to alter specification as necessary.

PRODUCT CODE: FH112 C

TELEPHONE HELPLINE: 0844 701 6273

Bristan Group Ltd
Birch Coppice Business Park
Dordon
Tamworth
Staffordshire
B78 1SG
UK
A Masco Company

Web Site: www.bristan.com
Telephone: 0844 701 6274
Facsimile: 0844 701 6275
Email: enquire@bristan.com

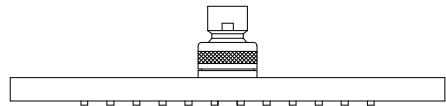
(FI FH112)

(Rev. D1)

(SX)



10" (250mm) Luxury Rub Clean Shower Rose



Fitting Instructions & Contents List

Please keep these instructions for future reference and request of replacement parts.

WATER PRESSURE

This product is suitable for use at all supply pressures. This product is designed to be fitted to shower arms with a male ½" BSP thread.

The product should be installed in compliance with Water Regulations. For further details contact you're Local Water Authority.

INSTALLATION

1. To replace the shower head, simply unscrew current rose and fit new rose (3) with the washer (2) in position between the rose/swivel (1) and shower arm.
2. Check joints/connections for any leakage, if this occurs check the condition of the washer.
3. Replace if necessary or reseal correctly then retighten.

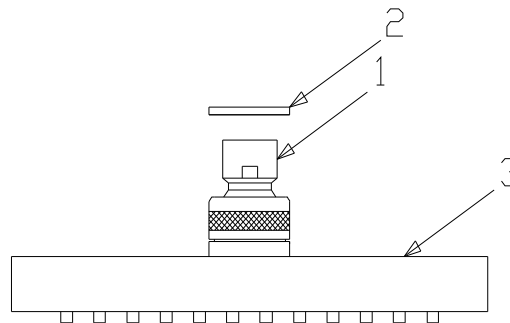
MAINTENANCE

In order to maintain optimum spray we advise that the rub clean nozzles on the rose be regularly cleaned, particularly in hard water areas.

Please Note: In the unlikely event you find a part missing please contact our Customer Service Helpline on 0844 701 6273 or email enquire@bristan.com for immediate despatch of part.

CONTENTS

- | | |
|------------------|------|
| 1. Swivel | (x1) |
| 2. Rubber Washer | (x1) |
| 3. Shower Rose | (x1) |



AFTERCARE INSTRUCTIONS

Your fitting has a high quality finish and should be treated with care to preserve the visible surfaces. All surface finishes will wear if not cleaned correctly, the only safe way to clean your mixer is to wipe with a soft damp cloth. Stains can be removed using washing up liquid. All bath cleaning powders and liquids will damage the surface of your fitting even the non-scratch cleaners.