

AFTERCARE INSTRUCTIONS

Your fitting has a high quality finish and should be treated with care to preserve the visible surfaces. All surface finishes will wear if not cleaned correctly, the only safe way to clean your mixer is to wipe with a soft damp cloth. Stains can be removed using washing up liquid. All bath cleaning powders and liquids will damage the surface of your fitting even the non-scratch cleaners.

GUARANTEE

All products are manufactured to the highest standards and a 5 year guarantee covers any defect in manufacture.

In the interests of continuous product development we reserve the right to alter specification as necessary.

PRODUCT CODE: JS2 OUT C

TELEPHONE HELPLINE: 0844 701 6273

Bristan Group Ltd
Birch Coppice Business Park
Dordon
Tamworth
Staffordshire
B78 1SG
UK
A Masco Company

Web Site: www.bristan.com
Telephone: 0844 701 6274
Facsimile: 0844 701 6275
Email: enquire@bristan.com

(FI JS2 OUT)

(Rev. D2)

(MZ)

JS2 Wall Outlet

Fitting Instructions & Contents List

Please keep these instructions for future reference and request of replacement parts.





WATER PRESSURE

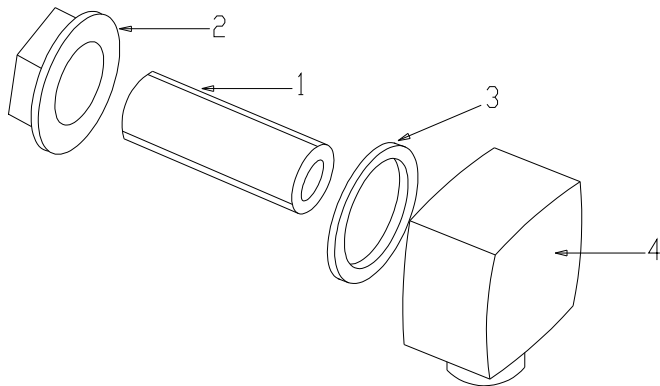
This outlet is suitable for use at all supply pressures between 0.1 and 8.0 bar. Installation of the wall outlet should be in compliance with Water Regulations. For further details contact your Local Water Authority.

INSTALLATION

1. Identify all components and check for completeness, particularly before arranging fitting.
2. The wall outlet can be fitted to a false or solid wall.
3. False wall installation:
Using the threaded fitting piece (1), back nut (2) and washer (3) mount hose outlet (4) to the wall, using thread sealing compound on the thread mating with the hose outlet (4)
4. Connect to water supply using relevant ½" BSP connector (not supplied).
5. Solid wall installation:
Attach threaded fitting piece (1) to supply pipe using relevant ½" BSP connector (not supplied), using thread sealing compound where necessary.
6. Attach hose outlet (4) to the fitting piece (1), using thread sealing compound, turn on water supply and check for leaks.
7. Turn off water supply and remove hose outlet (4).
8. Finish wall.
9. When wall is dry, attach the hose outlet (4), using the rubber washer (3) between the outlet and the wall.
10. See over the page for aftercare instructions

CONTENTS

1. Threaded Fitting Piece
2. Backnut
3. Rubber Washer
4. Wall Outlet



Please Note: In the unlikely event you find a part missing please contact our Customer Service Helpline on 0844 701 6273 or email enquire@bristan.com for immediate despatch of part.