

## AFTERCARE INSTRUCTIONS

Your fitting has a high quality finish and should be treated with care to preserve the visible surfaces. All surface finishes will wear if not cleaned correctly, the only safe way to clean your mixer is to wipe with a soft damp cloth. Stains can be removed using washing up liquid. All bath cleaning powders and liquids will damage the surface of your fitting even the non-scratch cleaners.

## GUARANTEE

All products are manufactured to the highest standards and a 5 year guarantee covers any defect in manufacture.

**NOTE:** The 5 year guarantee on the valves is invalidated if damaged by any waterborne debris.

*In the interests of continuous product development we reserve the right to alter specification as necessary.*

**PRODUCT CODE: JS2 STOP C**

**TELEPHONE HELPLINE: 0844 701 6273**

Bristan Group Ltd  
Birch Coppice Business Park  
Dordon  
Tamworth  
Staffordshire  
B78 1SG  
UK  
A Masco Company

Web Site: [www.bristan.com](http://www.bristan.com)  
Telephone: 0844 701 6274  
Facsimile: 0844 701 6275  
Email: [enquire@bristan.com](mailto:enquire@bristan.com)

(FI JS2 STOP)

(Rev. D2)

(MZ)

## JS2 Stop Cock

## Fitting Instructions & Contents List

**Please keep these instructions for future reference and request of replacement parts.**



## WATER PRESSURE

This stopcock is suitable for use at all supply pressures between 0.1 and 8.0 bar. Installation of the stopcock should be in compliance with Water Regulations. For further details contact your Local Water Authority.

This stopcock is intended to be used in conjunction with other products, such as bath spouts and spray outlets from the Bristan range in order to create a system to suit your requirements.

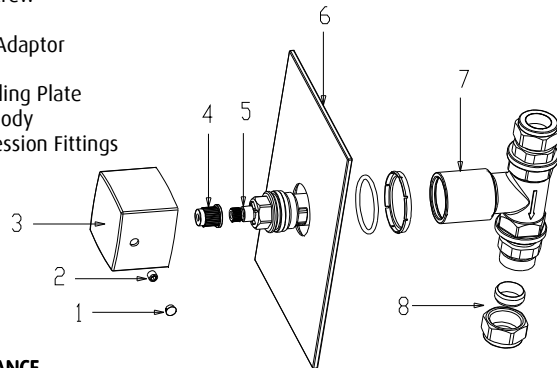
## INSTALLATION

Stopcocks are designed to be supported by rigid pipework and should be arranged in your system to provide the necessary shut off point to suit the application.

1. Identify all components and check for completeness, particularly before arranging fitting.
2. It is important to measure up the application of the stopcock(s) so that positioning will allow the concealing plate (6) to be fitted behind the handle and held in place by its integral retainer against the wall.
3. Set fitting(s) into wall and connect to water supply and outlet using the compression fittings (8).
4. Before finishing the wall, turn on water supplies to check both correct system function and for leaking from joints / connections.
5. Complete the wall finish. Once dry, run a suitable silicon sealant along the groove at the back of the concealing plate (6) and then slide plate onto stopcock body. Fit the spline adaptor (4) and handle (3) to the valve spindle (5) and secure using the grub screw (2) in the desired orientation. Finish by inserting cap (1).
6. See over the page for aftercare instructions

## CONTENTS

1. Cap
2. Grub Screw
3. Handle
4. Spline Adaptor
5. Valve
6. Concealing Plate
7. Valve Body
8. Compression Fittings



## MAINTENANCE

If the fitting begins to drip:

1. Turn off the water supply.
2. Remove handle cap (1) and loosen grub screw (2).
3. Remove handle (3).
4. Unscrew valve (5) and carefully clean seating, rubber washer and ceramic disc as necessary.
5. Replace valve and handle. Turn on the water supply.
6. If problem persists contact our helpline quoting the product code.

**Please Note:** In the unlikely event you find a part missing please contact our Customer Service Helpline on 0844 701 6273 or email [enquire@bristan.com](mailto:enquire@bristan.com) for immediate despatch of part.