



For latest prices and delivery to your door visit MyTub Ltd 0845 303 8383 www.mytub.co.uk

AFTERCARE INSTRUCTIONS

Your fitting has a high quality finish and should be treated with care to preserve the visible surfaces. All surface finishes will wear if not cleaned correctly, the only safe way to clean your mixer is to wipe with a soft damp cloth. Stains can be removed using washing up liquid. All bath cleaning powders and liquids will damage the surface of your fitting - even non-scratch cleaners.

GUARANTEE

All products are manufactured to the highest standards and a 5 year guarantee covers any defect in manufacture.

NOTE: The 5 year guarantee on the valves is invalidated if damaged by any waterborne debris.

In the interests of continuous product development we reserve the right to alter specification as necessary.

PRODUCT CODES: MLK 1/2 C, MLK 3/4 C, MLK BF C, MLK BSM C, MLK BAS C, MLK BASNW C, MLK BID C, MLK 3HWMBF C, MLK 3HWMBAS C and MLK SB C

TELEPHONE HELPLINE: 0844 701 6273

Bristan Group Ltd
Birch Coppice Business Park
Dordon
Tamworth
Staffordshire
B78 1SG
UK
A Masco Company

Web Site: www.bristan.com
Telephone: 0844 701 6274
Facsimile: 0844 701 6275
Email: enquire@bristan.com



Moloko Range

Fitting Instructions



Before starting any installation project, consider 'safety' first. Look for the 'safety note' and read the safety advice.

Please leave these instructions with the user.

WATER PRESSURE

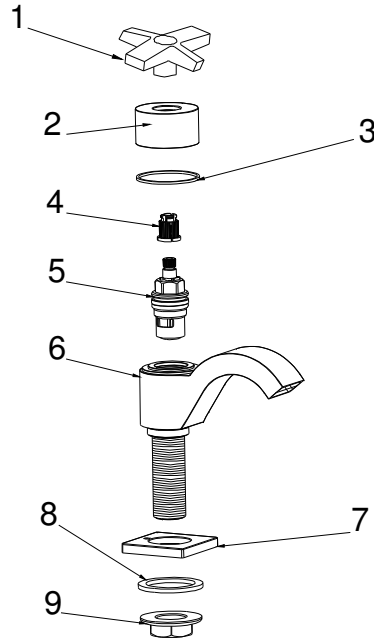
These taps are suitable for use at all supply pressures. If installed at low pressure (tank fed), then the minimum distance from the outlet of the nozzle to the underside of the cold tank should be approximately 2 metres to ensure adequate performance. The taps should be installed in compliance with Water Regulations. For further details contact you're Local Water Authority.

BASIN AND BATH TAPS

1. Identify all components and check for completeness, particularly before arranging fitting.
2. Install the taps (6) into the basin/bath. The backnut (9) and backnut washer (8) are used under the basin/bath to secure the tap to the surfaces of basin/bath with washer and plinth (7) positioned above.
3. Connect the hot and cold water supplies.
4. Turn on the water supplies. Open both taps letting the water flow for a few minutes to check all joints and connections for leaks.
5. See the back page for aftercare instructions.

CONTENTS

1. Handle	(x2)
2. Shroud	(x2)
3. Indices	(x2)
4. Spline Adaptor	(x2)
5. Valve	(x2)
6. Body	(x2)
7. Plinth	(x2)
8. Backnut Washer	(x2)
9. Backnut	(x2)



MAINTENANCE FOR 3 HOLE WALL MOUNTED BASIN MIXER AND BATH FILLER

If any of the fittings begin to drip:

1. Turn off the water supply.
2. Remove handle (1) by pulling from spline adaptor (4). Remove backplates/plinths (7) then unscrew handle shroud (2) and valve shroud (23), also removing indices (3). The shroud connector (24) may then be unscrewed from valve.
3. Remove valve clip and then unscrew valve (5). Once removed, carefully clean seating and all exposed parts.
4. Replace all of the above then turn on the water supply.
5. If problem persists contact our helpline quoting the product code.

MAINTENANCE FOR SIDE BODIES

If any of the fittings begin to drip:

1. Turn off the water supply.
2. Remove handles (1) from shroud (2) by pulling from spline adaptor (4). Unscrew shrouds (2) and (23), being careful to retain indices (3). Remove plinth (7) and washer if necessary.
3. Remove indice and unscrew valve. Carefully clean valve, seal and seating.
4. Replace all of the above then turn on the water supply.
5. If problem persists contact our helpline quoting the product code.

MAINTENANCE FOR ALL REMAINING PURE PRODUCTS

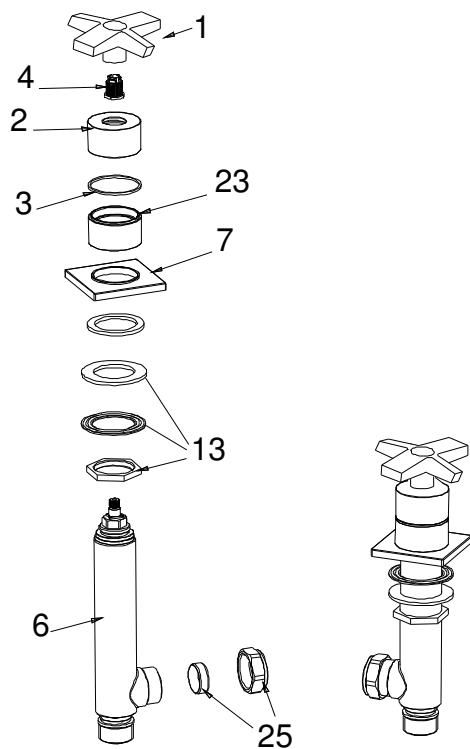
If any of the fittings begin to drip:

1. Turn off the water supply.
2. Remove handles (1) from shroud (2) by pulling from spline adaptor (4). Unscrew shroud from valve (5) and then remove indices (3), spline adaptor (4) and valve (5).
3. Once removed, carefully clean seating, rubber washer and ceramic disc.
4. Replace all of the above then turn on the water supply.
5. If problem persists contact our helpline quoting the product code.

1. Identify all components and check for completeness.
2. Fit the side bodies (6) to the bath using the shrouds (23), plinth (7) and washer above, with the washers and nuts from the fixing kit (13) below the bath.
3. Fit the indices (3) and valve shrouds (2) to the valves (some adjustment of the nuts below the bath may be required to get the correct fit).
4. Then fit the handles (1) to the side bodies making sure the spline adaptor (2) are fitted to the valve splines first.
5. Connect the side bodies (6) to the chosen outlet using suitable lengths of 22mm pipe (not supplied), the 22mm compression fittings (25) and the connections supplied with the chosen outlet fitting.
6. Connect the hot and cold water supplies to the side body inlets.
7. Fully open both valves letting them run for a few minutes, check all joints and connections for leaks.
8. See the back page for aftercare instructions.

CONTENTS

- | | |
|-------------------|------|
| 1. Handle | (x2) |
| 2. Shroud | (x2) |
| 3. Indices | (x2) |
| 4. Spline Adaptor | (x2) |
| 6. Body | (x2) |
| 7. Plinth | (x2) |
| 13. Fixing Kit | (x2) |
| 23. Shroud | (x2) |
| 25. Olive and Nut | (x2) |



Please Note: In the unlikely event you find a part missing please contact our Customer Service Helpline on 0844 701 6273 or email enquire@bristan.com for immediate despatch of part.

BATH FILLER AND BATH SHOWER MIXER

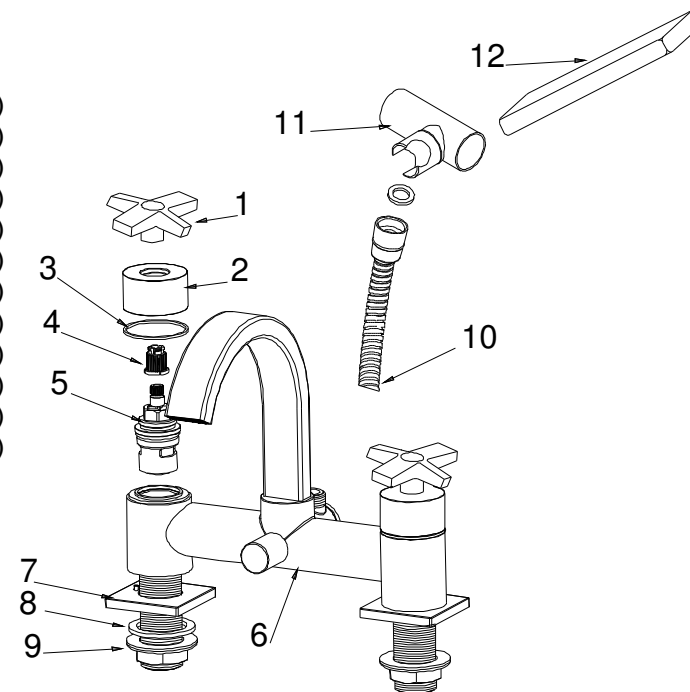
1. Identify all components and check for completeness, particularly before arranging fitting.
2. Install the mixer body (6) to the bath using the backnut (9) and backnut washer (8) between the product and surface.

For bath shower mixer only:

3. Fit the hose (10) to the mixer (6) using small sealing washers supplier.
 - Prior to drilling into walls, check there are no hidden electrical wires, cables or water supply pipes with the aid of an electronic detector. If you use power tools do not forget:
 - Wear eye protection
 - Unplug equipment after use
4. Fix the wall bracket (11) to the wall ensuring that the handset and hose (10) will reach it.
5. Connect the hot and cold water supplies and turn water supplies on.
6. Fully open the mixer by turning handle (1), letting it run for a few minutes to check for leaks.
7. Operate the mixer in both bath and shower mode. To switch from bath to shower mode, pull the diverter knob out. After use, the mixer automatically reverts to the bath filling mode.
8. See the back page for aftercare instructions.


CONTENTS

- | | |
|-------------------|------|
| 1. Handle | (x2) |
| 2. Shroud | (x2) |
| 3. Indices | (x2) |
| 4. Spline Adaptor | (x2) |
| 5. Valve | (x2) |
| 6. Body | (x1) |
| 7. Plinth | (x2) |
| 8. Backnut Washer | (x2) |
| 9. Backnut | (x2) |
| 10. Hose | (x1) |
| 11. Wall Bracket | (x1) |
| 12. Handset | (x1) |

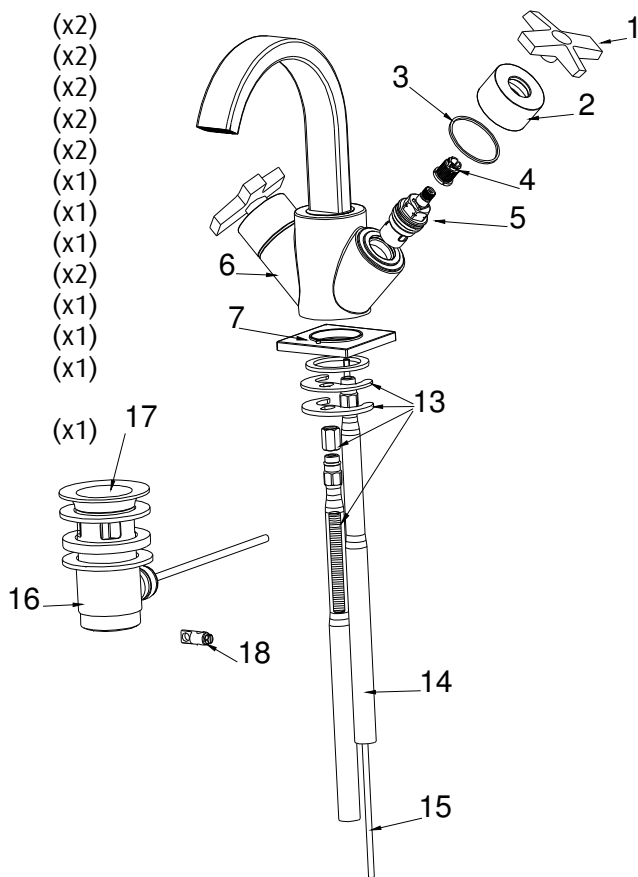


BIDET MIXER AND BASIN MIXER WITH / WITHOUT WASTE

1. Identify all components and check for completeness, particularly before arranging fitting.
2. Install the mixer (6) to the basin. Secure the mixer to the surface of basin using the plinth (7) and washer above and fixing kit (13) below the surface.
3. Screw in connecting copper tail pipes (9) **by hand only** and then connect the hot and cold water supplies.
4. If applicable, fit the pop up waste (16) with the flat washer below and the shaped washer above the basin/bidet. It is advised that a silicon sealant be applied to both sealing faces of washers. The plug (17) height can be set by adjusting the waste operating rod (15), rod connector (18) and the screw in the base of the plug. Friction for the waste mechanism can be adjusted using the waste cap on the horizontal waste rod.
5. Turn on the water supplies. Operate both handles for a few minutes letting the water flow, to check all joints and connections for leaks.
6. See the back page for aftercare instructions.

CONTENTS

- | | |
|--|------|
| 1. Handle | (x2) |
| 2. Shroud | (x2) |
| 3. Indices | (x2) |
| 4. Spline Adaptor | (x2) |
| 5. Valve | (x2) |
| 6. Body | (x1) |
| 7. Plinth | (x1) |
| 13. Fixing Kit | (x1) |
| 14. Tail Pipes | (x2) |
| 15. Pop Up Rod (If applicable) | (x1) |
| 16. Waste (If applicable) | (x1) |
| 17. Plug (If applicable) | (x1) |
| 18. Pop Up Rod Connector (If applicable) | (x1) |



3 HOLE WALL MOUNTED BASIN MIXER AND 3 HOLE WALL MOUNTED BATH FILLER

1. Identify all components and check for completeness, particularly before arranging fitting.
2. Decide on the final position of the mixer body (6). A baton within the wall structure may be required to ensure the correct depth is achieved and ensure the concealing plate fits correctly.



Prior to drilling into walls, check there are no hidden electrical wires, cables or water supply pipes with the aid of an electronic detector. If you use power tools do not forget:

- Wear eye protection
- Unplug equipment after use

3. Plumb up the hot and cold supply pipes to the required position.
4. Set fitting into wall, and then attach pipework to the hot and cold inlets using the nuts and olives (21).

5. Secure mixer body (6) using the screws and wall plugs in the fixing kit (13).

PLEASE NOTE: Before finishing wall turn on water supplies to check both correct mixer function and for leaking from connections.

6. Complete wall finish allowing access to the body assembly. Please note that it is important that the spout (20) is not damaged and that sufficient thread is left exposed to allow the spout and shroud connectors (24) to fit.

7. Fit spout (20) and the spout washer, including other parts for the spout assembly as shown in the diagram. Please use suitable sealant to secure and seal plate to wall surface.

8. Attach handles (1) by pushing on to spline adaptors (4).

9. See the back page for aftercare instructions.

CONTENTS

- | | |
|-------------------|------|
| 1. Handle | (x2) |
| 2. Shroud | (x2) |
| 3. Indices | (x2) |
| 4. Spline Adaptor | (x2) |
| 5. Valve | (x2) |
| 6. Body | (x2) |
| 7. Plinth | (x2) |
| 8. Backnut Washer | (x2) |
| 9. Backnut | (x2) |

