



## AFTERCARE INSTRUCTIONS

Your fitting has a high quality finish and should be treated with care to preserve the visible surfaces. All surface finishes will wear if not cleaned correctly, the only safe way to clean your mixer is to wipe with a soft damp cloth. Stains can be removed using washing up liquid. All bath cleaning powders and liquids will damage the surface of your fitting, even the non-scratch cleaners.

## GUARANTEE

All products are manufactured to the highest standards and a 5 year guarantee covers any defect in manufacture.

**NOTE:** The 5 year guarantee on the valves is invalidated if damaged by any waterborne debris.

*In the interests of continuous product development we reserve the right to alter specification as necessary.*

**PRODUCT CODE: CL FMBF C**

**TELEPHONE HELPLINE: 0844 701 6273**

Bristan Group Ltd  
Birch Coppice Business Park  
Dordon  
Tamworth  
Staffordshire  
B78 1SG  
UK  
A Masco Company

Web Site: [www.bristan.com](http://www.bristan.com)  
Telephone: 0844 701 6274  
Facsimile: 0844 701 6275  
Email: [enquire@bristan.com](mailto:enquire@bristan.com)

(FI CL FMBF)

(Rev. D2)

(MZ)

# Chill Floor Mounted Bath Filler

## Fitting Instructions & Contents List

**Please keep these instructions for future reference and request of replacement parts.**



## WATER PRESSURE

This mixer is suitable for use at a minimum supply pressure of 1.5 bar. However for optimum use, both hot and cold supplies should be reasonably balanced.

This mixer should be installed in compliance with Water Regulations. For further details contact your Local Water Authority.

## INSTALLATION

1. Identify all components and check for completeness, particularly before arranging fitting.
2. Secure base (9) to floor. Mark out the fixing positions on flooring, if necessary, ensuring adequate space is left for connecting the water supplies. Remove enough flooring surrounding the mounting position to allow access to the water supplies.

Prior to drilling into floors, check there are no hidden electrical wires, cables or water supply pipes with the aid of an electronic detector. If you use power tools do not forget to:

- Wear eye protection
- Unplug equipment after use

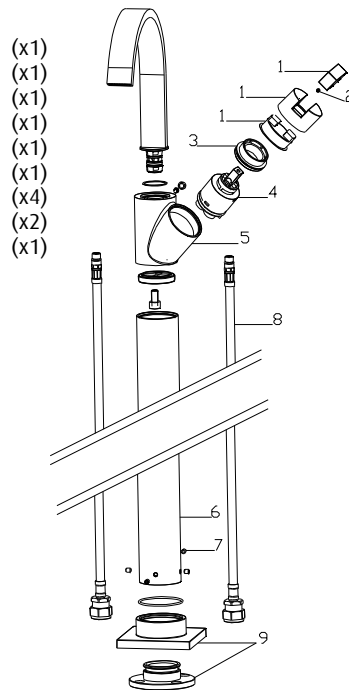


3. Insert and secure flexi tails (8) to the body (5) and then feed them through the mixer extension (6).
4. Attach the mixer extension (6) to the base (9) and secure by tightening all grub screws (7).
5. Connect hot and cold water supplies using the flexible tail pipes (8).
6. Turn on water supplies. Operate handle (1) and leave for a few minutes, letting the water flow, to check all joints and connections for leaks.
7. See over the page for aftercare instructions.

**Please Note:** In the unlikely event you find a part missing please contact our Customer Service Helpline on 0844 701 6273 or email [enquire@bristan.com](mailto:enquire@bristan.com) for immediate despatch of part.

## CONTENTS

1. Handle (x1)
2. Grub Screw (x1)
3. Cartridge Retaining Nut (x1)
4. Cartridge (x1)
5. Body (x1)
6. Mixer Extension (x1)
7. Grub Screws (x4)
8. Flexi Tails (x2)
9. Base (x1)



## MAINTENANCE

### If the fitting begins to drip:

1. Turn off both water supplies.
2. Remove top of handle (1) by removing the grub screw (2), then remove the lower part of the handle (1).
3. Unscrew the cartridge retaining nut (3). Remove the cartridge (4) by pulling from the body (5). Once removed, carefully clean the seating and all exposed parts.
4. Replace all of the above then turn on the water supply.
5. If problem persists contact our helpline quoting the product code.