



AFTERCARE INSTRUCTIONS

Your fitting has a high quality finish and should be treated with care to preserve the visible surfaces. All surface finishes will wear if not cleaned correctly, the only safe way to clean your waste is to wipe with a soft damp cloth. Stains can be removed using washing up liquid. All bath cleaning powders and liquids will damage the surface of your fitting even the non-scratch cleaners.

GUARANTEE

All products are manufactured to the highest standards and a 5 year guarantee covers any defect in manufacture.

NOTE: The 5 year guarantee on the valves is invalidated if damaged by any waterborne debris.

In the interests of continuous product development we reserve the right to alter specification as necessary.

PRODUCT CODE: W BTH17 C

TELEPHONE HELP LINE: 0844 701 6273

Bristan Group Ltd
Birch Coppice Business Park
Dordon
Tamworth
Staffordshire
B78 1SG
UK
A Masco Company

Web Site: www.bristan.com
Telephone: 0844 701 6274
Facsimile: 0844 701 6275
Email: enquire@bristan.com
(FI WBTH17) (R1)

(i)

BRISTAN

Clicker Bath Waste

Fitting Instructions

Please keep these instructions for future reference and request of replacement parts.

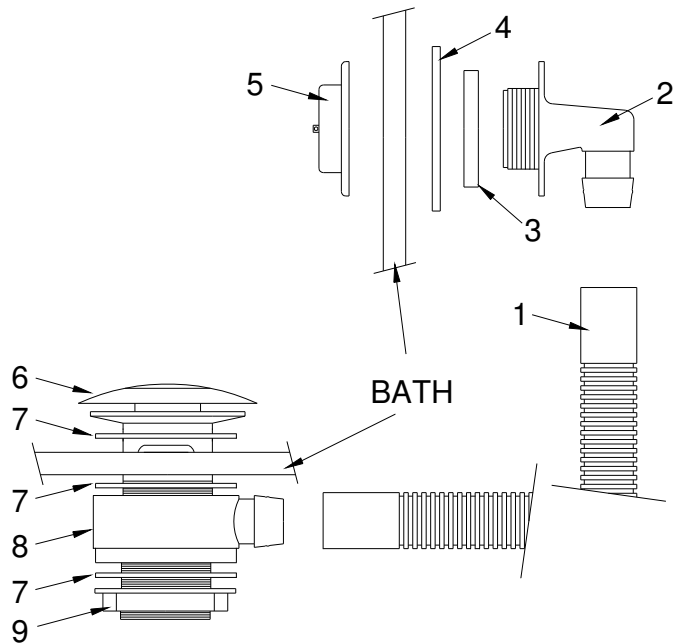


INSTALLATION

1. Identify all components and check for completeness.
2. Fit the waste body (6) and one of the rubber washers (7) into the bath.
3. Place a second rubber washer (7) under the bath above the banjo (8), and secure using the backnut (9) making sure the remaining washer (7) is between the backnut and the banjo. Use a pure Silicon sealant where necessary.
4. Fit the overflow outlet parts (2, 4 and 5) to the bath using spacer (3) depending on the thickness of the bath. Use a pure Silicon sealant where necessary.
5. Connect the overflow elbow (2) to the banjo fitting (8) using the flexible tube (1).
6. In order to fill the bath, the button in the middle of the waste needs to be pressed down. To release water, press button again.
7. Check all joints and connections for leaks.
8. See over the page for aftercare instructions.

CONTENTS

1.	Flexible tube	(x1)
2.	Overflow elbow	(x1)
3.	Overflow spacer	(x1)
4.	Rubber washer	(x1)
5.	Overflow face	(x1)
6.	Waste body	(x1)
7.	Rubber washer	(x3)
8.	Banjo	(x1)
9.	Backnut	(x1)



Please Note: In the unlikely event you find a part missing please contact our Customer Service Helpline on 0844 701 6273 or email enquire@bristan.com for immediate despatch of part.