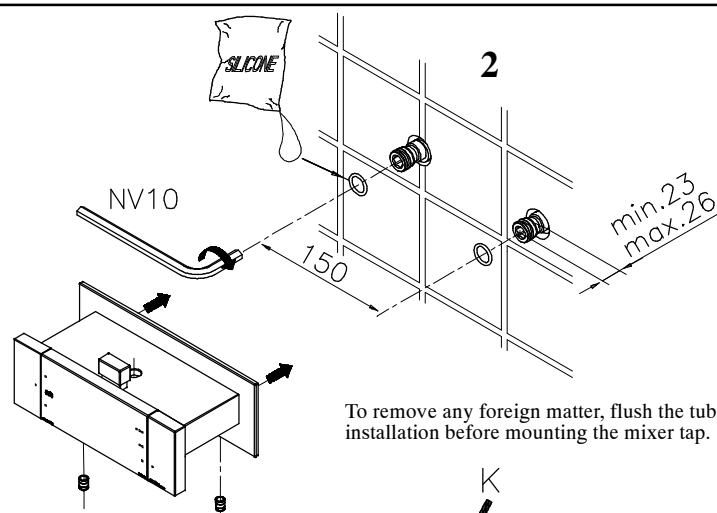
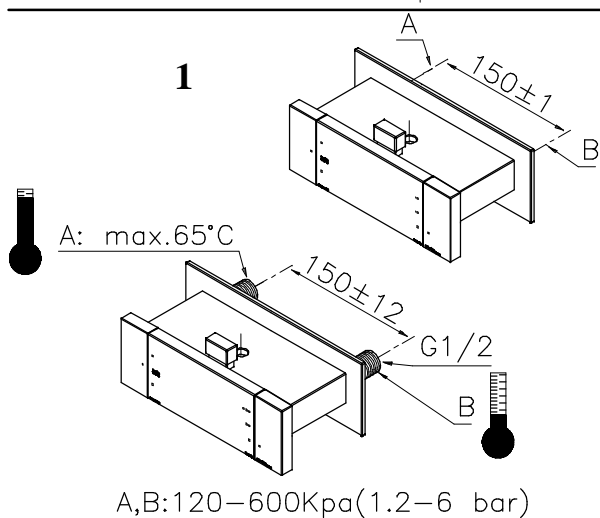
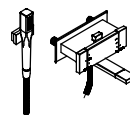
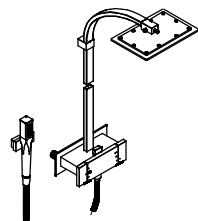


Installation instruction

S.72

03.07

12797.00



To remove any foreign matter, flush the tubes of the installation before mounting the mixer tap.

How to Install

Install the mixer tap as shown in the sketch.

Connect the cold water pipe to the right-hand inlet and the hot water pipe to the left-hand inlet (as viewed from in front).

Flush out the water installation before mounting the mixer tap.

The mixer tap can be installed horizontally or vertically. The positioning will have no impact on the operation.

The mixer tap is designed with a view to being built into domestic water installations.

If used in pipework of too low capacity there may, if more than one draw-off place is put to use at the same time, occur a change of pressure, which may affect the regulating abilities of the mixer tap.

Please note that if using the mixer tap in connection with an instantaneous hot-water heater or a stock hot-water heater, whether electrically heated or gas fired, it is crucial that both pressure and capacities should fulfil the minimum requirements of the mixer tap as regards a water pressure of 120kPa (1,2 bar).

After Installing

Turn on the water. Push the temperature handle (X) 2-3 times from completely cold to hot (38°C) till activating the anti-scald function.

The temperature handle (X) is fitted with a neutral scale and the marking "38°C".

The reference point of the scale carrying "38°C" is the quadrangle marking on the front plate (Y).

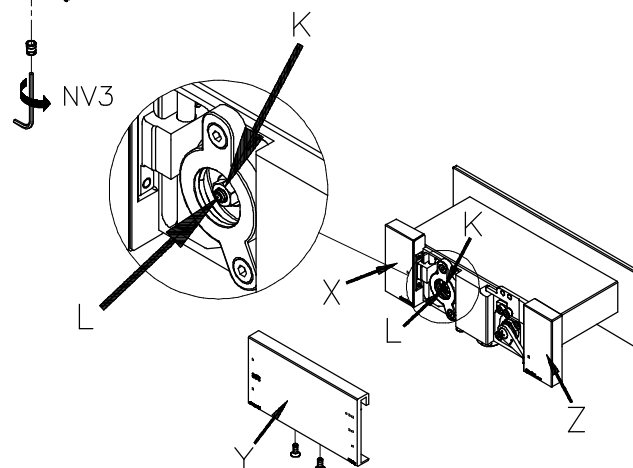
From factory the mixer tap has been set to yield approx. "38°C" when the anti-scald function of the temperature handle is moved towards stop. To set the thermostat at a temperature higher than 38°C, push the stop button behind the temperature handle to the left, at the same time pushing the temperature handle (X) upwards. Depending on water pressure and water temperature, the anti-scald function may have to be adjusted to reach the desired 38°C (approximate temperature).

How to Adjust the Temperature

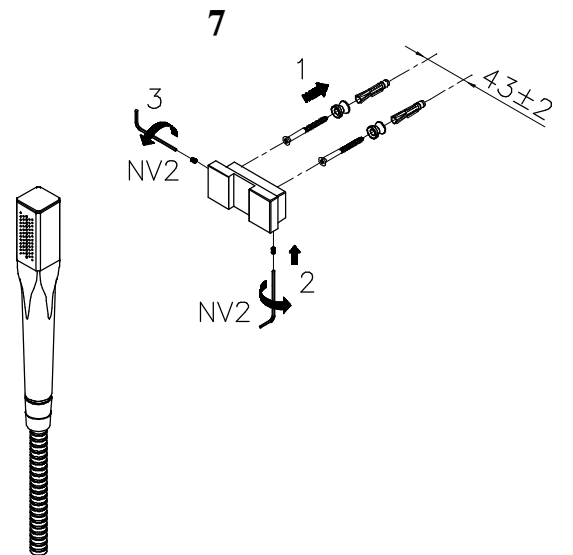
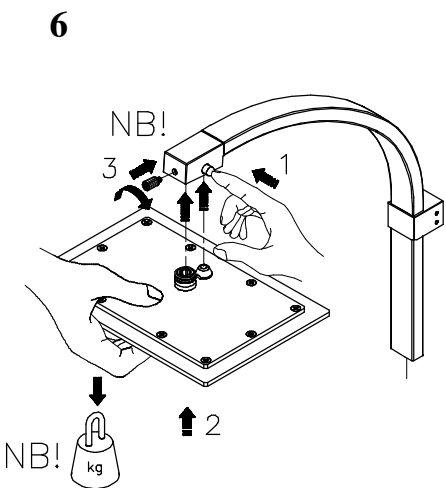
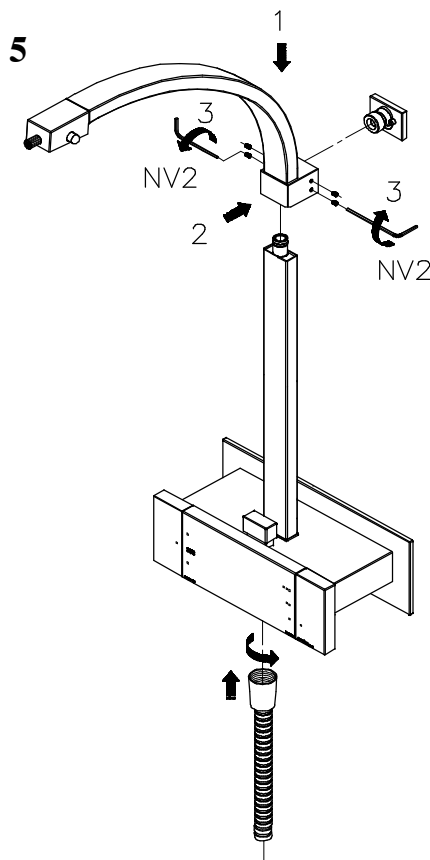
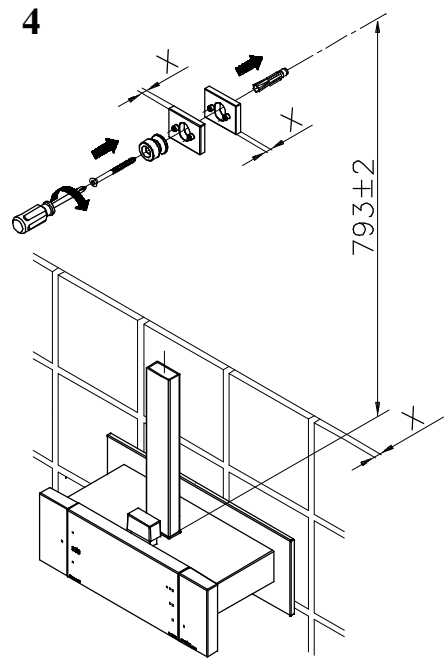
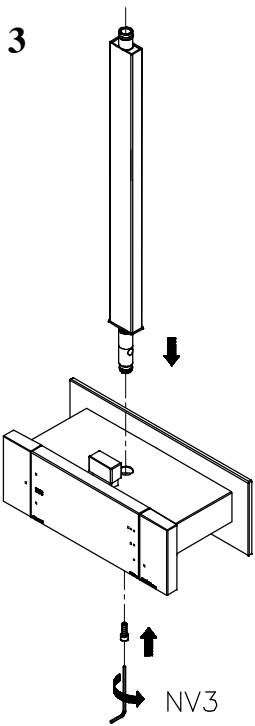
* Dismantle both screws underneath the front plate (Y) using a 2.5mm Allen key.

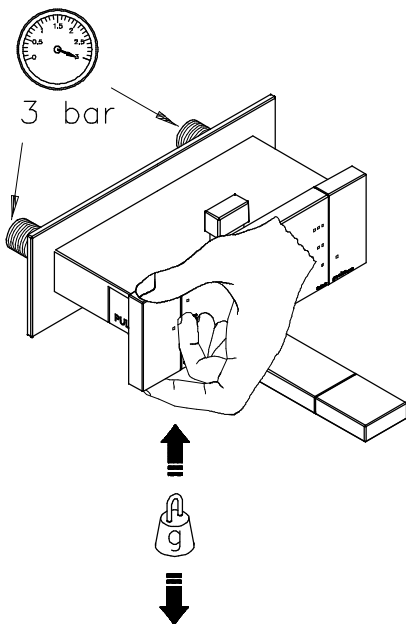
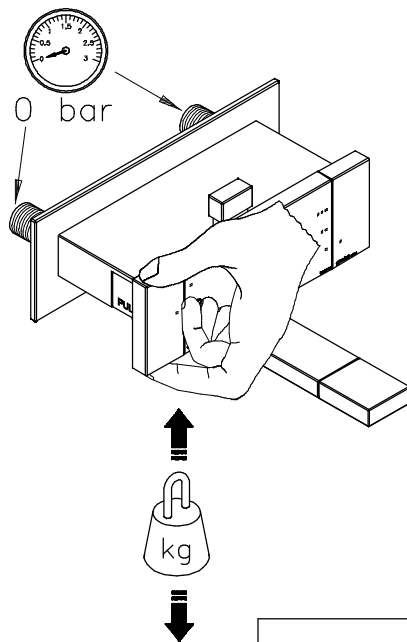
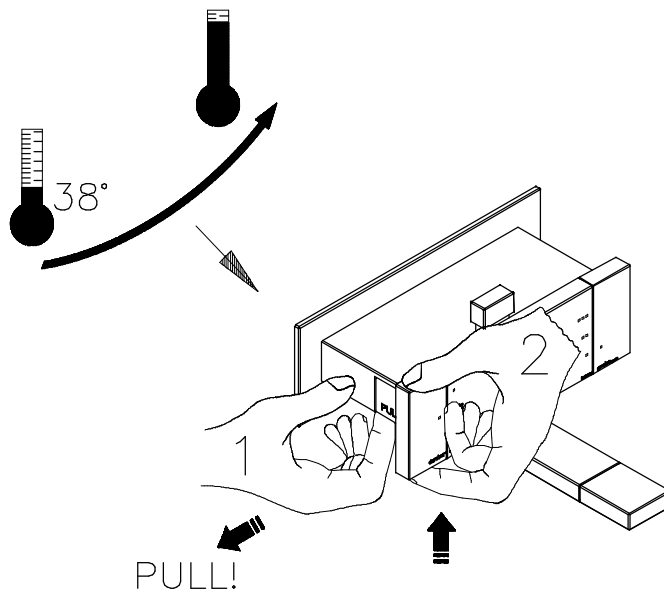
Then remove the front plate (Y).

* Push the temperature handle (X) towards the anti-scald function. Mount a 2mm Allen key in the tailstock screw (L), securing it while the screw nut (K) is loosened (anticlockwise).



- * Turn on the water and briefly wait for the temperature to grow constant. To increase the temperature, turn the tailstock screw (L) anticlockwise. For lower temperature, turn the tailstock screw (L) clockwise (approx. 1°C per rotation).
- * When the temperature has been set at the desired value, tighten the screw nut (K). **NOTE:** Secure the tailstock screw (L) by means of the Allen key while tightening the screw nut (K).
- * Push the temperature handle (X) downwards towards cold water and turn on the water, using the handle (Z). Wait until the water has run cold. Then push the temperature handle (X) upwards to the anti-scald function. Wait for the temperature to grow constant and then check it is as desired.
- * Mount the front plate (Y) and both screws.
- NOTE:** If water-filled, do not expose the mixer tap to freezing conditions. To avoid frost damage, always remove the mixer tap if freezing can be foreseen. Store in a frost-free place. The only way to empty the mixer tap of water is by blowing out (air pressure on both connections).
- If the installation is fitted with electrolytic devices to protect against corrosion, sludge may occur in the components of the installation.
- The existence of sludge in the thermostatic mixer tap may cause malfunctioning. Never employ the mixer tap in installations, in which sludge may occur.





Cleaning Recommendation

Modern sanitary tapware, kitchen mixers and showers consist of very different materials to comply with the needs of the market with regard to design and functionality. To avoid damage and complaints, it is necessary to consider certain criteria when cleaning.

Cleaning Materials for Mixers and Showers

Cleaning materials are necessary for removing lime, however, please pay attention to the following points when cleaning mixers and showers:

- Never use cleaning materials which contain hydrochloric, formic or acetic acid, as these will cause considerable damage.
- Phosphoric acid is also restricted as it can cause damage.
- Never mix any cleaning material with another.
- Never use cleaning materials or appliances with an abrasive effect such as unsuitable cleaning powders or sponge pads.

Cleaning Instructions for Mixers and Showers

Please follow the cleaning material manufacturer's instructions. In addition, pay attention to the following points:

- Clean the mixers and showers as and when required.
- The cleaning dosage and time the cleaner needs to take effect should be adjusted according to the product and the cleaner should not be left longer than necessary.
- Regular cleaning can prevent calcification.
- When using spray cleaner, spray first into a cloth or sponge, **never** directly onto the sanitary tapware, as drops could enter openings and gaps and cause damage.
- After cleaning rinse thoroughly with clean water to remove any cleaner residue.

Important

Residues of liquid soaps, shampoos and shower foams can also cause damage, so rinse with clean water after using.

If the surface is already damaged, the effect of cleaning materials will cause further damage.

Damage caused by improper treatment will not be covered by our guarantee.