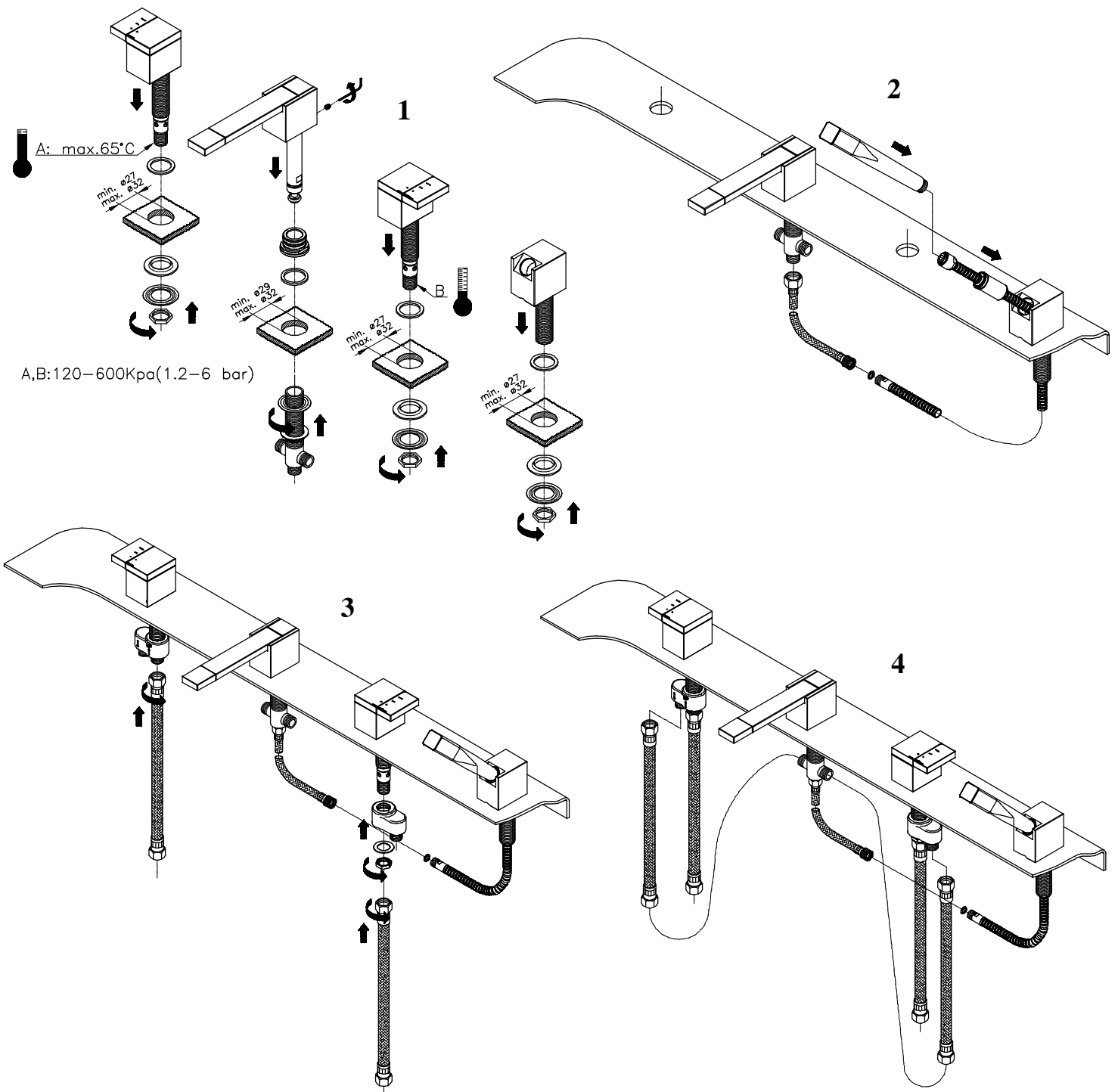


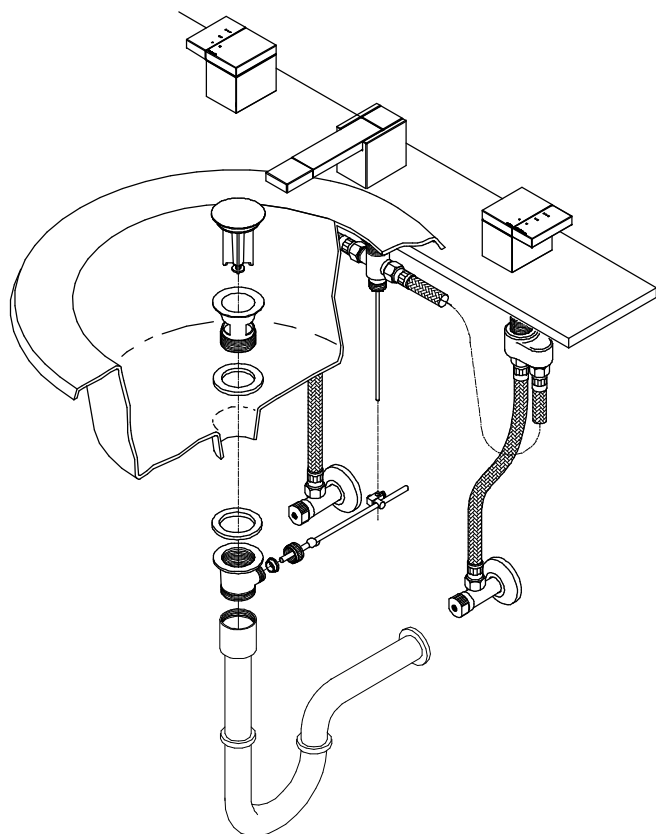
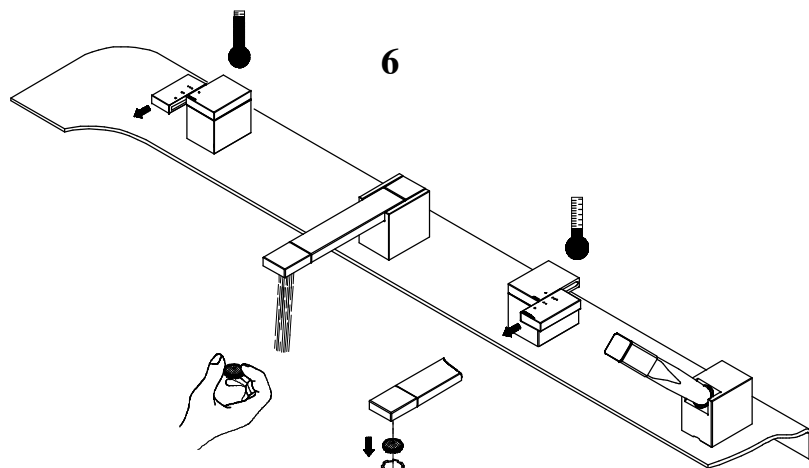
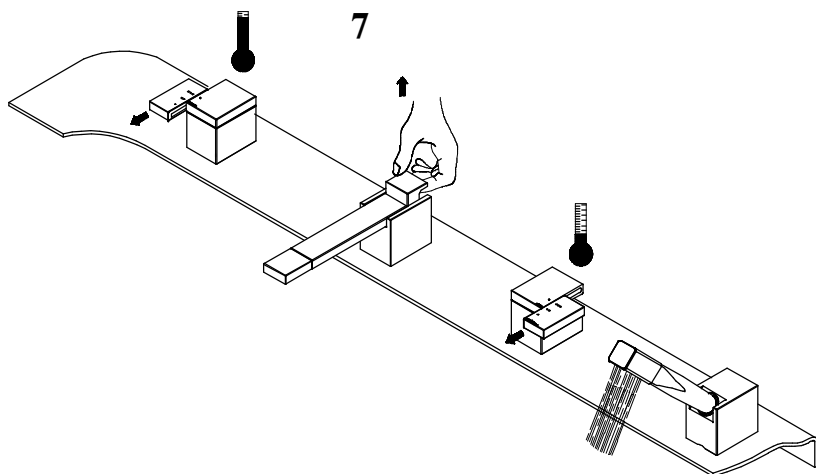
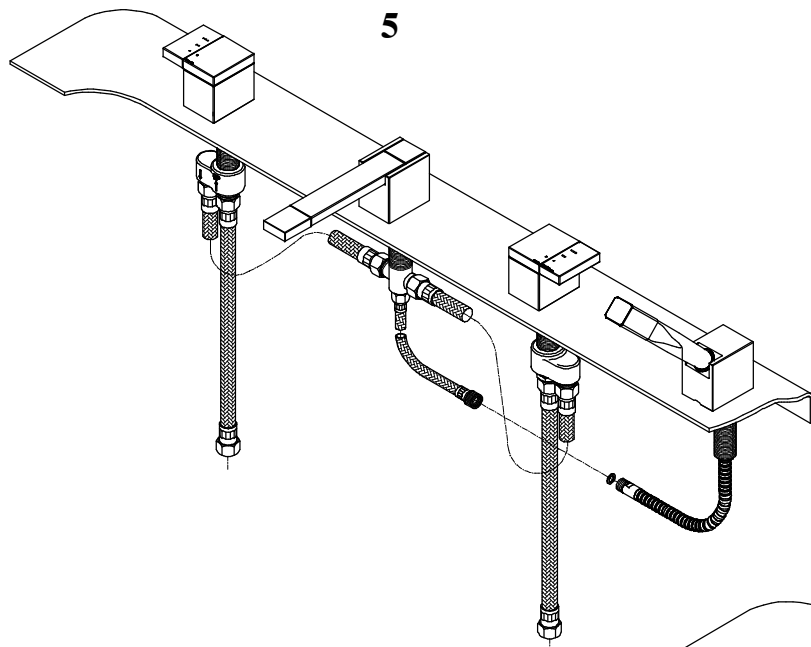
Installation instruction

S.72

02.07

12808.00





Cleaning Recommendation

Modern sanitary tapware, kitchen mixers and showers consist of very different materials to comply with the needs of the market with regard to design and functionality. To avoid damage and complaints, it is necessary to consider certain criteria when cleaning.

Cleaning Materials for Mixers and Showers

Cleaning materials are necessary for removing lime, however, please pay attention to the following points when cleaning mixers and showers:

- Never use cleaning materials which contain hydrochloric, formic or acetic acid, as these will cause considerable damage.
- Phosphoric acid is also restricted as it can cause damage.
- Never mix any cleaning material with another.
- Never use cleaning materials or appliances with an abrasive effect such as unsuitable cleaning powders or sponge pads.

Cleaning Instructions for Mixers and Showers

Please follow the cleaning material manufacturer's instructions. In addition, pay attention to the following points:

- Clean the mixers and showers as and when required.
- The cleaning dosage and time the cleaner needs to take effect should be adjusted according to the product and the cleaner should not be left longer than necessary.
- Regular cleaning can prevent calcification.
- When using spray cleaner, spray first into a cloth or sponge, **never** directly onto the sanitary tapware, as drops could enter openings and gaps and cause damage.
- After cleaning rinse thoroughly with clean water to remove any cleaner residue.

Important

Residues of liquid soaps, shampoos and shower foams can also cause damage, so rinse with clean water after using.

If the surface is already damaged, the effect of cleaning materials will cause further damage.

Damage caused by improper treatment will not be covered by our guarantee.