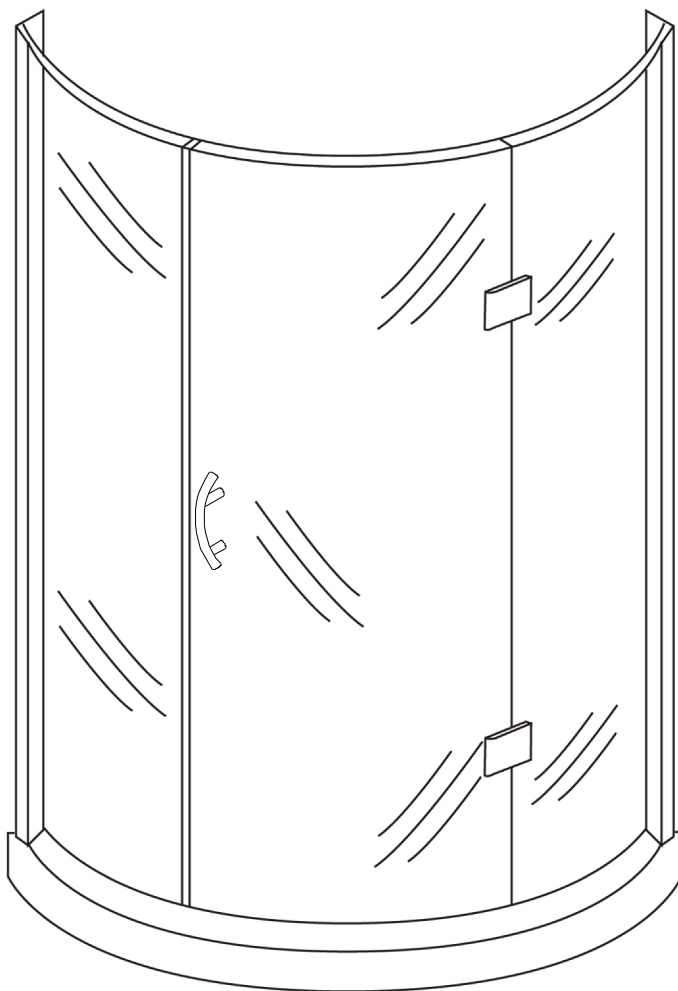


**BRISTAN**

# Java 3 Part 1 Door Quadrant



**3 Part 1 Door  
Quadrant  
800mm x 800mm  
Silver  
J Q31 800 S**

**3 Part 1 Door  
Quadrant  
900mm x 900mm  
Silver  
J Q31 900 S**

**Bristan**

Birch Coppice Business Park, Dordon, Tamworth, Staffordshire, B78 1SG

Customer Services: 0870 4425553

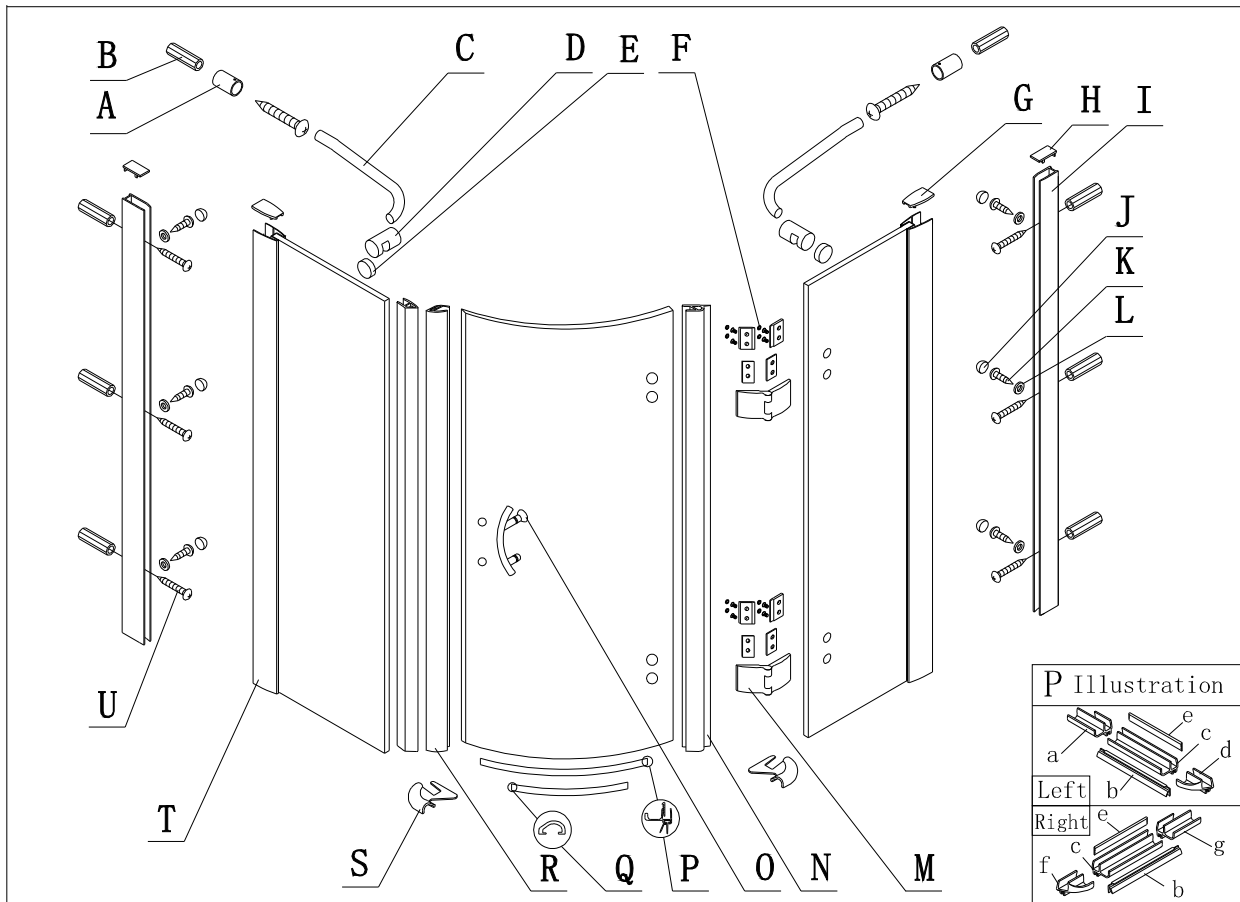
Email: [enquire@bristan.com](mailto:enquire@bristan.com) Web: [www.bristan.com](http://www.bristan.com)



installation instructions sheet

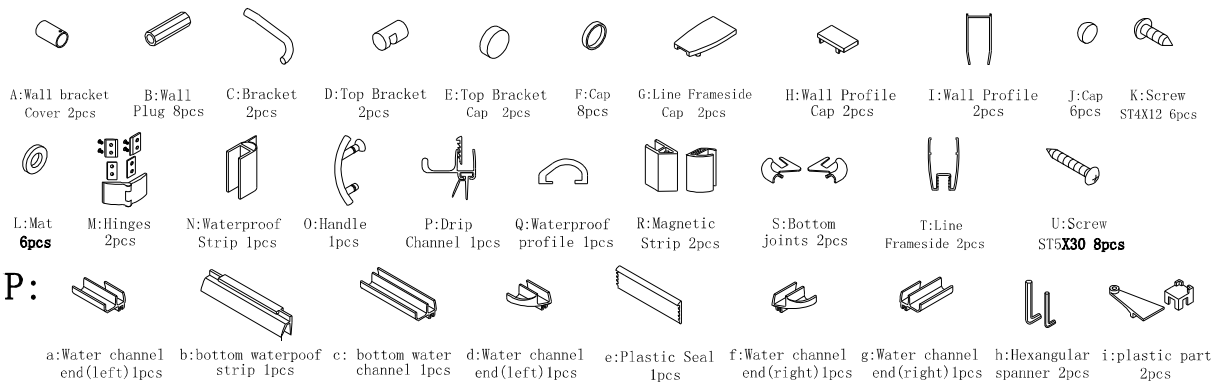
For latest prices and delivery to your door visit MyTub Ltd 0845 303 8383 [www.mytub.co.uk](http://www.mytub.co.uk)

## JAVA 3 PART 1 DOOR QUADRANT INSTRUCTION MANUAL

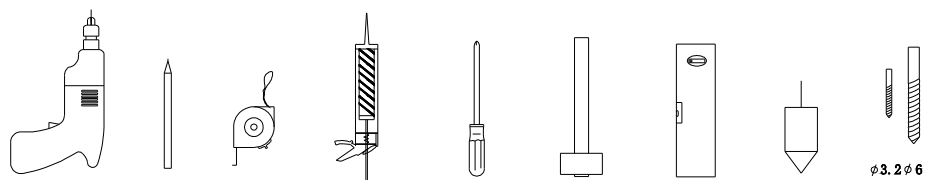


### 1: Inspect the contents :

Please read these installation instructions carefully before attempting to install the product. Our showers undergo several quality control checks but should anything be missing or damaged please contact your supplier. Ensure the shower tray is level before beginning.

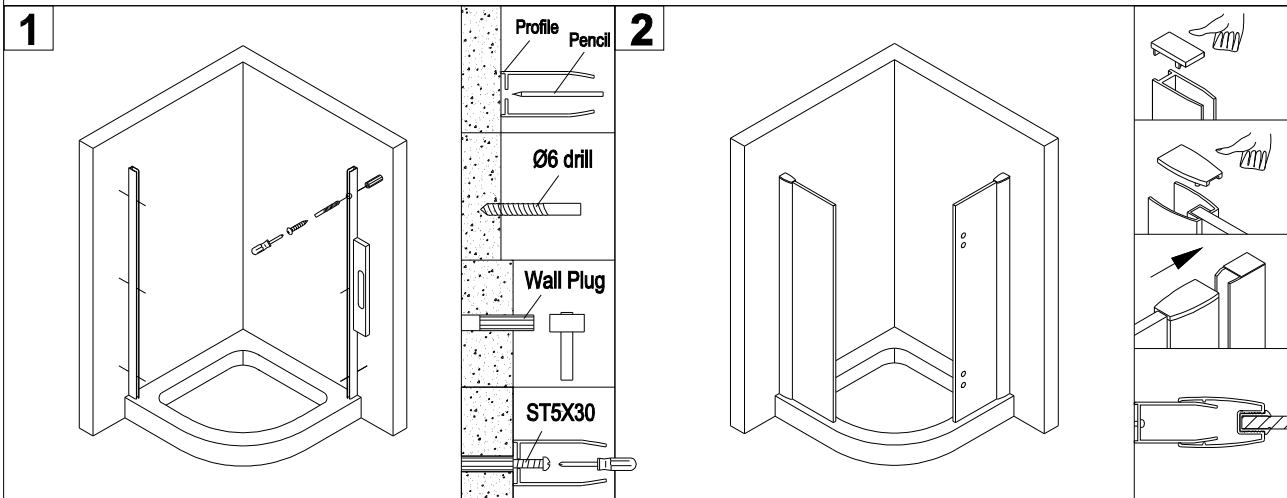


### 2. Tools required :

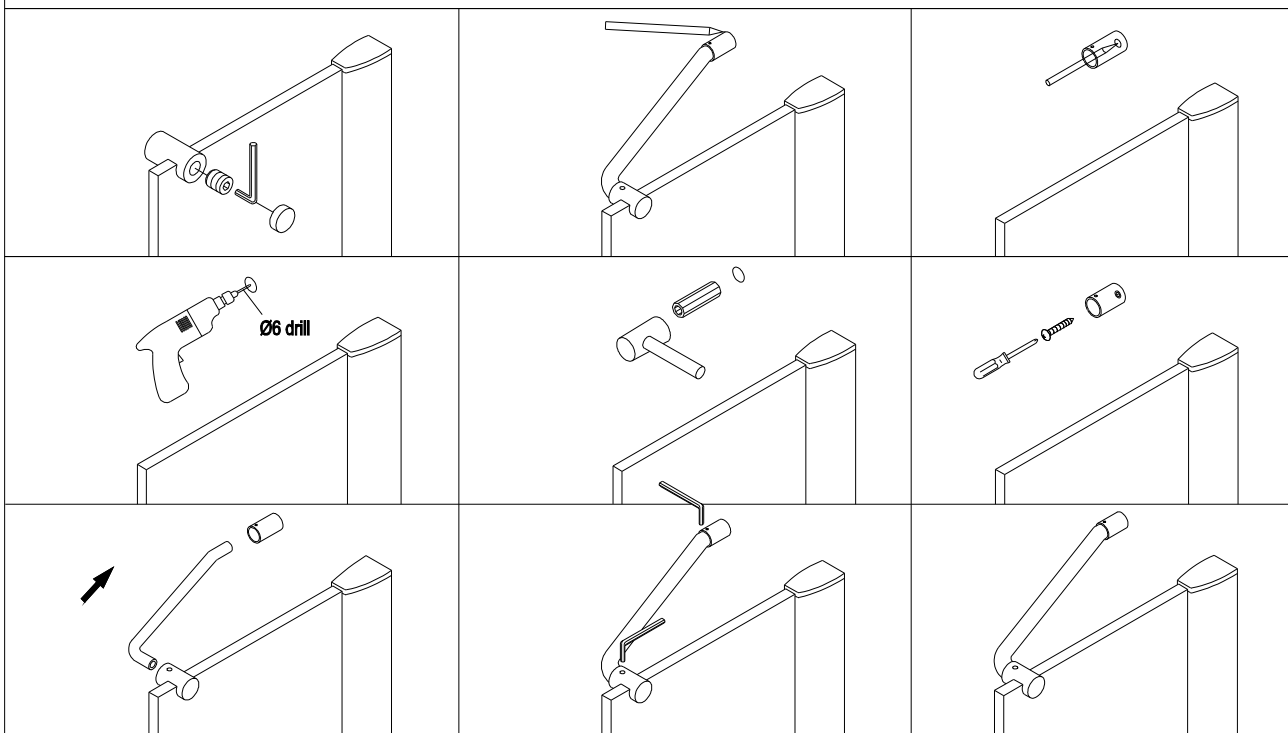


φ3.2 φ6

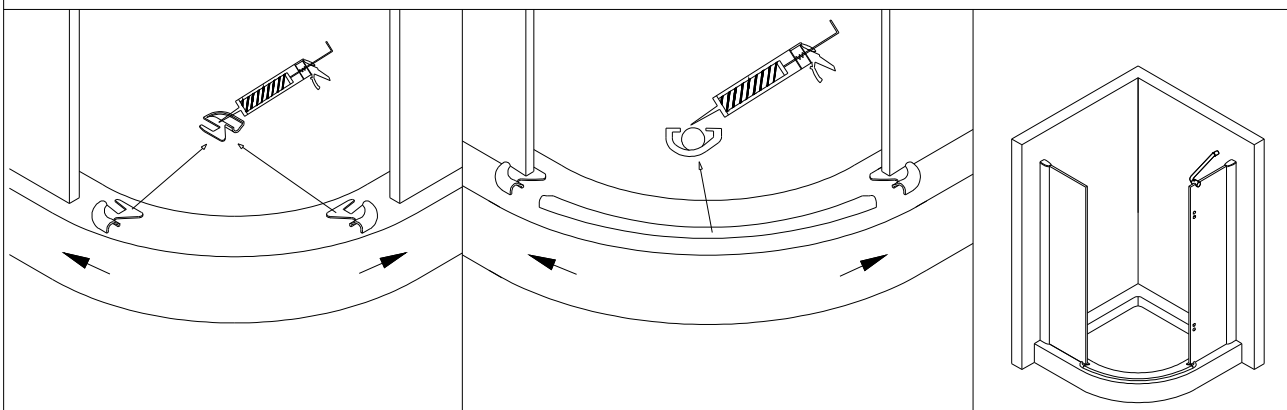
## Stage 1 Reversible Panels Assembly :



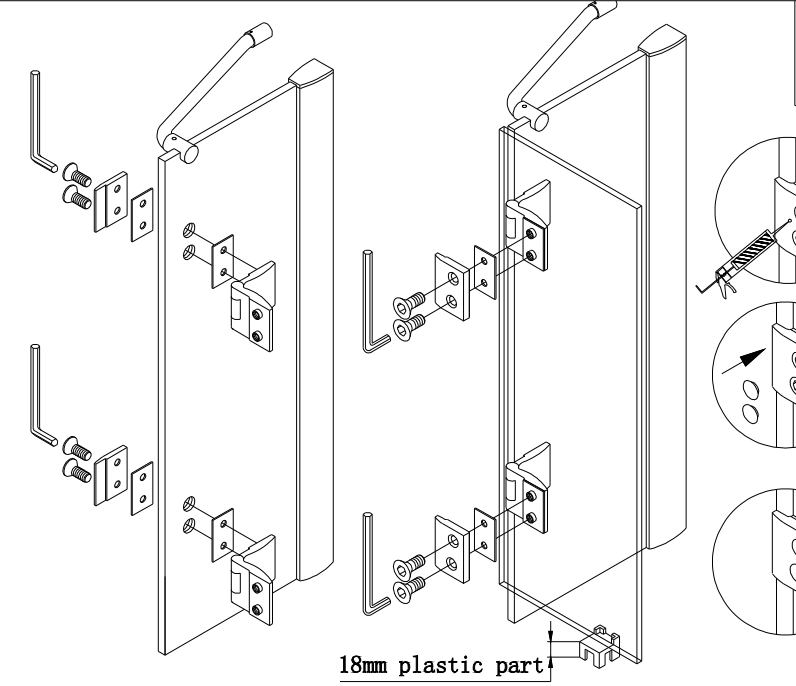
## Stage 2 Bracket Assembly : Reverse the end pieces of the bracket as appropriate



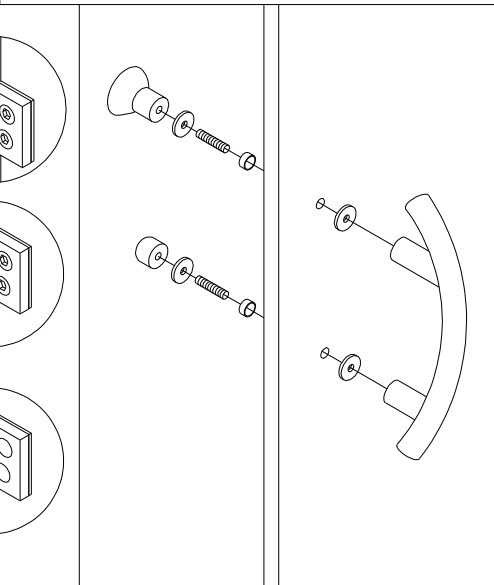
## Stage 3 Bottom waterproof strip assembly. Use appropriate reversible end pieces.



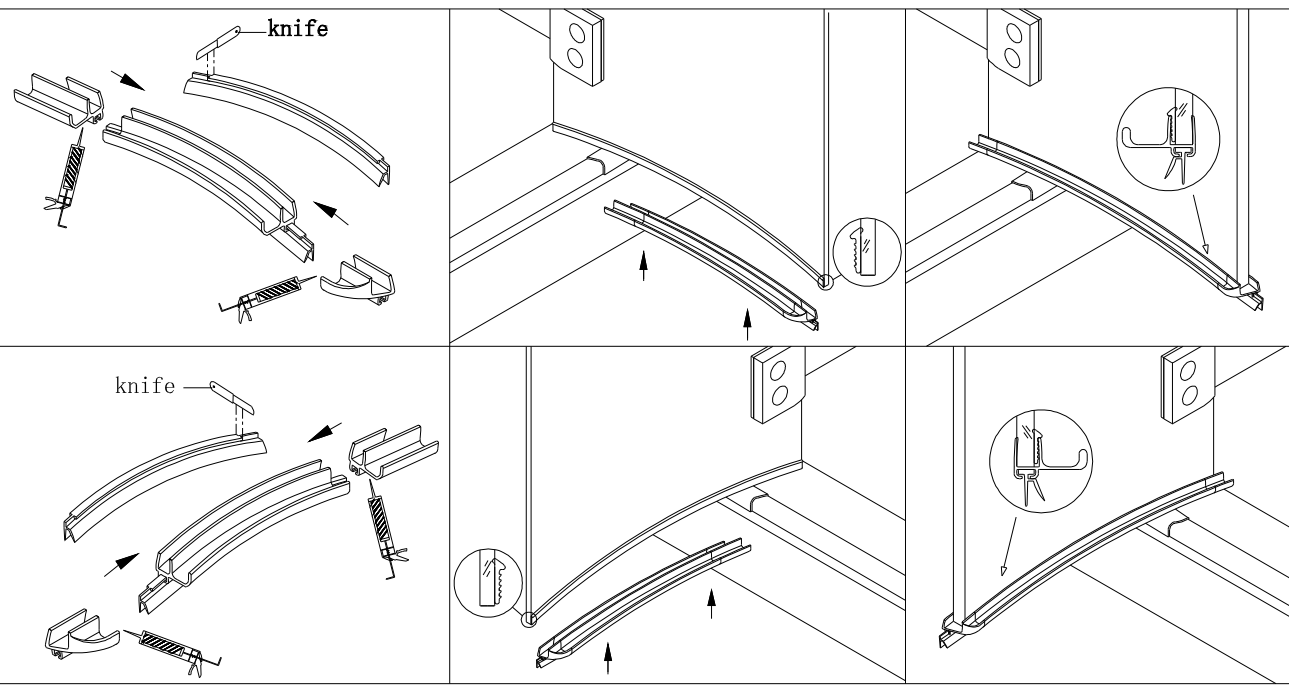
## Stage 4 Hinge and door assembly :



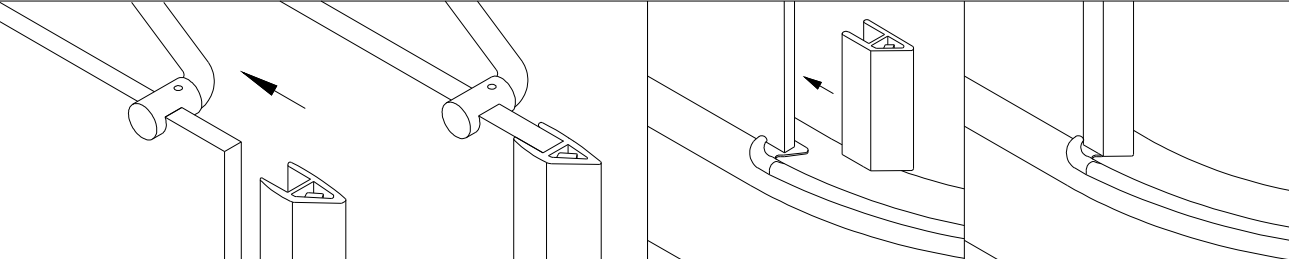
## Stage 5 Handle Assembly:

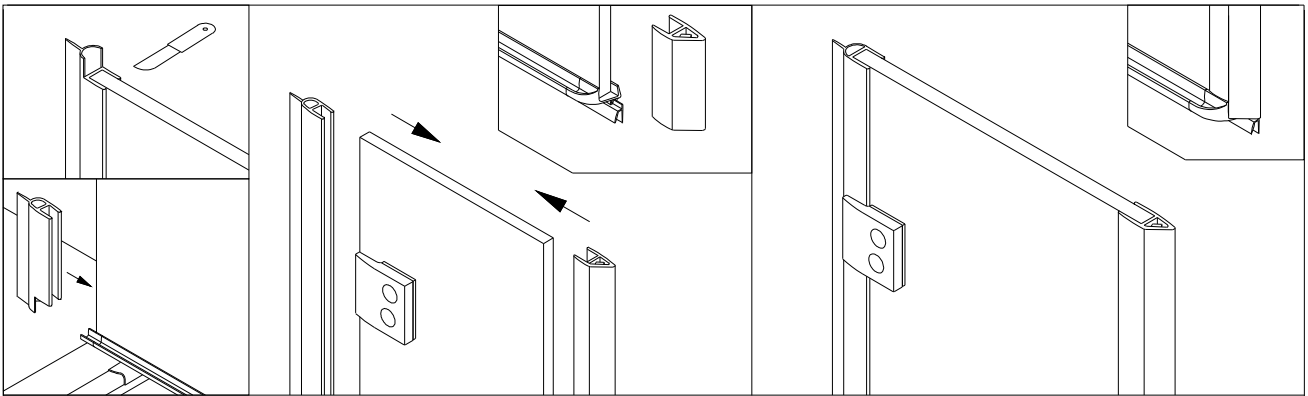


## Stage 6 Water Channel Assembly :



## Stage 7 Rubber Gasket Assembly :

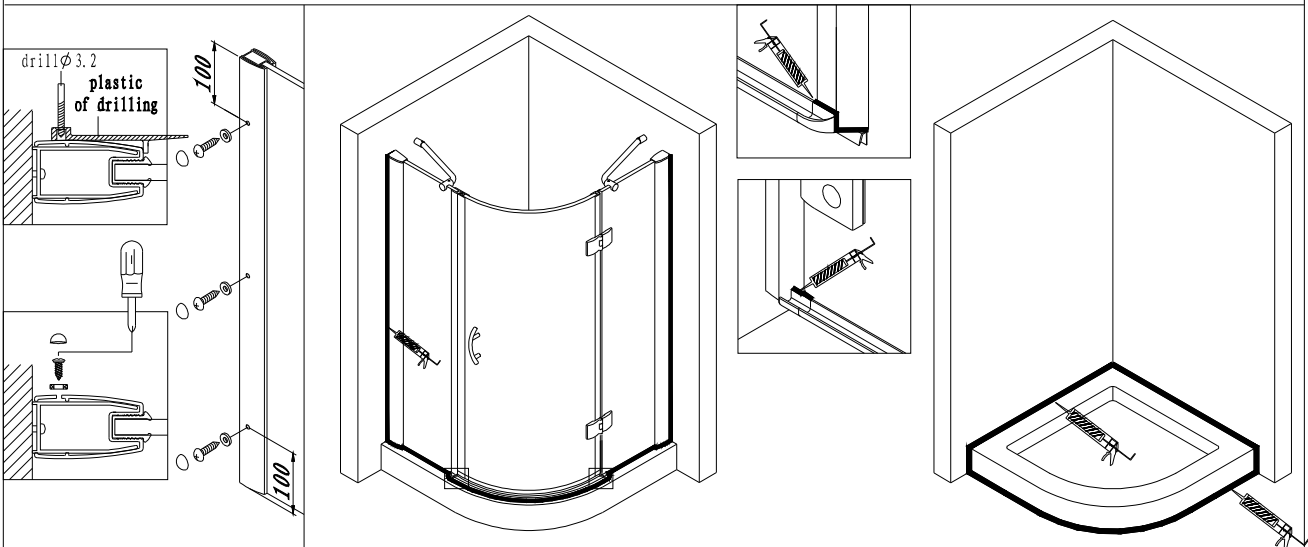




Stage 8 The Other Bracket Assembly : (see Stage 2)

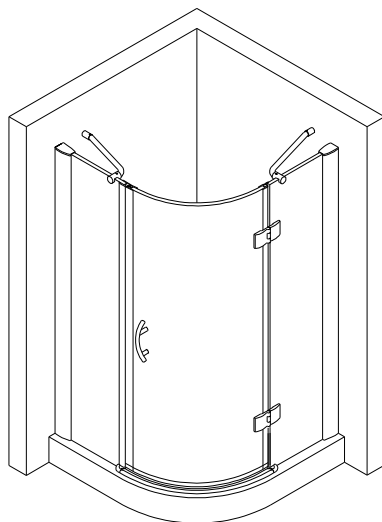
Stage 9 Seal the shower enclosure :

Use a professional grade silicon based sealant as indicated



Stage 10 Care Instructions :

- Do not use your shower enclosure within 24 hours of assembly .
- Do not use caustic cleaning products or abrasive material when cleaning your shower enclosure .



# BRISTAN

If you require any further assistance or information, please ring the Customer Services Helpline on: 0870 4425553.