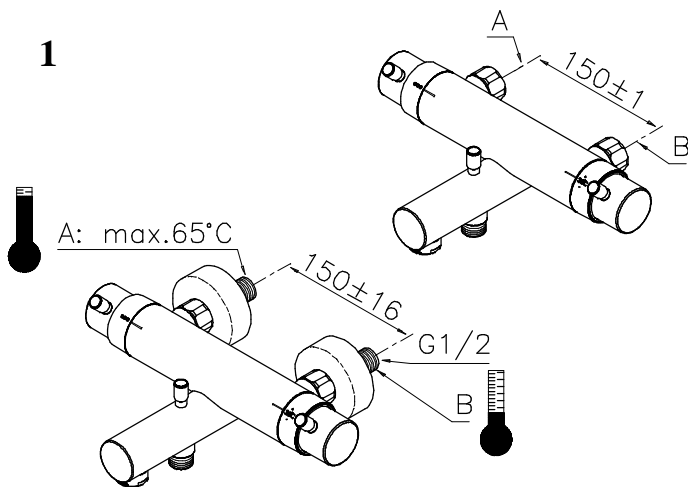
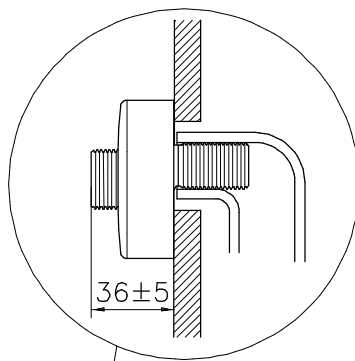


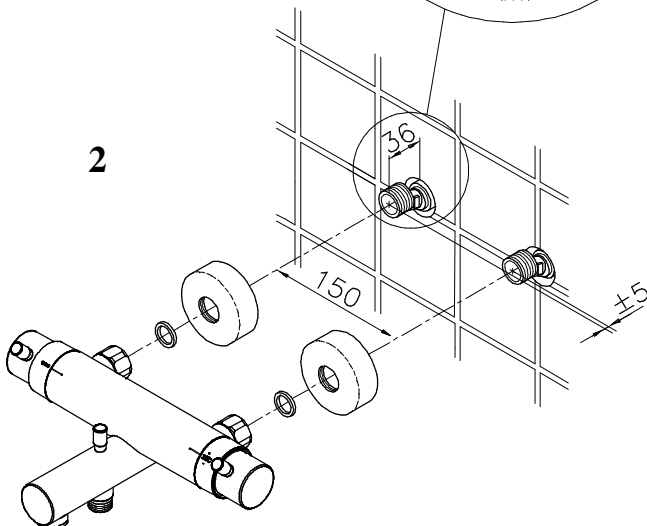
1



A,B: 120–600Kpa (1.2–6 bar)



2



INSTALLATION

Fit the mixer as shown on the sketch.

Connect the cold water inlet pipe to the right inlet and the hot water inlet to the left when seen from the front, using the relevant filter gaskets accommodated in the union nuts. Please flush out the pipings before installing the mixer tap. The mixer will function satisfactorily whether mounted horizontally or vertically. The mixer tap is designed to work in installations with ordinary water pressures. In installations with pressures above the recommended pressure and in which noise can occur it is recommended that a reduction valve be mounted on the supply pipes.

If the mixer tap is installed where pipework dimensions are smaller than standard, changes in pressure may arise if more taps are used at the same time. This can affect the regulating ability of the mixer tap.

If the mixer tap is used in conjunction with electric or gas-operated instantaneous hot-water heaters it should be checked whether pressure and capacity meet the minimum demands of the mixing valve. Please see data sheet.

The water flow is regulated by means of two plane ground ceramic discs in the water flow regulation valve of the mixer. There is a turn of 180° from fully closed to fully open position.

The mixer handle has an Eco stop at approx. 50 % open. The stop is released by pressing the button.

Turn on the water. Turn the temperature handle 2–3 times to fully cold and fully hot, at the same time activating the red anti-scald button.

The temperature setting knob is supplied with a neutral scale and a "38° C" marking. The line marking on the mixing body should be used as reference point for the scale with the "38° C" marking.

The mixer tap is set at the factory at approx. 38°C when the anti-scald device of the temperature setting knob meets the stop function. To achieve a temperature higher than 38° press the stop of the temperature setting knob and at the same time turn the temperature setting knob. Depending on water pressure and water temperature it may be necessary to adjust the anti-scald function to achieve the temperature of approx. 38°C.

Adjustment is made as follows:

- * Turn the temperature setting knob to the cold position and dismantle it.
- * Replace the knob so that the "38° C" marking is turned approx. 135° to the right past the dot on the mixer body.
- * Turn the knob towards the anti-scald function (the stop).
- * Measure the temperature obtained.

If the mixing temperature is not as desired adjust it by altering the position of the knob in relation to the spindle as follows:

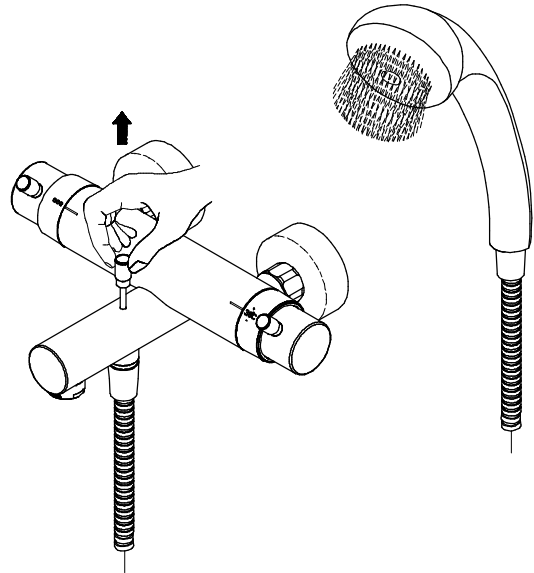
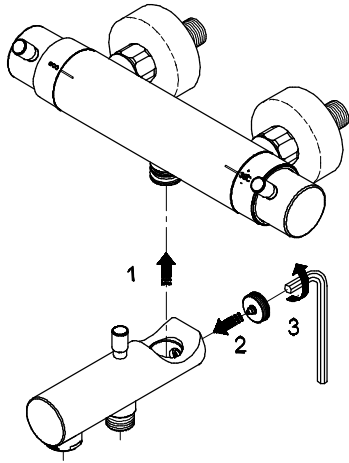
- * Turn the knob to the cold position and dismantle it.
- * By altering the position of the knob in relation to the serrations of the spindle by 1 serration clockwise the mixing temperature will be approx. 1.8°C hotter when the knob is turned towards the locking function.
- * By altering the position of the knob in relation to the serrations of the spindle by 1 serration anticlockwise the mixing temperature will be approx. 1.8°C colder when the knob is turned towards the locking function.

Clockwise = hotter Anticlockwise = colder.
After adjustment is completed fasten the knob.

NOTE: When installing the mixer tap in summer residences etc. where there may be a risk of frost damage, the mixer tap must be dismantled and kept frost-free during winter. The mixer tap can only be emptied of water by pressure blasting through the two inlets.

Please note that in installations with electrolyser as a safeguard against corrosion there may be sediments in the installation components.

In the case of sediments in the thermostatic mixer tap there will be a risk of malfunction, and the mixer tap should not be used in installations where there are sediments.



Fitting Instructions & Content list

Please keep these instructions for future reference and request of spare parts.

This mixer is suitable for use on high pressure systems only 1 Bar and over. However for optimum use, both the hot and cold supplies should be reasonably balanced.

This mixer should be installed in compliance with Water Regulations. Approved check valves must be fitted in the supply pipes. For further details contact your Local Water Authority.

INSTALLATION

1. Identify all components and check for completeness, particularly before arranging fitting.
2. Install the mixer into the wall as per the enclosed drawings.
3. Remove the outlet and turn on the water supplies for a few minutes letting the water flow, to check all joints and connections for leaks.
4. See over page for aftercare instructions.

Note: - Before finishing wall turn on water supplies to check both correct system function and for leaks from joints/connections.

Please Note: -

In the unlikely event you find a part missing please contact our Customer Service Help line on +44 (0) 870 4425553 for immediate dispatch of part.

AFTERCARE INSTRUCTIONS

Your Bristan bathroom accessories have a high quality finish and should be treated with care to preserve the visible surfaces.

All surface finishes will wear if not cleaned correctly, the only safe way to clean your accessory is to wipe with a soft damp cloth. Stains can be removed using washing up liquid. All bath cleaning powders and liquids will damage the surface of your fitting even the non scratch cleaners.

GUARANTEE

All products are manufactured to the highest standards and a 5 year guarantee covers any defect in manufacture.

In the interests of continuous product development we reserve the right to alter specification as necessary

PRODUCT CODE: ARC THWMBSM C

TELEPHONE HELP LINE! +44 (0) 870 4425553

Bristan Group Limited
Birch Coppice Business Park
Dordon
Tamworth
Staffordshire
B78 1SG
UK

A Masco Company
Web site: www.bristan.com
Telephone: +44 (0) 870 4425556
Facsimile: +44 (0) 870 4425554
Email: enquire@bristan.com

(FI ARC THWMBSM)

(Rev. D1)

(DX)

