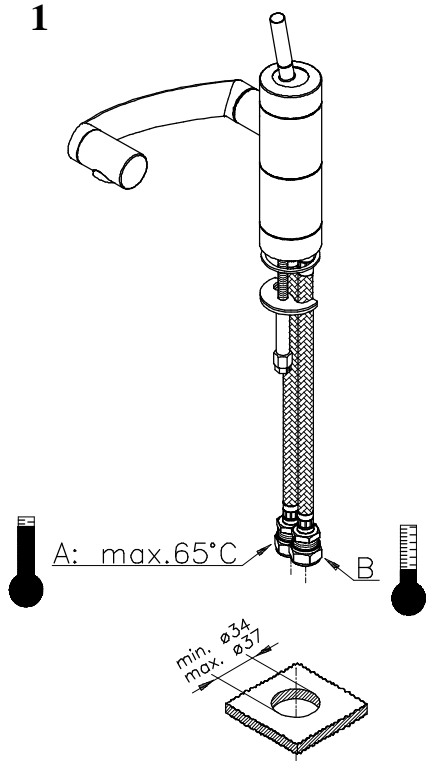
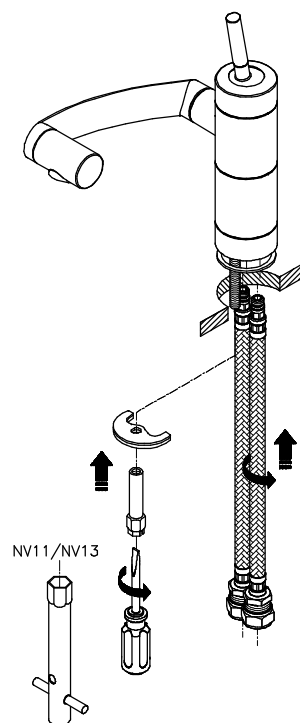


1

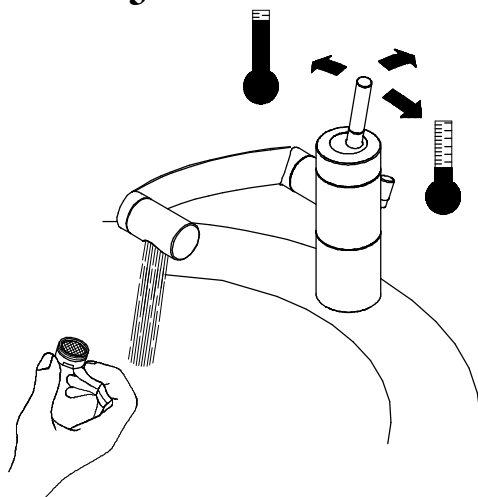


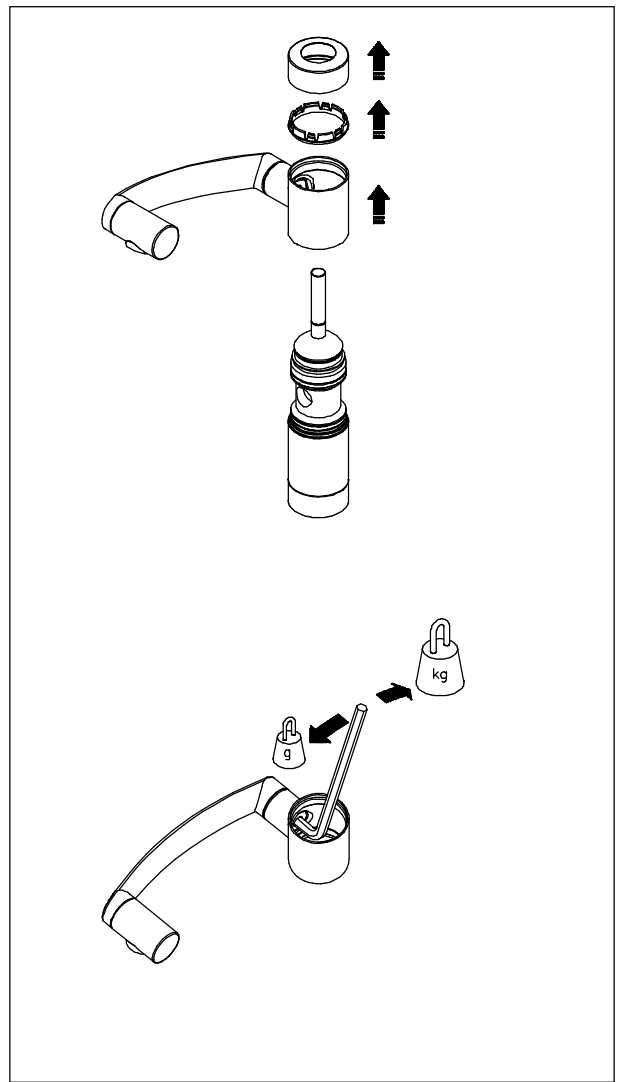
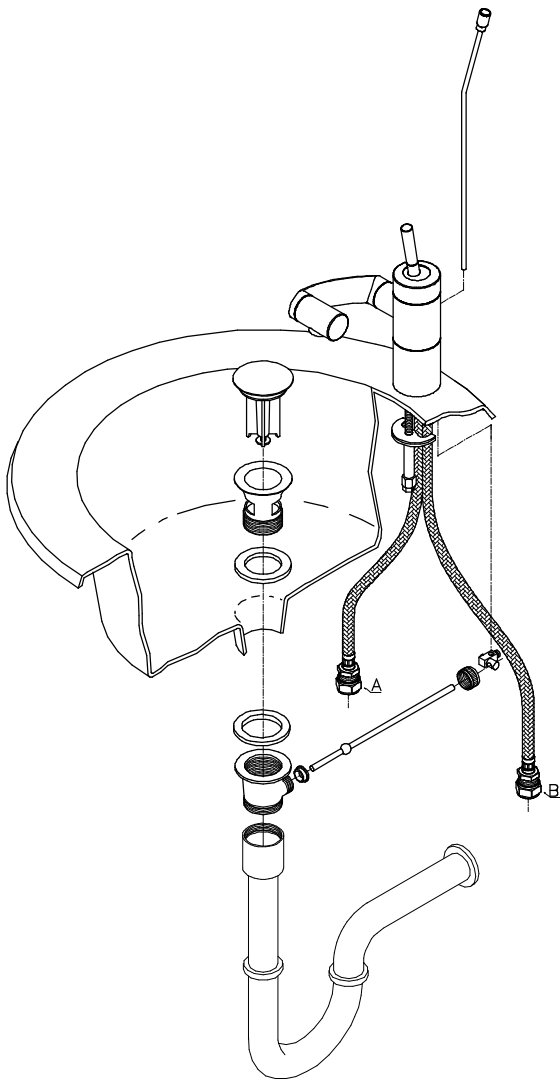
A,B: 120-600Kpa (1.2-6 bar)

2



3





Fitting Instructions & Content list

Please keep these instructions for future reference and request of spare parts.

This mixer is suitable for use on high pressure systems only 1 Bar and over. However for optimum use, both the hot and cold supplies should be reasonably balanced.

This mixer should be installed in compliance with Water Regulations. Approved check valves must be fitted in the supply pipes. For further details contact your Local Water Authority.

INSTALLATION

1. Identify all components and check for completeness, particularly before arranging fitting.
2. Install the mixer into the basin as per the enclosed drawings.
3. Fit the pop up waste. It is recommended that a silicon sealant be applied to both sealing faces of washers. The plug height can be set by adjusting the waste rod operating rod, rod connector and the screw in the base of the plug. Friction for the waste mechanism can be adjusted using the waste cap nut.
4. Remove the outlet and turn on the water supplies for a few minutes letting the water flow, to check all joints and connections for leaks.
5. See over the page for aftercare instructions.

Please Note: -

In the unlikely event you find a part missing please contact our Customer Service Help line on +44 (0) 870 4425553 for immediate dispatch of part.



AFTERCARE INSTRUCTIONS

Your Bristan bathroom accessories have a high quality finish and should be treated with care to preserve the visible surfaces.

All surface finishes will wear if not cleaned correctly, the only safe way to clean your accessory is to wipe with a soft damp cloth. Stains can be removed using washing up liquid. All bath cleaning powders and liquids will damage the surface of your fitting even the non scratch cleaners.

GUARANTEE

All products are manufactured to the highest standards and a 5 year guarantee covers any defect in manufacture.

In the interests of continuous product development we reserve the right to alter specification as necessary

PRODUCT CODE: ARC BAS C

TELEPHONE HELP LINE! +44 (0) 870 4425553

Bristan Group Limited
Birch Coppice Business Park
Dordon
Tamworth
Staffordshire
B78 1SG
UK

A Masco Company
Web site: www.bristan.com
Telephone: +44 (0) 870 4425556
Facsimile: +44 (0) 870 4425554
Email: enquire@bristan.com

(FI ARC BAS)

(Rev. D1)

(DX)