

8. Guarantee & Registration

8.1 Guarantee

All products are manufactured to the highest standards and 5-year guarantee covers any defect in manufacture. As gold and special effect finishes are softer than chromium plate, special care must be taken when cleaning, a 3-year guarantee covers these finishes.

Any part found to be defective during the above guarantee period will be replaced without charge providing that the product has been installed in accordance with our instructions, used as intended and maintained/serviced as recommended.

In the unlikely event that any problems are encountered with this product's performance on installation, you must obtain guidance/authorisation from our Customer Service Department before any remedial action is taken and be able to supply proof and date of purchase.

The guarantee excludes damage caused by accident, misuse or neglect and does not cover the following:

- Those components subject to wear and tear such as 'O' rings and washers etc,
- Damage caused by faulty installation,
- Damage caused by any waterborne debris,
- Damage caused by improper cleaning products,
- Damage caused by the use of non-Bristan parts,
- The product being used for a purpose other than intended.

The company reserves the right, in the event of a claim not covered by the guarantee, to charge the claimant for parts and labour at current rates. This guarantee is given in addition to and does not affect your statutory rights.

In the interests of continuous product development we reserve the right to alter the specification as necessary.

8.2 Registration

To register your product with us please complete and return the enclosed registration card.

PRODUCT CODE: PM SHXSP C

TELEPHONE HELP LINE! +44 (0)870 442553

Bristan Limited
Birch Coppice Business Park
Dordon,
Tamworth
Staffordshire
B78 1SG

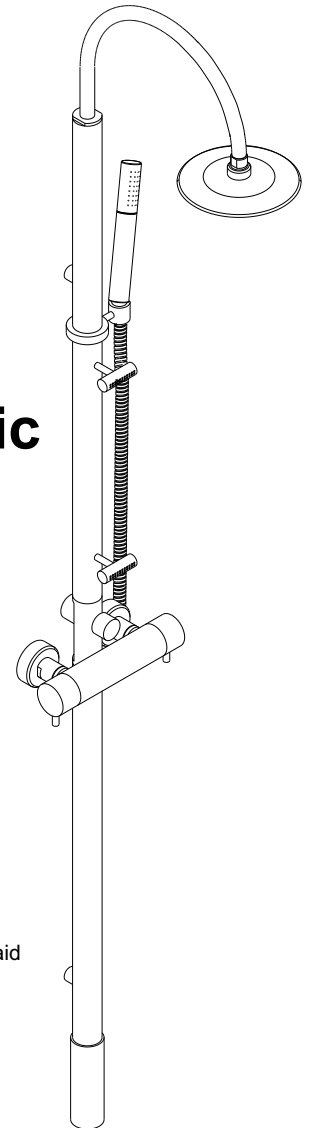
Web: www.bristan.com
Tel: +44 (0) 870 4425553
Fax: +44 (0) 870 4425554
Email- enquire@bristan.com

(FI PM SHXSP)

(Rev. D5)

(AJ)

BRISTAN



Prism Shower Pole with Integral Thermostatic Valve and Diverter

Fitting Instructions & Contents List



Prior to drilling into walls, check there are no hidden electrical wires, cables or water supply pipes with the aid of an electronic detector. If you use power tools do not forget:

- Wear eye protection
- Unplug equipment after use

Please keep these instructions for future reference and request of replacement parts

(800315/E)

7. Cleaning & Maintenance

7.1. Cleaning

Your fitting has a high quality finish and should be treated with care to preserve the visible surfaces. All surface finishes will wear if not cleaned correctly, the only safe way to clean your mixer is to wipe it with a soft damp cloth. Stains can be removed using washing up liquid. All bath cleaning powders and liquids will damage the surface of your fitting, even non-scratch cleaners.

7.2. Maintenance (See Fig. 5)

- 7.2.1. We advise that the valves, check valves and filters be regularly serviced, particularly in hard water areas. **The water supplies must be isolated remote from the valve before removal.** Remove the valve body by unscrewing the connecting nuts and detach from the wall mounts. To access the check valves remove the retaining nuts and prise out the check valve (retaining nut has a left handed thread). Check their conditions then reassemble and turn on the water supply.

Should either valve need to be dismantled for maintenance then the procedure is:

Temperature Control Valve (See Fig. 4):

- 7.2.2. Turn off water supply. Remove the temperature control handle (1), by removing handle cap, loosening screw and pulling the handle off the cartridge (2) spindle.
- 7.2.3. Unscrew the cartridge (2) from the mixer body. Check its condition i.e. Thermostat (3), shuttle (4), spring (5) and seals.
- 7.2.4. Reassemble the valve after having cleaned the inside of the mixer body. **(See section 5.2. for setting).**

Flow Control Valve (See Fig. 6):

- 7.2.5. Turn off water supply. Remove the handle (a), by removing handle cap (c), loosening screw (b) and pulling the handle off the valve.
- 7.2.6. Unscrew valve from the mixer body and carefully clean seating and ceramic disc. Replace components and turn on the water supply. Contact our helpline if problem persists.

Hot and Cold Supply Temperatures

Minimum recommended:	60°C
Maximum Hot Supply:	80°C
Maximum Cold Supply:	25°C

Please Note: The inlet hot water temperature must be at least 10°C Above the required blend temperature to ensure that safety shut off will work.

3. Pack Contents Checklist

Bar Shower Body	(x1)
Pole with body jets and diverter	(x1)
Wall mounts (15mm x G ³ / ₄ "	(x2)
Hose and rub clean handset	(x1)
Rub clean rose	(x1)

4. Installation

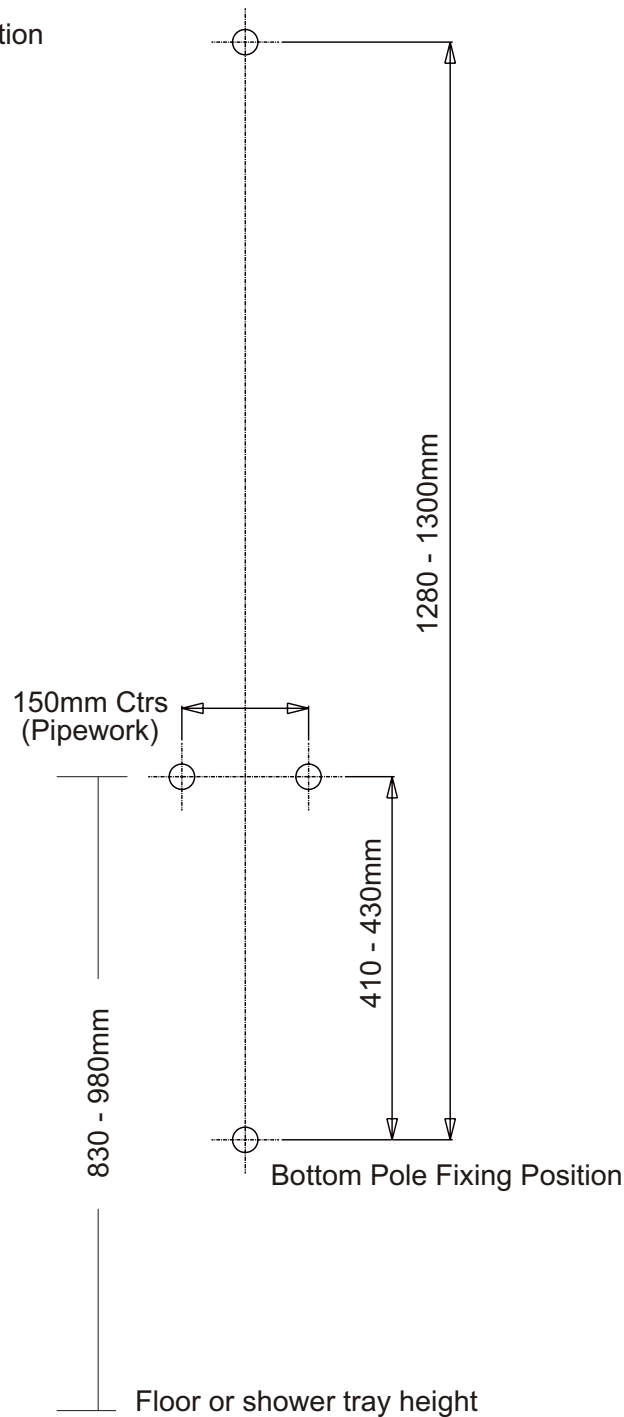
- 4.1. Identify all components and check for completeness, particularly before arranging fitting.
- 4.2. This mixer should be installed in compliance with Water Regulations. For further details contact your Local Water Authority.
- 4.3. This bar shower is suitable for use with the following systems:
(Min. 1.5 bar supply pressure)
- Unvented Systems
 - Gas Combination Boiler
 - Pumped System
- 4.4. Before connecting the mixer, water should be flushed through the system to remove any debris.

Top Pole Fixing Position

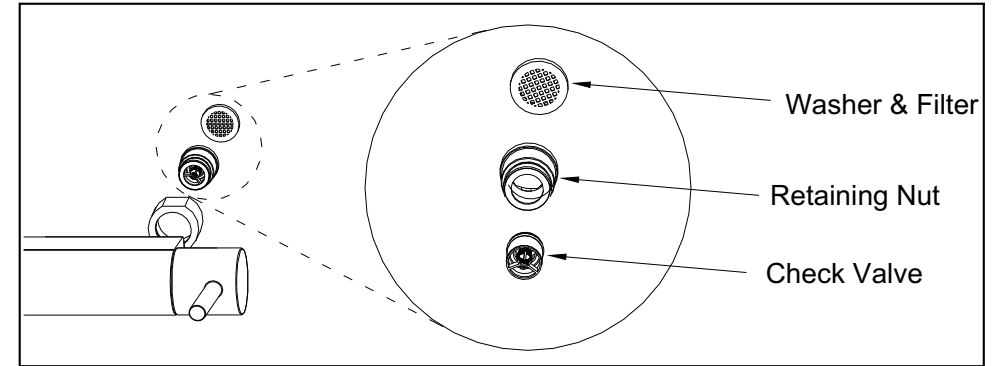
Fig. 1 Installation measurements

Note:
The dimensions are for reference only and may change subject to manufacturing processes.

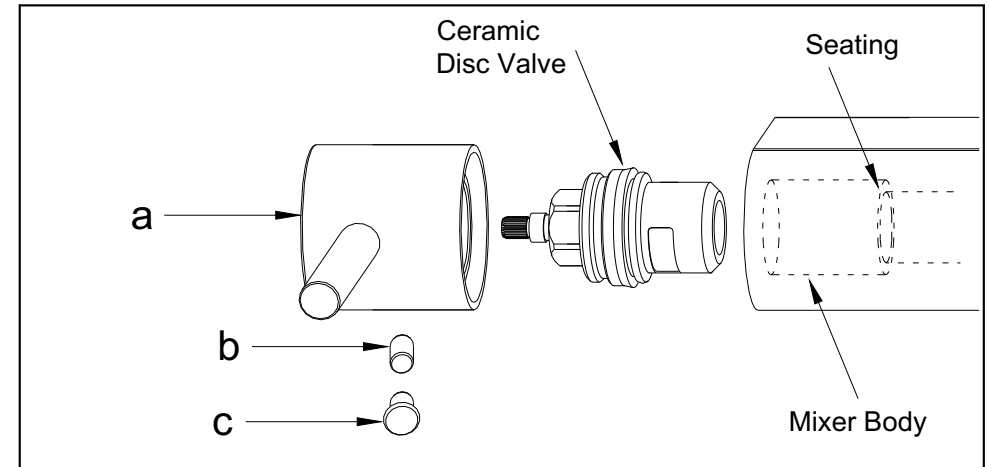
For the best fit, assemble the shower pole prior to tiling / drilling, measure the fitting distance (maybe different from diagram), then install by competent persons. If in doubt call the supplier.



Check Valve & Filter Fig. 5



Flow Control Valve Fig. 6



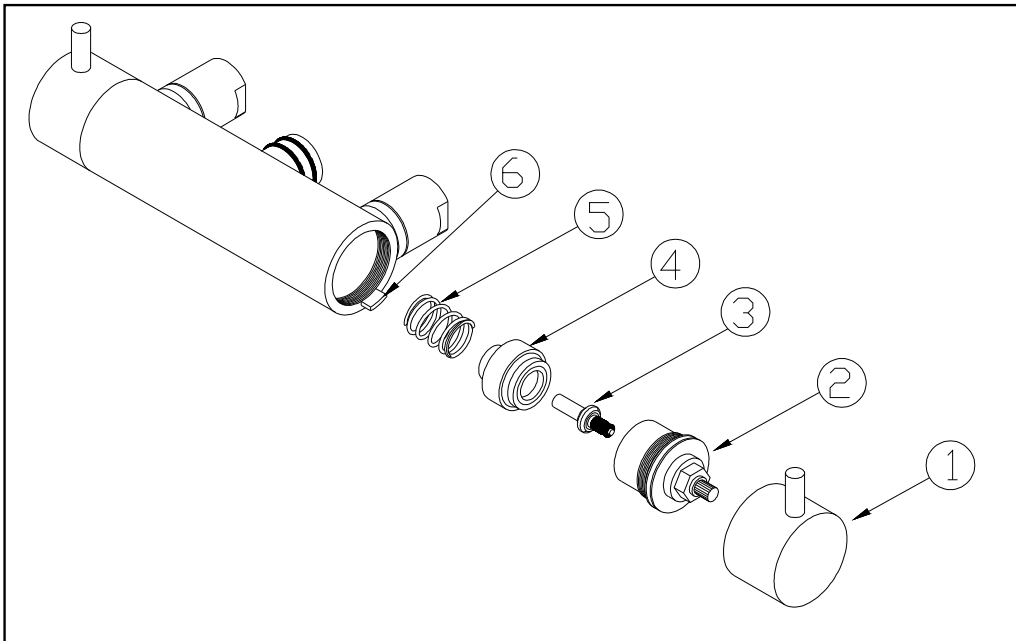
6. General Fault Diagnosis

If your valve fails to function correctly, the following should be checked:

- 6.1. Check that the hot and cold connections are the correct way around. Hot on The left, cold on the right.
- 6.2. Ensure that the hot water temperature is adequate. The recommended Minimum temperature is 60°C. the hot temperature should be at least 10°C Higher than the blend temperature to ensure that the safety shut off will work.

- 5.2.2. Turn on the water supplies and fully open the flow control letting the water run long enough to ensure that the hot water supply is at its maximum temperature.
- 5.2.3. Turn the temperature control anti-clockwise to its maximum position and check the outlet temperature. It has been factory set to 43°C.
- 5.2.4. **Whilst the water is flowing** remove the temperature control handle (1), by removing handle cap, loosening screw and pulling the handle off the cartridge (2).
- 5.2.5. Turn the spindle on the cartridge (2) until the required maximum temperature is achieved, anti-clockwise to increase the temperature and clockwise to reduce it.
- 5.2.6. Refit the handle so that the stop pin in the handle (1) is at the maximum position on the body (6), tighten screw and replace cap.

Temperature Control Valve (Fig. 4)



4.5. Shower and pole (See Fig. 1 and Fig. 3)

- 4.5.1. It is important to take into consideration the overall size of the pole to ensure You can fit both halves in when positioning the shower valve.
- 4.5.2. Determine correct position and orientation for the shower and plumb up for the Hot and cold supplies. **Hot on the left, cold on the right.** To use the wall Mounts supplied with this product you must leave 30mm of 15mm pipework protruding from and perpendicular to the finished wall at 150mm centres. Finish wall. Assemble the top pole (6), bottom pole (22) with the diverter body, securing them using the retaining screws (17)
- 4.5.3. Place the wall bracket (20) over the pipework and mark out the positions of the fixing screws (21) (ensure these are not going to foul the supply pipes). Drill four holes in the positions marked to suit the screws/plugs (19) supplied. Insert plugs into holes and screw the wall brackets (20) into position.
- 4.5.4. Place the olives (5) onto the pipes and screw the threaded adapters (4) onto the wall brackets (20). Using two spanners one on the wall bracket (20) and another on the threaded adapter (4) tighten the threaded adapter (4) onto the olive (5) to create a water tight seal. Screw shrouds (3) onto the threaded adapters (4).
- 4.5.5. Trial fit mixer body (1) to the wall mounts. Place the washers with filters (2) into the connecting nuts and tighten to the wall mounts. The connecting nuts are secured to the mixer body by the retaining nuts (Fig. 3, page 8).
- 4.5.6. Remove the bar shower once satisfied with the fit. Measure and mark out the required positions of the pole's wall brackets (15) working to the installation dimensions on page 4.
- 4.5.7. Drill two holes to suit wall plugs supplied (if required). Attach both pole wall brackets (15) using the screws and wall plugs supplied (16 & 14).
- 4.5.8. Attach the hose to the hose outlet (18) using a small washer (10), attach cone end to the handset using another small washer (10). Offer the pole up to the wall brackets (15) and secure using the grub screws on the pole wall brackets (15).
- 4.5.9. Attach the shower valve once again, ensure the diameter and 'o' rings on the back of the valve engage completely into the bore on the pole.

5. Operation & Setting

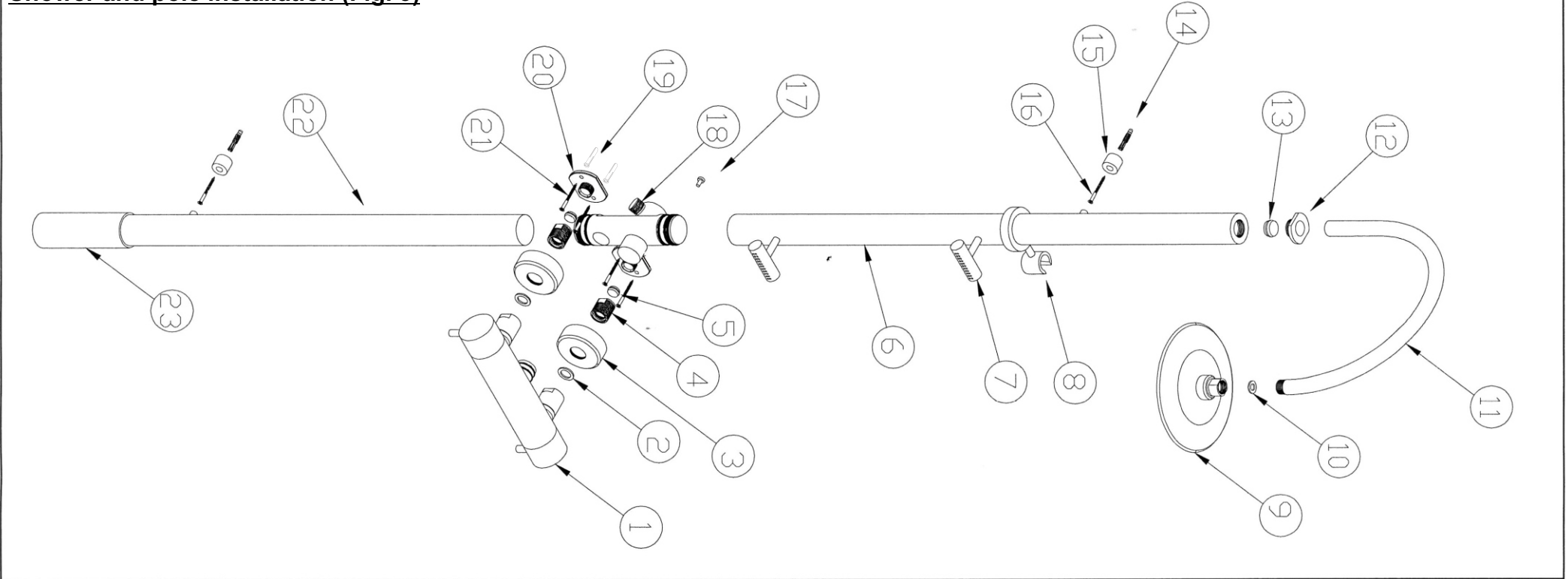
5.1 Operation

- 5.1.1. There are two control handles on the shower. Turn the flow control handle (left) anti-clockwise to turn on and increase the flow, and clockwise to decrease and turn off. On the temperature control handle (right) turn anti-clockwise for hot and clockwise for cold. Pulling out the diverter knob will switch to the handset from the rose, whilst the rose is selected the body jets can be turned on by pushing the jets toward the pole.

5.2 Setting (See Fig. 2)

- 5.2.1. The maximum temperature can be adjusted to suit site conditions or user preference. To adjust this, follow this procedure:

Shower and pole installation (Fig. 3)



- | | | | | | |
|----------------------|------|------------------------|------|------------------|------|
| 1. Mixer body | (x1) | 11. Arm | (x1) | 21. Screws | (x4) |
| 2. Filter washers | (x2) | 12. Arm retaining nut | (x1) | 22. Bottom tube | (x1) |
| 3. Shrouds | (x2) | 13. 22mm olive | (x1) | 23. Floor shroud | (x1) |
| 4. Threaded adapters | (x2) | 14. Wall plug | (x2) | | |
| 5. 15mm olives | (x2) | 15. Pole wall bracket | (x2) | | |
| 6. Top pole | (x1) | 16. Pole fixing screws | (x2) | | |
| 7. Body jet | (x2) | 17. Retaining screw | (x2) | | |
| 8. Handset cradle | (x1) | 18. Hose outlet | (x1) | | |
| 9. Rub clean rose | (x1) | 19. Wall Plugs | (x4) | | |
| 10. Small washers | (x3) | 20. Wall bracket | (x2) | | |