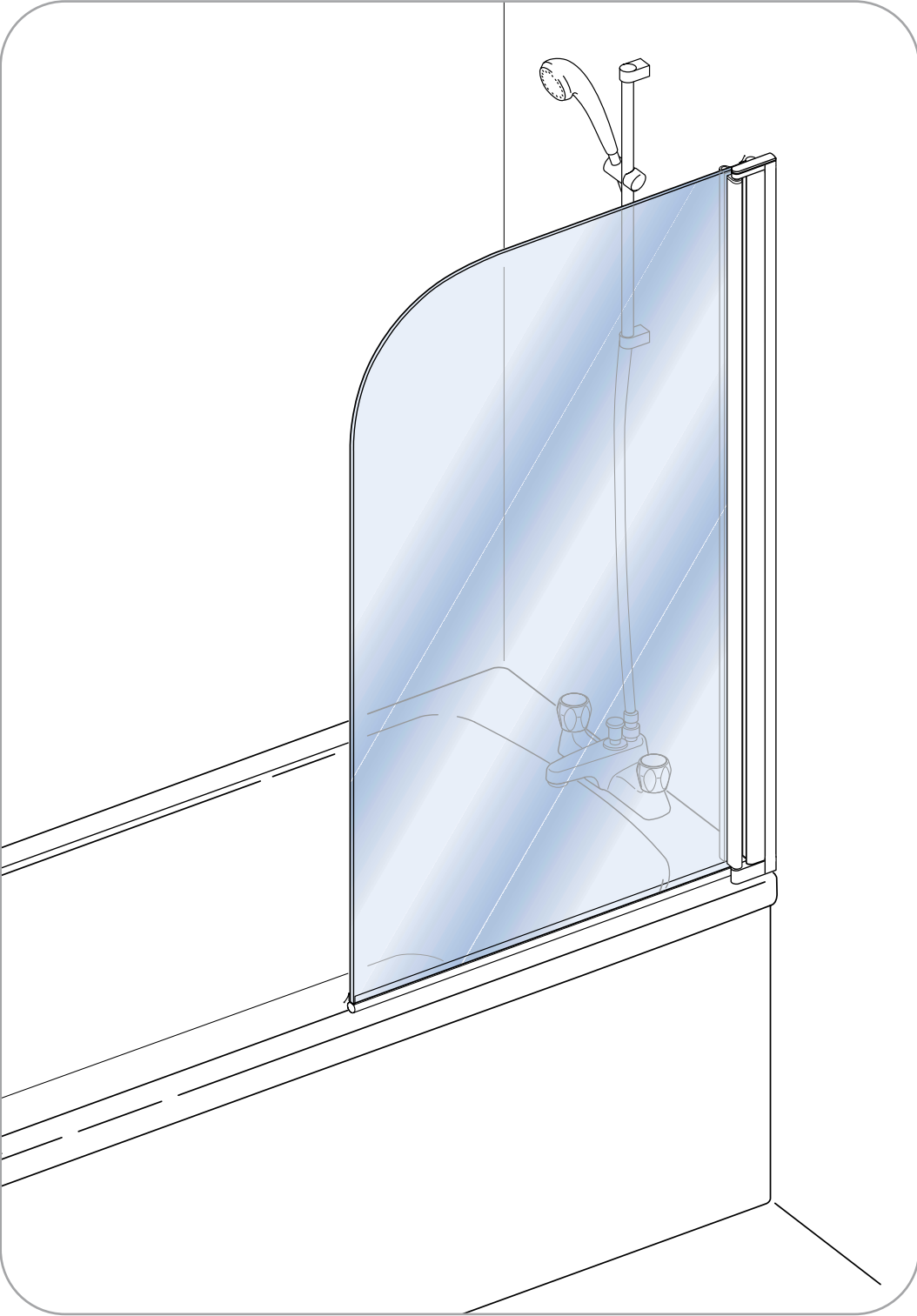
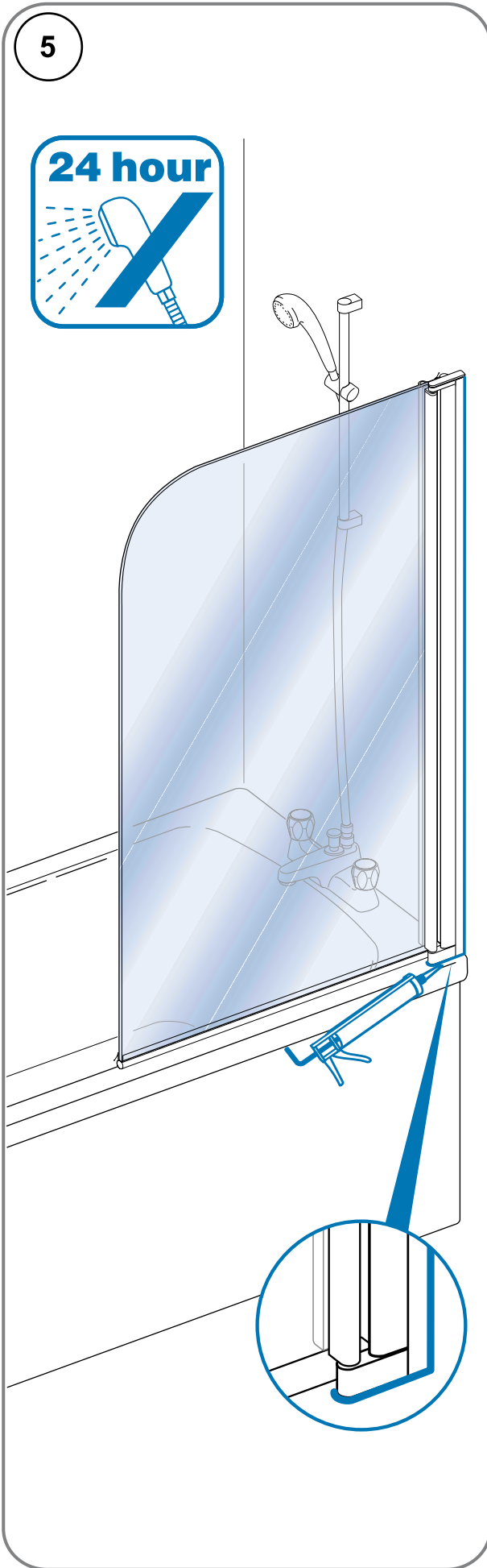
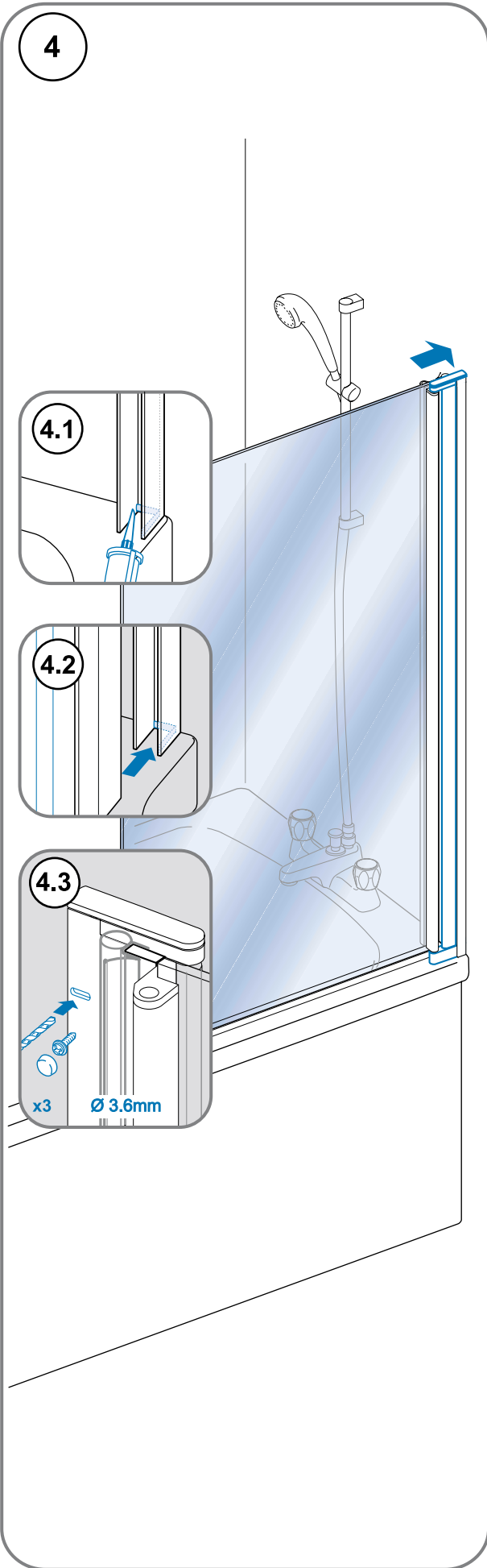


Medium Half Framed Bath Panel PA11930

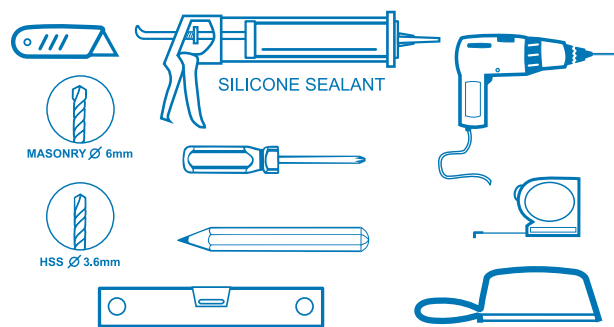
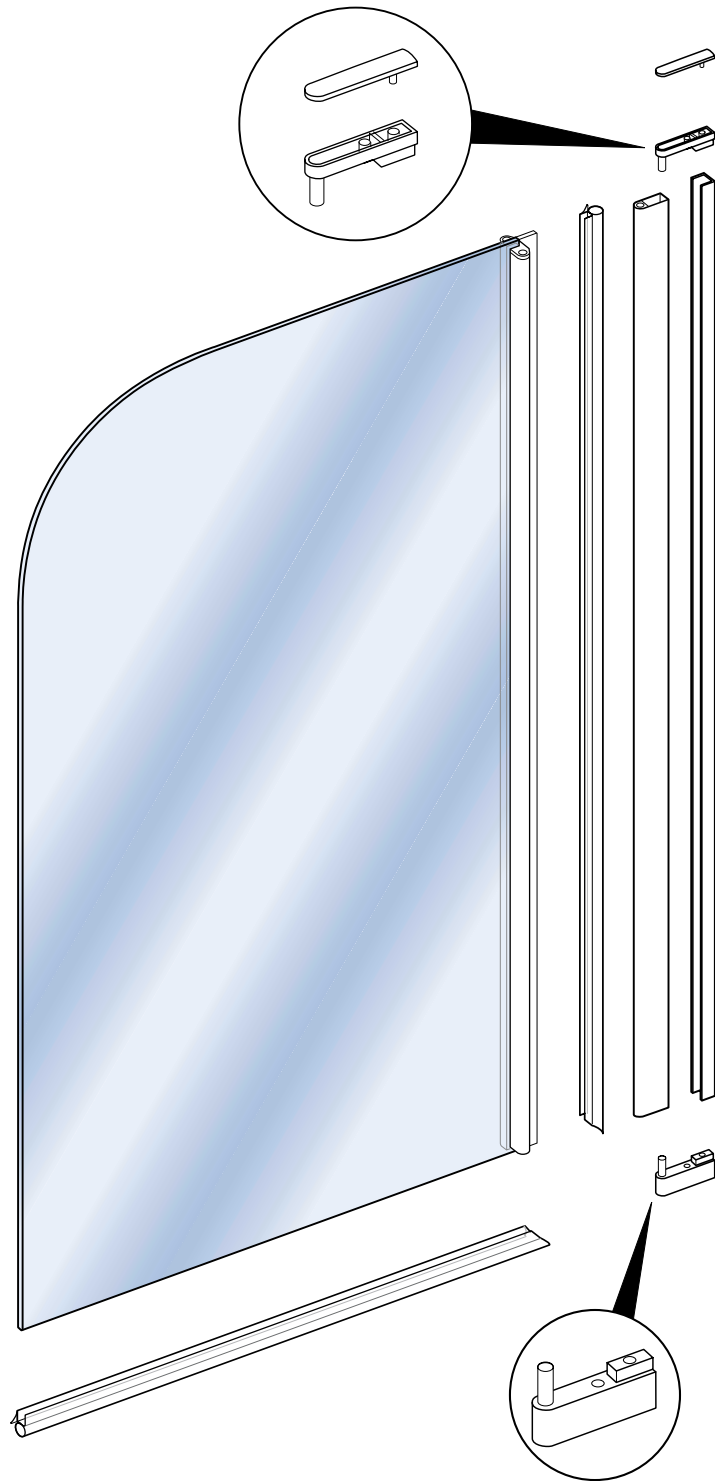


Step-by-Step Installation Guide

REF: PA11930
Issue No.: A
Date: 20/04/04

REF: PA11930
Issue No.: A
Date: 20/04/04

Medium Half Framed Bath Panel Components



0870 241 6131

LINES OPEN: 8.30am - 5.00pm MONDAY - FRIDAY
STANDARD NATIONAL CALL CHARGE RATE
FROM BT LANDLINES

