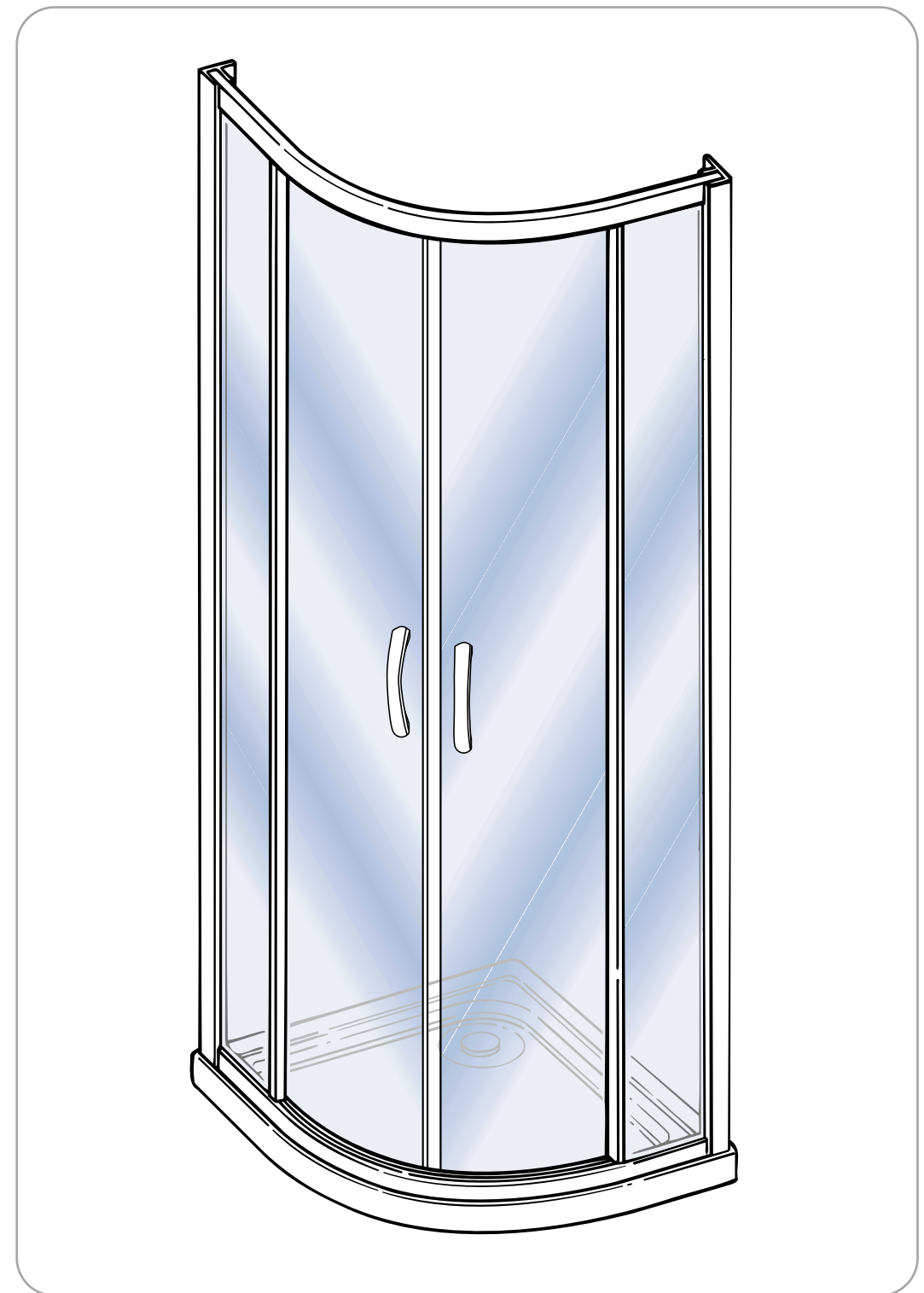


# Elite Quadrant Shower Enclosure PA13850

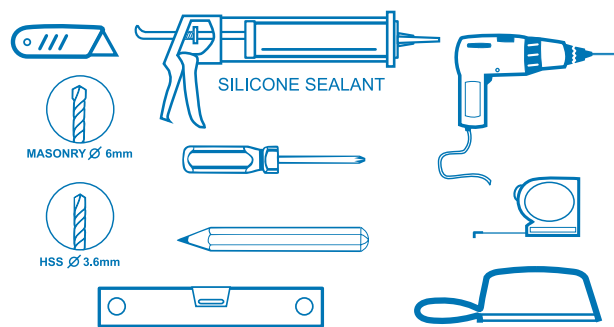
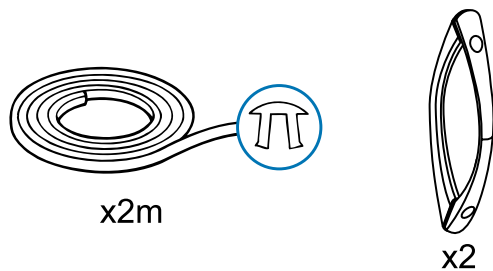
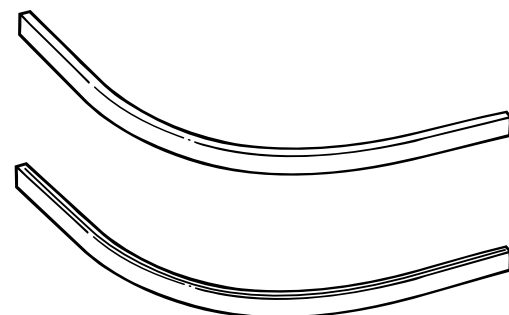
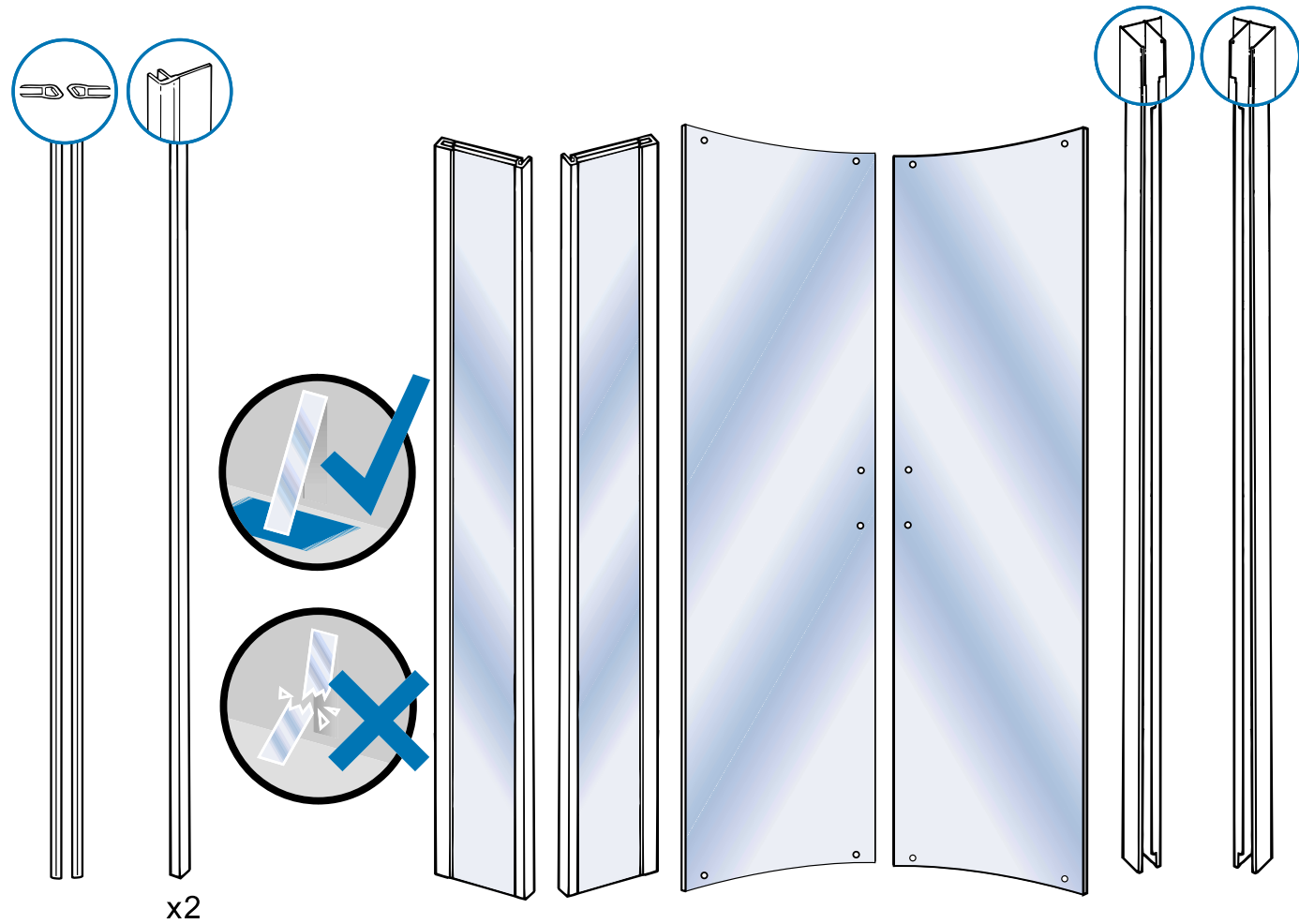


## Step-by-Step Installation Guide

REF: PA13850  
Issue No.: A  
Date: 29/04/04

REF: PA13850  
Issue No.: A  
Date: 29/04/04

# Quadrant Shower Enclosure Components



**0870 241 6131**  
 LINES OPEN: 8.30am - 5.00pm MONDAY - FRIDAY  
 STANDARD NATIONAL CALL CHARGE RATE  
 FROM BT LANDLINES

