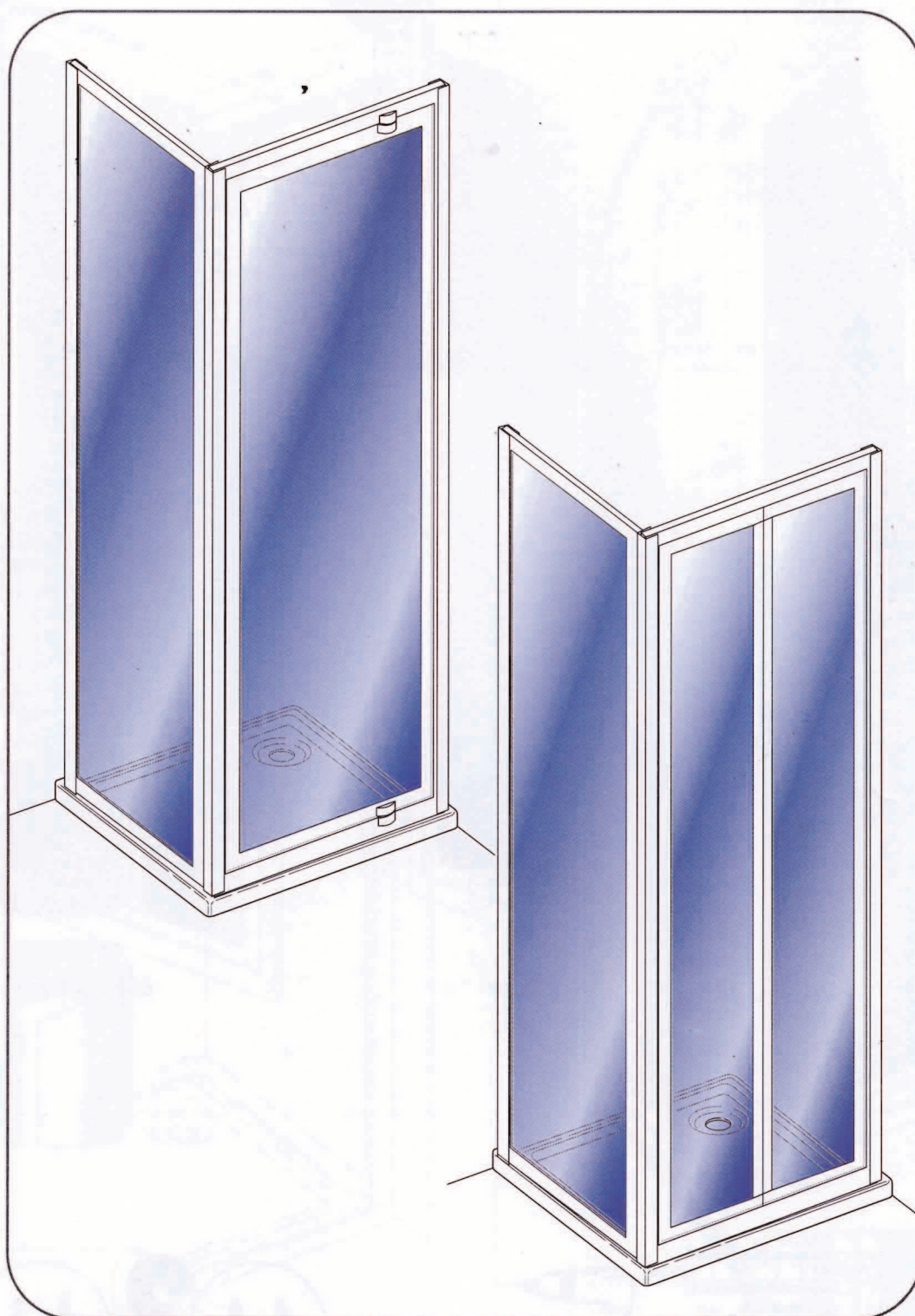


Pivot / Bi-Fold Shower Enclosure

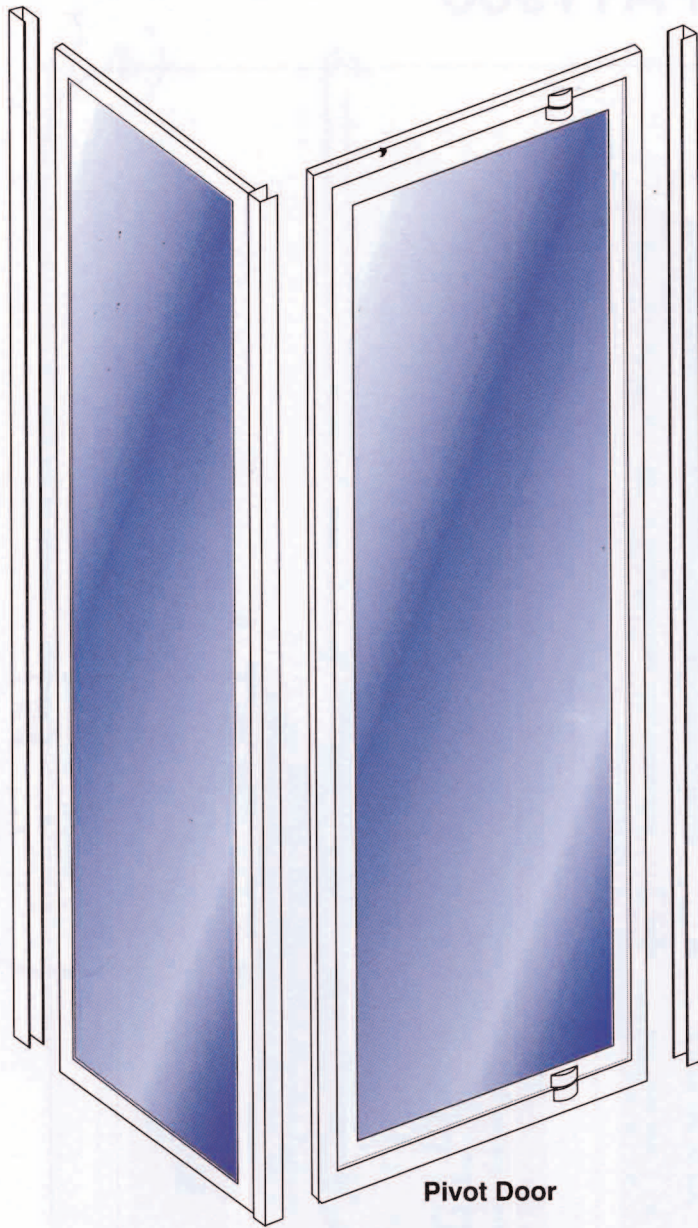
PA11900



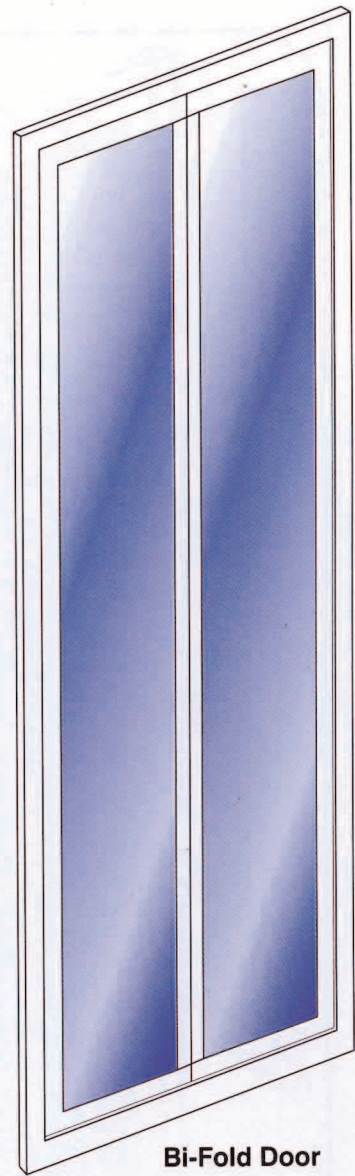
Step-by-Step Installation Guide

REF: PA11900
Issue No.: A
Date: 20/04/04

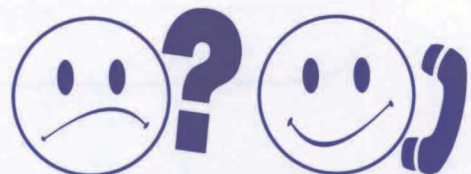
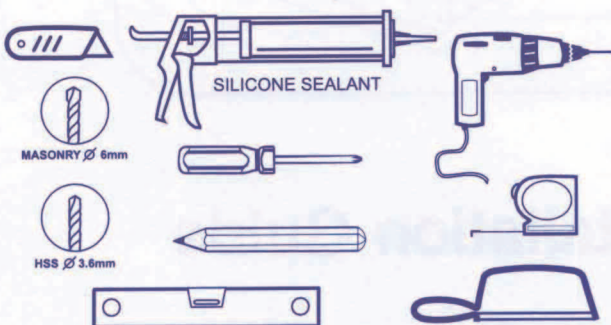
Pivot / Bi-Fold Shower Components



Pivot Door

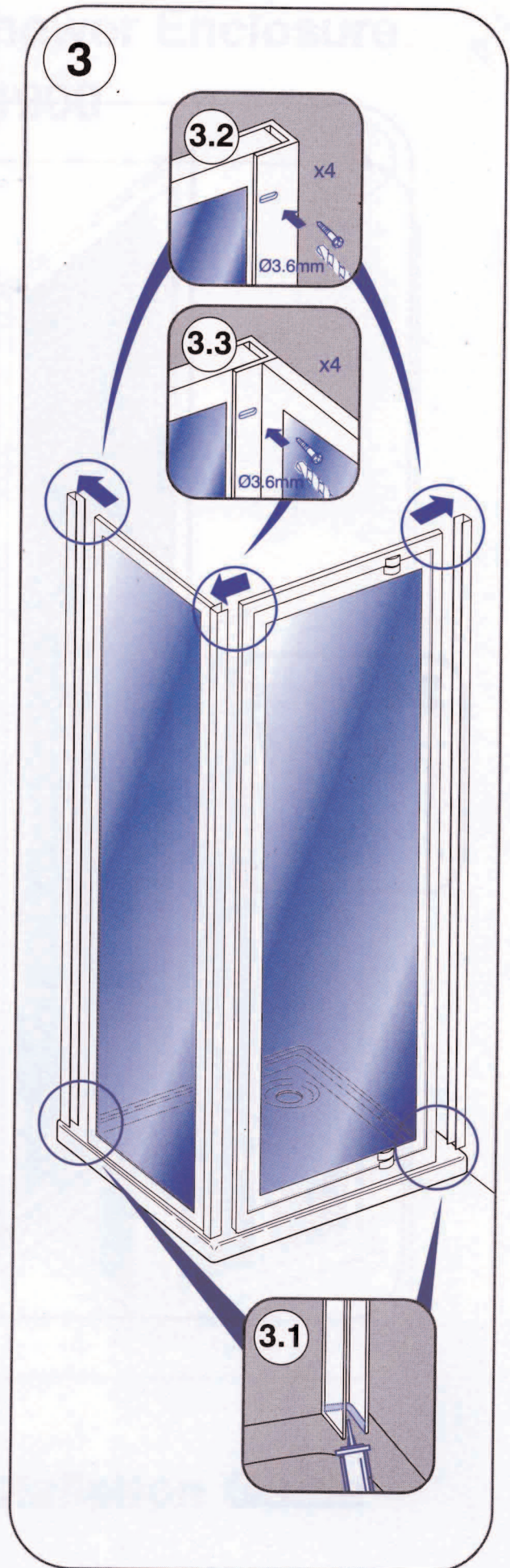
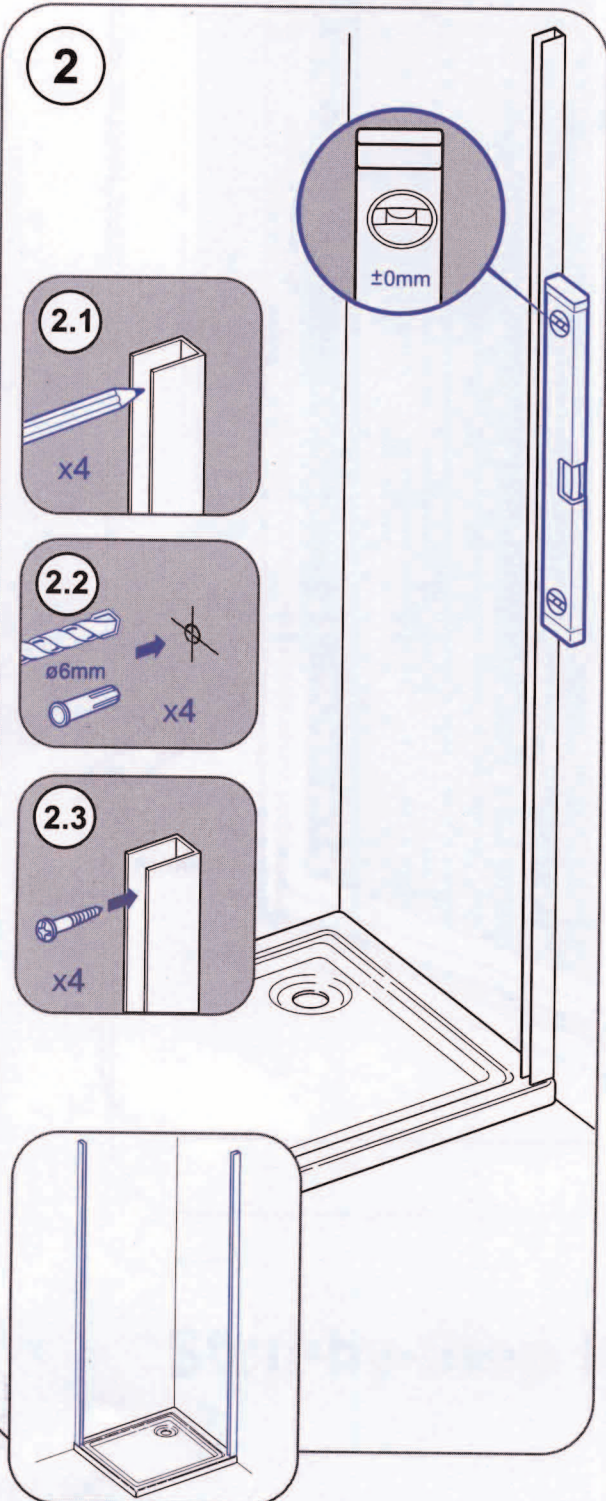
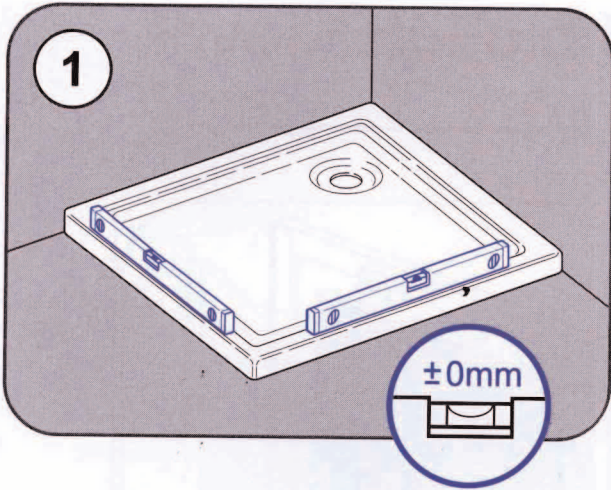


Bi-Fold Door

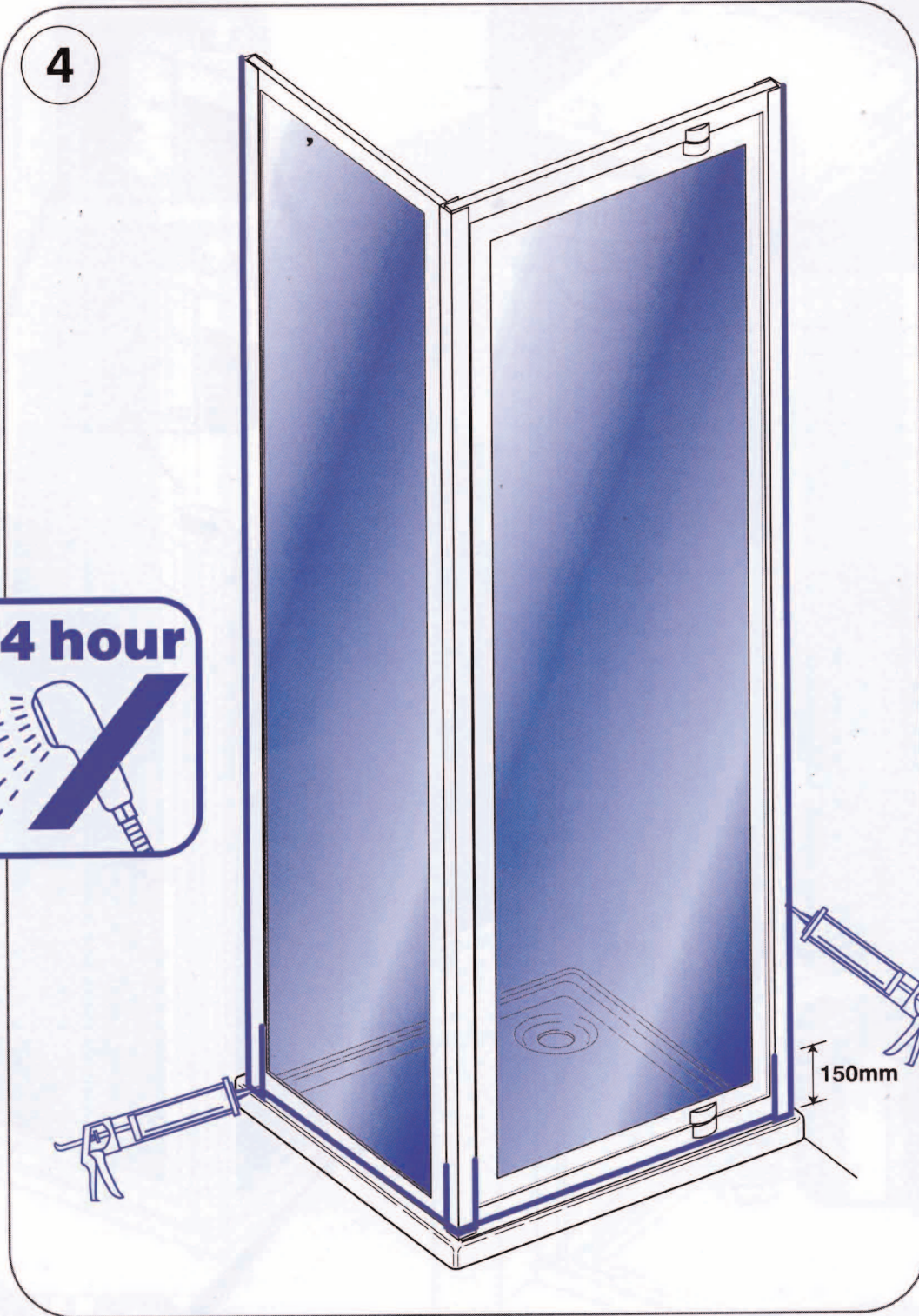


0870 241 6131

LINES OPEN: 8.30am - 5.00pm MONDAY - FRIDAY
STANDARD NATIONAL CALL CHARGE RATE
FROM BT LANDLINES



4



REF: PA11900
Issue No.: A
Date: 20/04/04