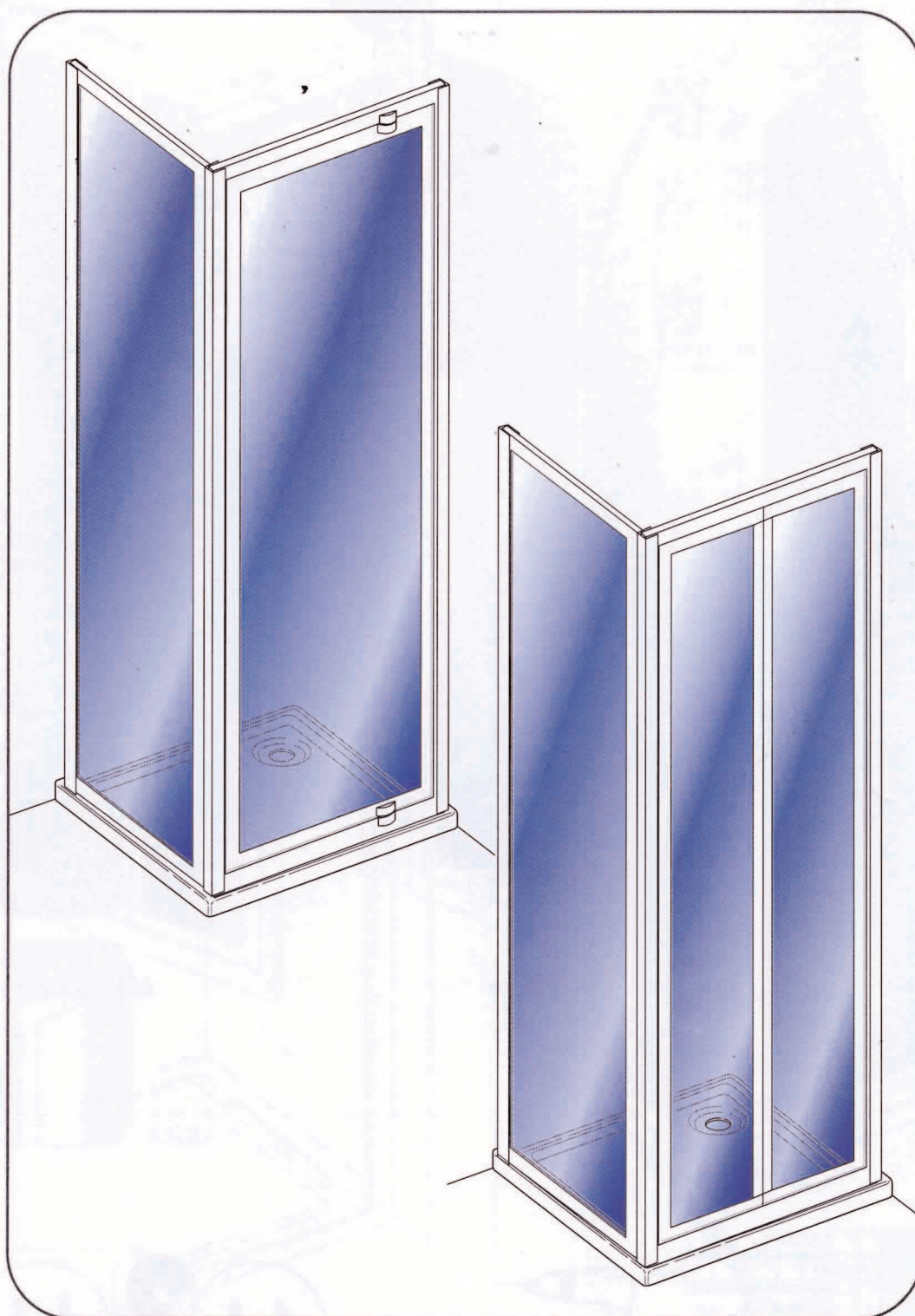


# Pivot / Bi-Fold Shower Enclosure

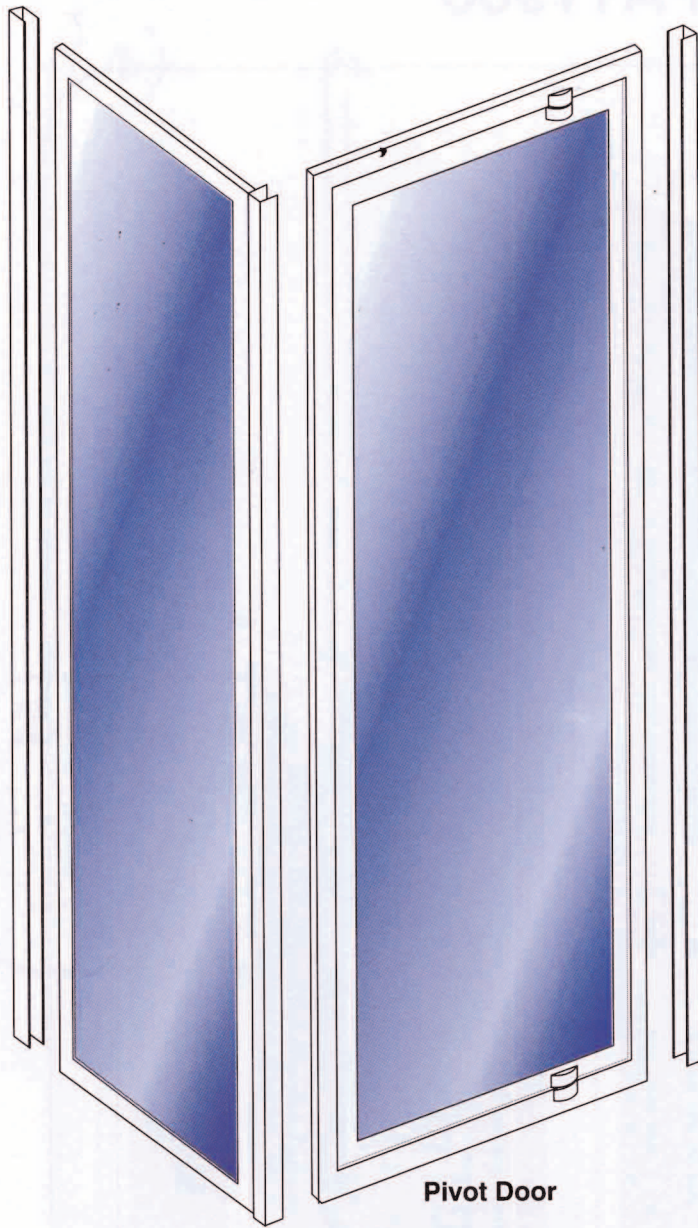
## PA11900



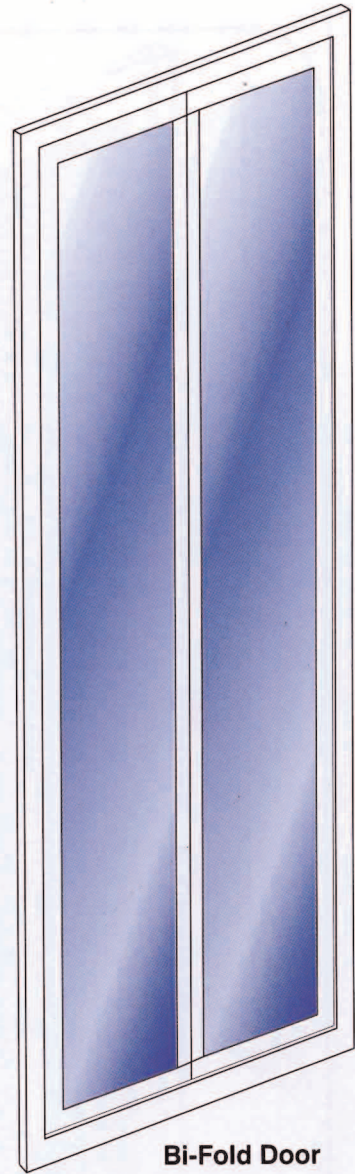
## Step-by-Step Installation Guide

REF: PA11900  
Issue No.: A  
Date: 20/04/04

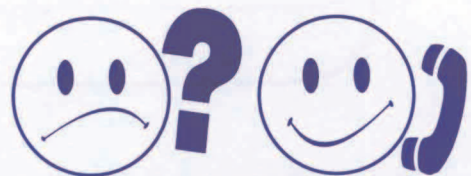
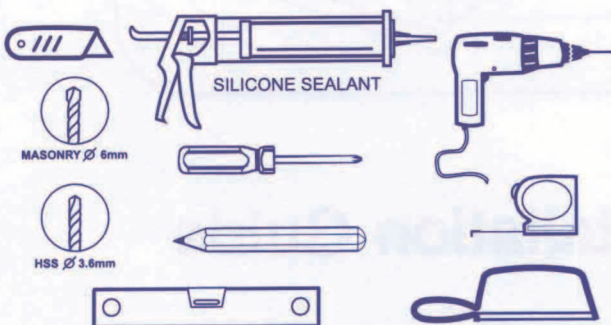
# Pivot / Bi-Fold Shower Components



Pivot Door

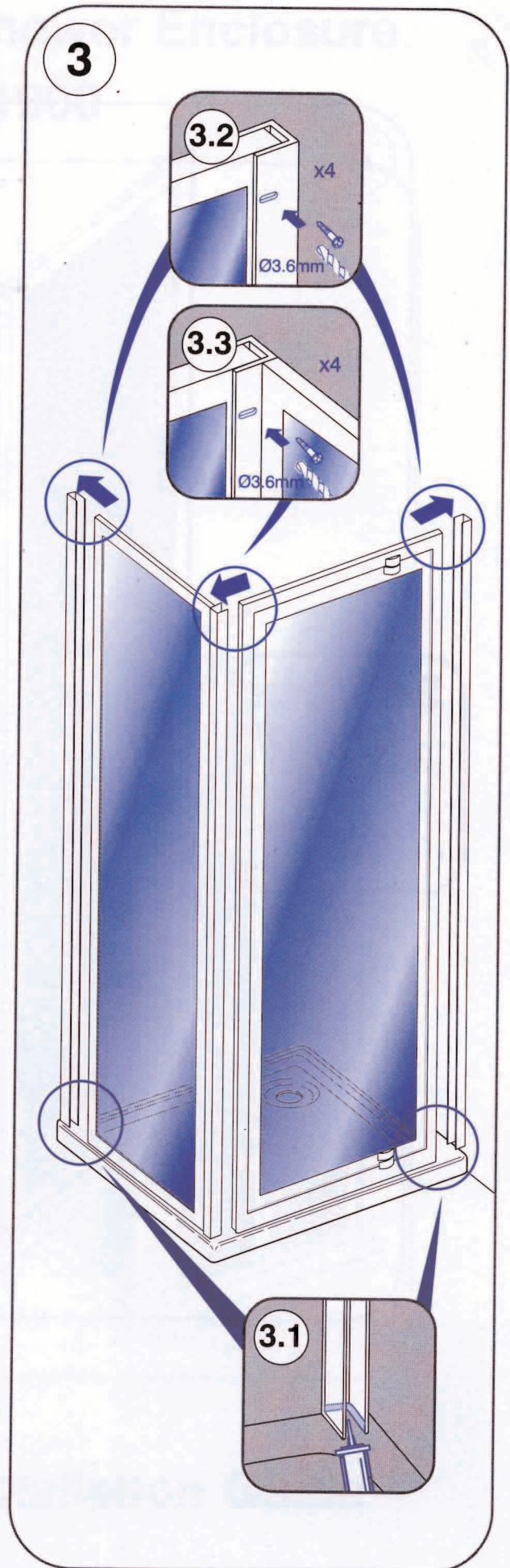
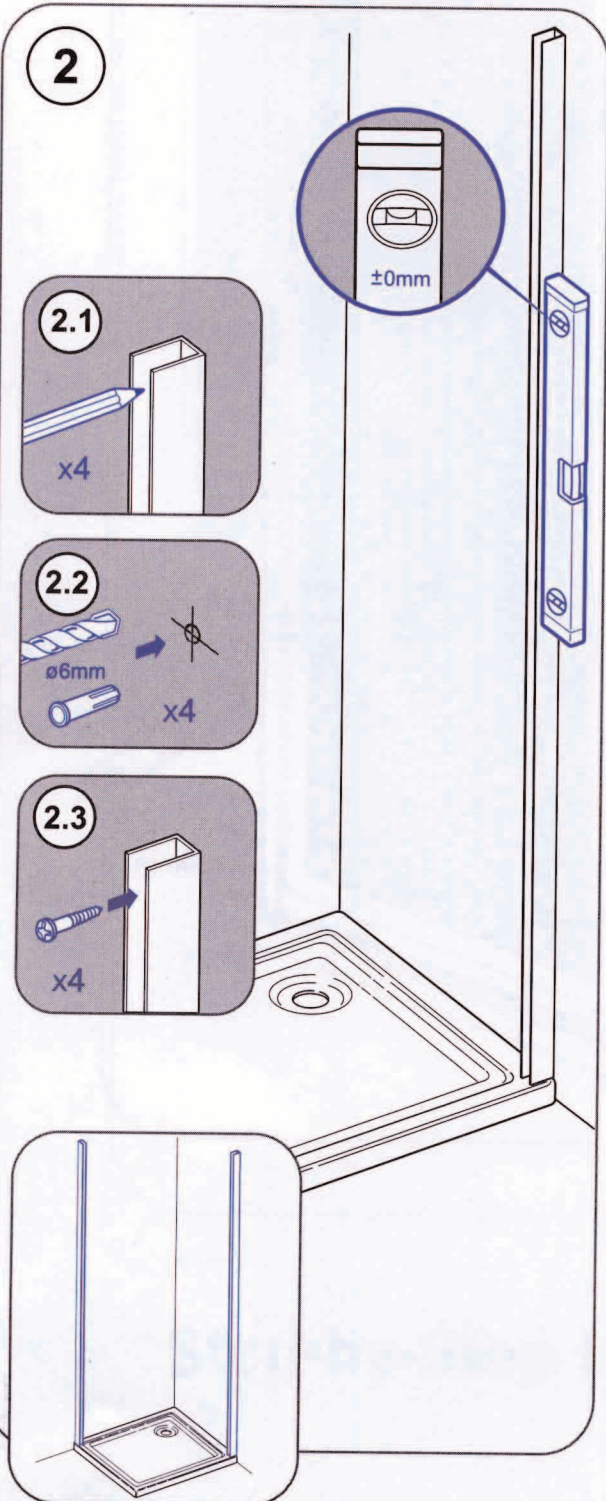
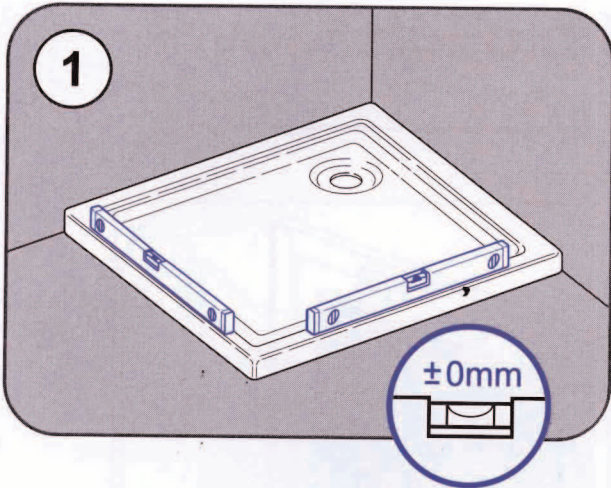


Bi-Fold Door

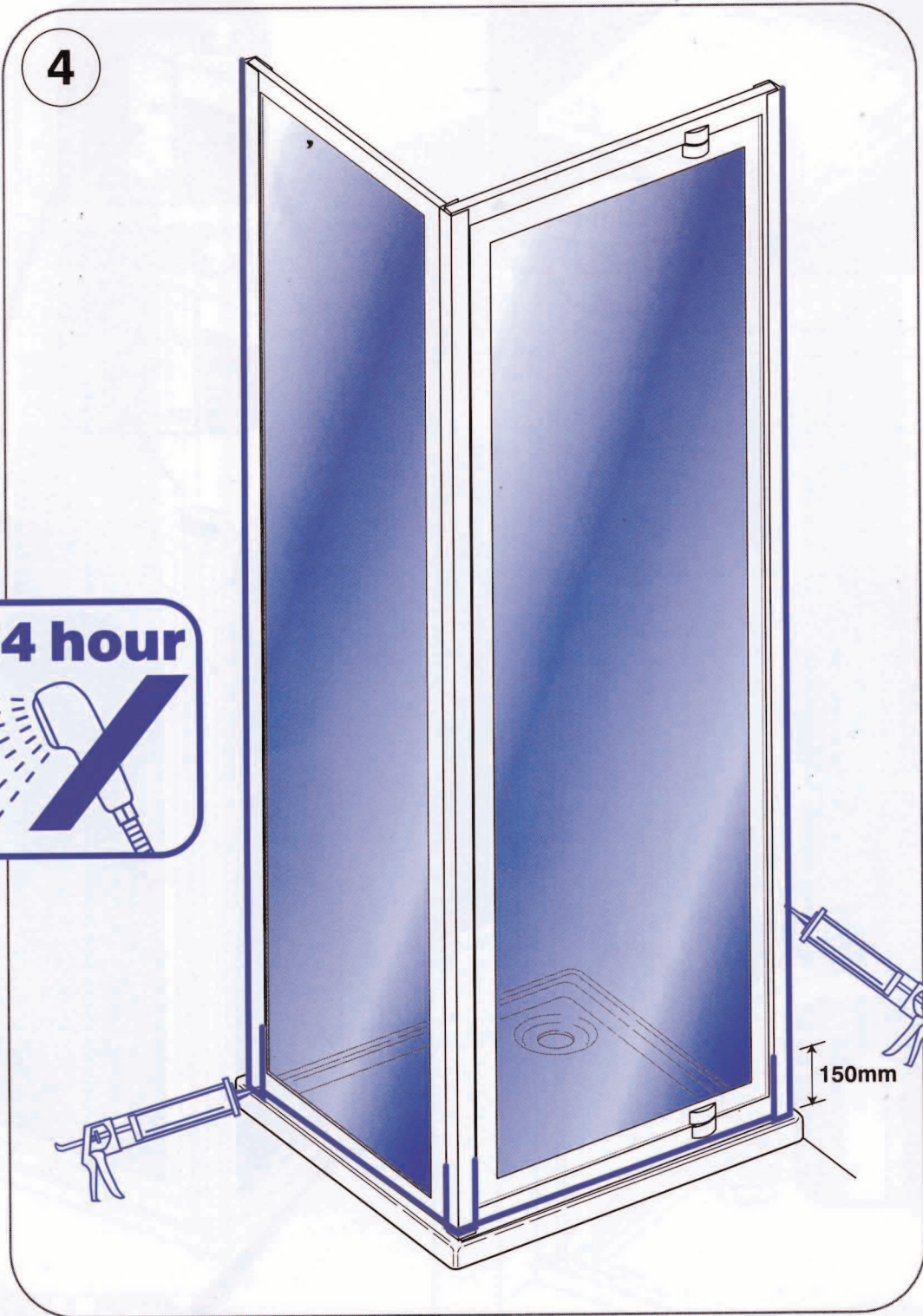


**0870 241 6131**

LINES OPEN: 8.30am - 5.00pm MONDAY - FRIDAY  
STANDARD NATIONAL CALL CHARGE RATE  
FROM BT LANDLINES



4



REF: PA11900

Issue No.: A

Date: 20/04/04