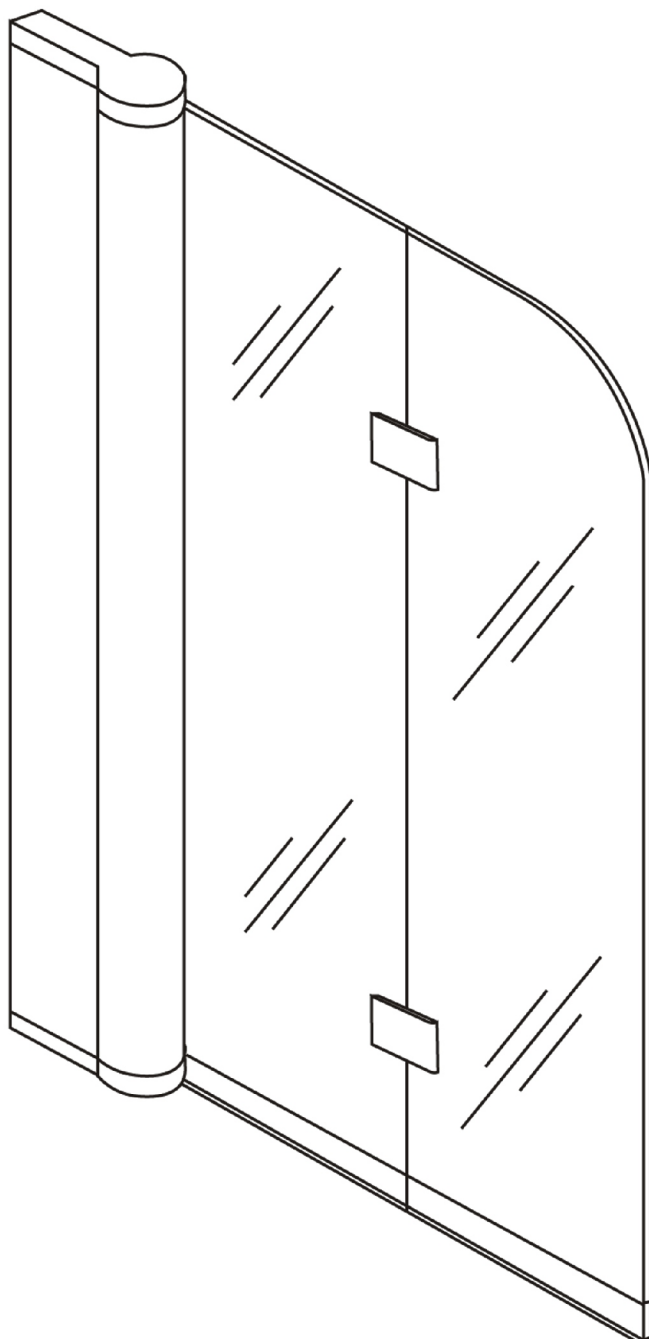


BRISTAN

Java 2 Panel Bathscreen



**2 Panel
Bathscreen
Left Hand Silver
J BS2L S**

**2 Panel
Bathscreen
Right Hand Silver
J BS2R S**

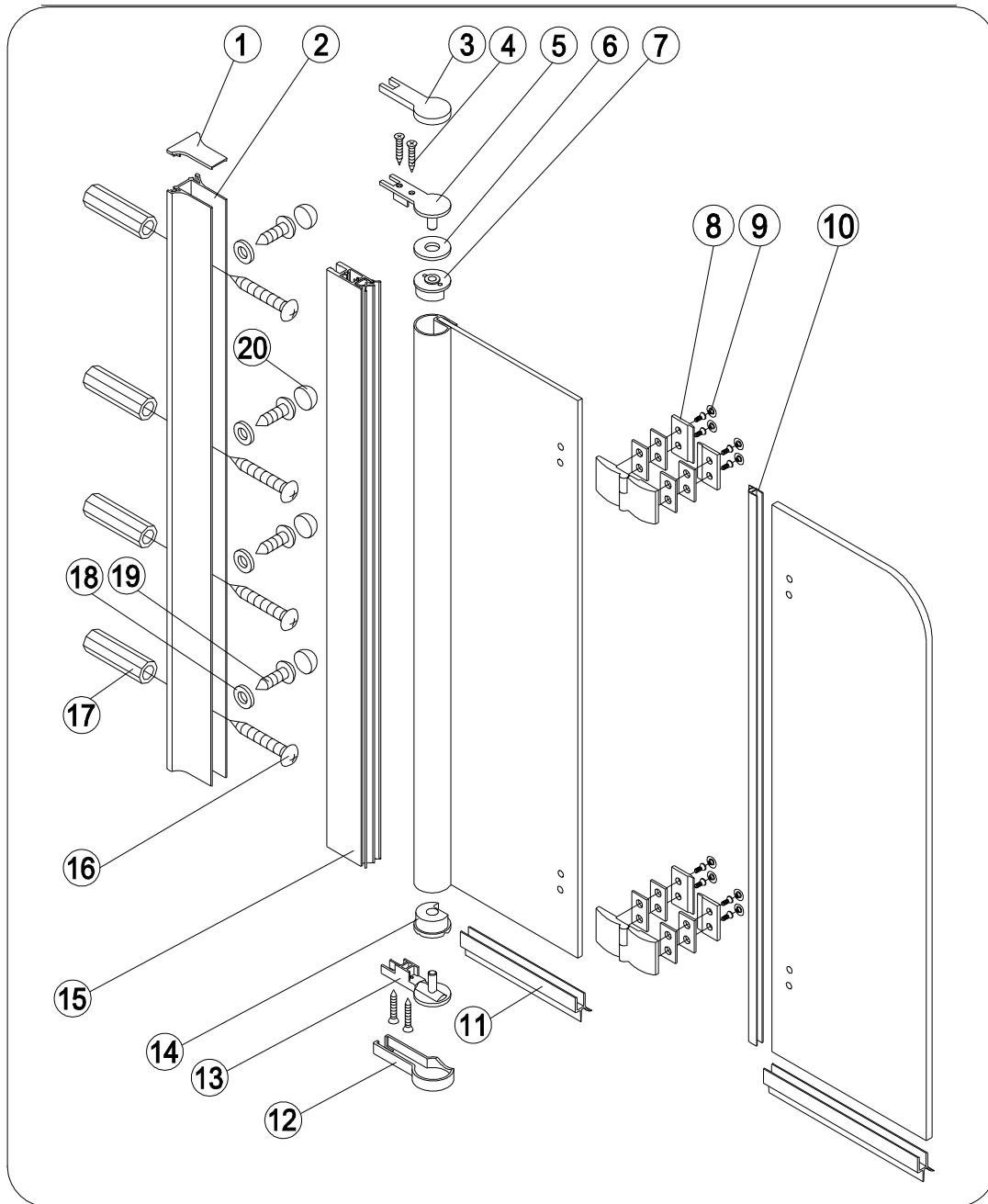
Bristan
Birch Coppice Business Park, Dordon, Tamworth, Staffordshire, B78 1SG
Customer Services: 0870 4425553
Email: enquire@bristan.com Web: www.bristan.com



installation instructions sheet

For latest prices and delivery to your door visit MyTub Ltd 0845 303 8383 www.mytub.co.uk

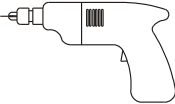



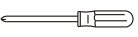
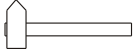
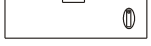
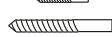
BRISTAN

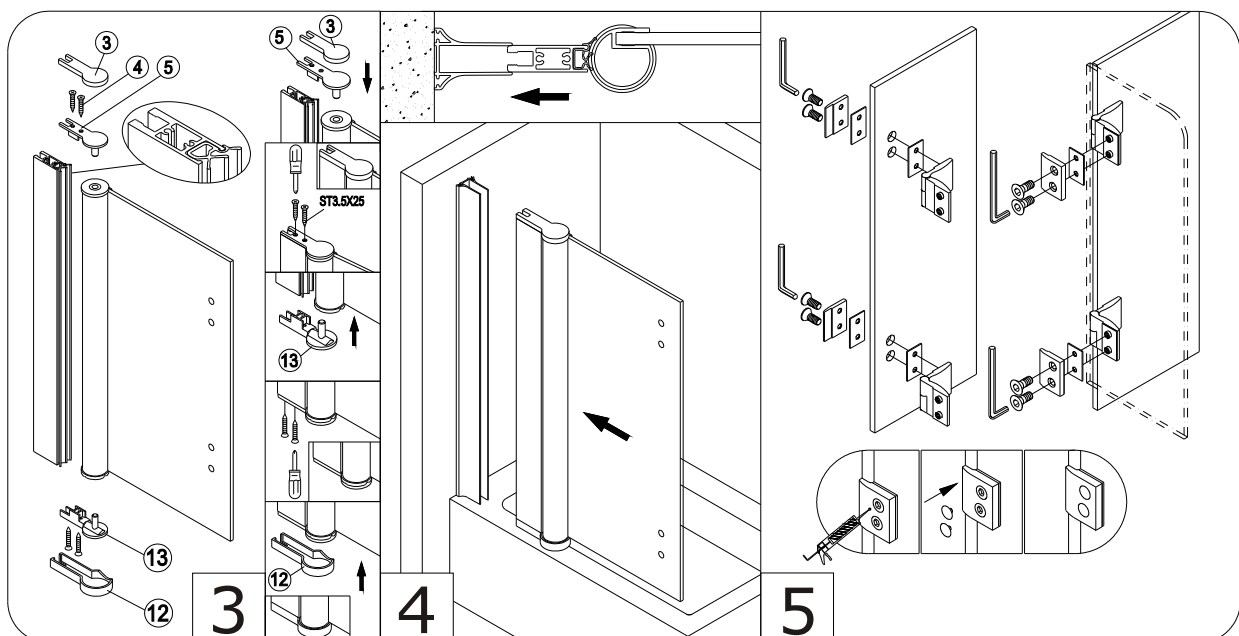
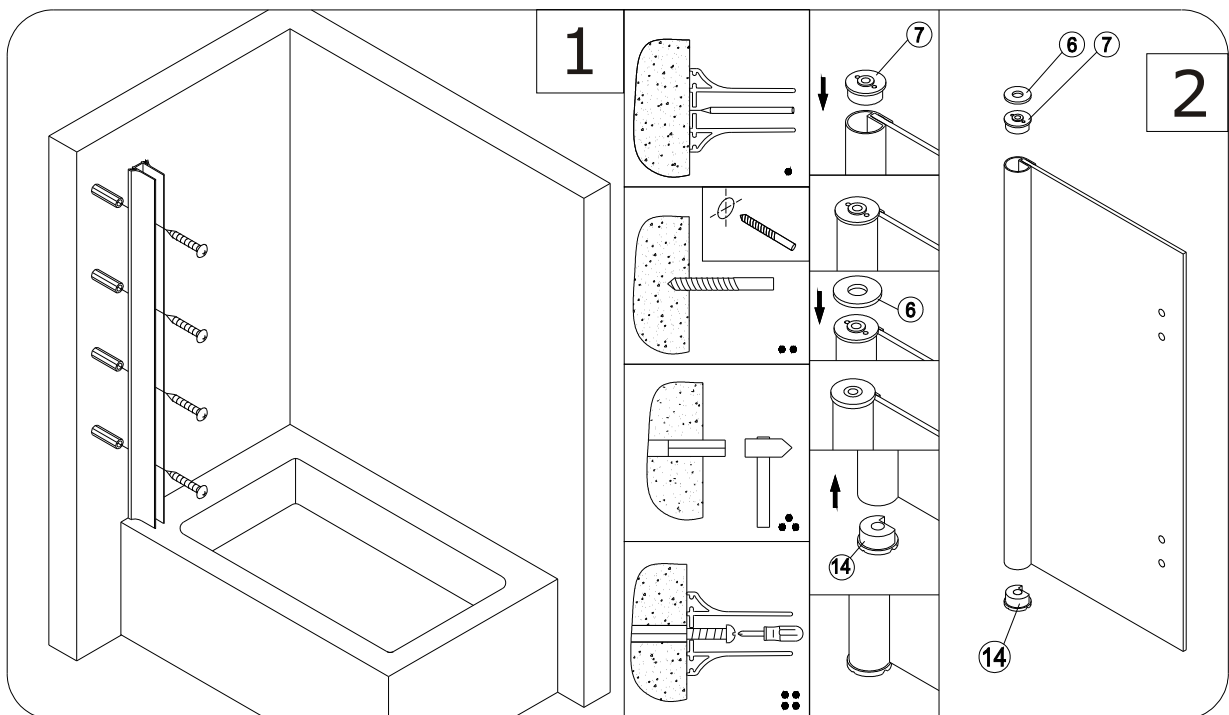


Item no.	Description	Quantity	Item no.	Description	Quantity
1	Wall Profile Cap 1	1	12	Bottom hinge cover	1
2	Wall Profile	1	13	Bottom pivot	1
3	Top hinge cover	1	14	Bottom pivot kit	1
4	ST3.5X25 Screw	4	15	Adjustable profile 2	1
5	Top pivot	1	16	ST5X30 Screw	4
6	Top hinge cover	1	17	Wall Plug	4
7	Top pivot kit	1	18	Washer	4
8	Hinges	2	19	ST4X12 Screw	4
9	Cap	8	20	ST4X12 Screw Cap	4
10	Waterproof Strip	1	21	Hexangular spanner	2
11	Bottom waterproof strip 2				

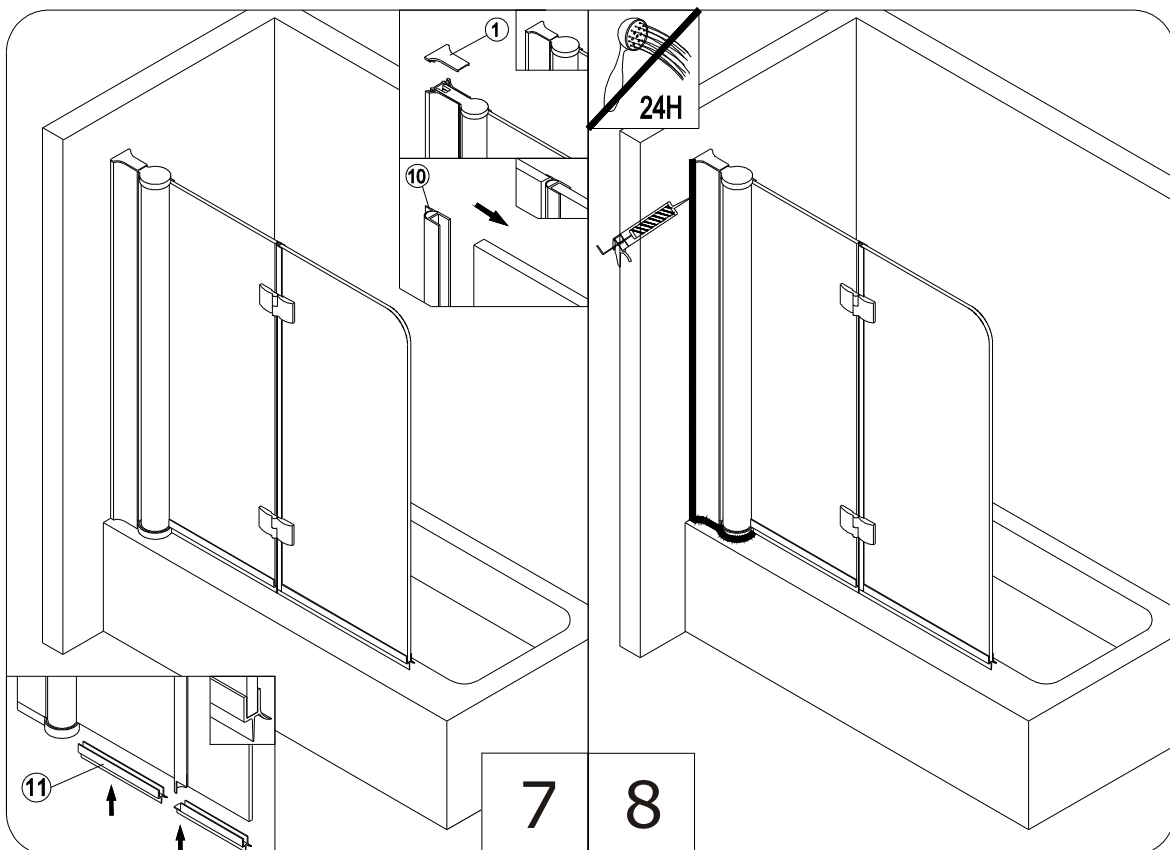
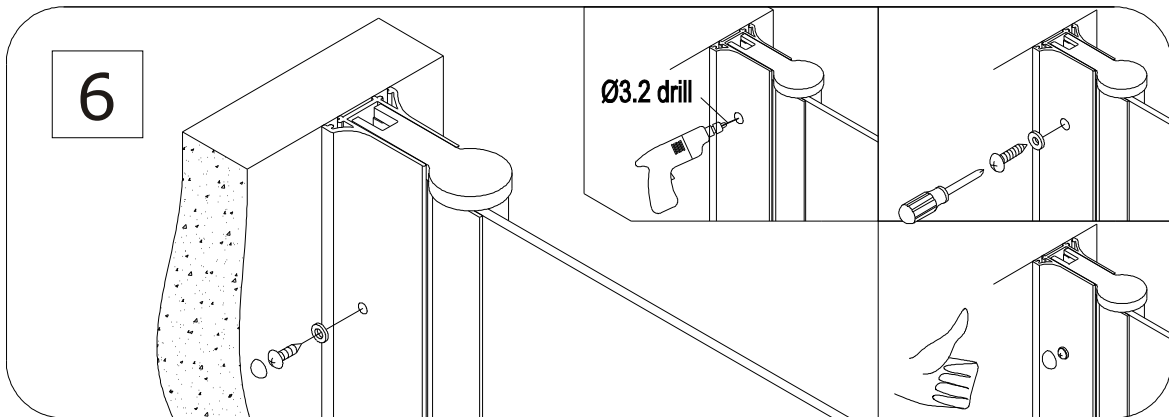
BRISTAN

Tools Required

			
Electric Drill	Pencil	Silicone	Tape Measure
			
Screwdriver	Mallet	Spirit Level	Drill Bit 3.2 6



BRISTAN



If you require any further assistance or information, please ring the Customer Services Helpline on: 0870 4425553.