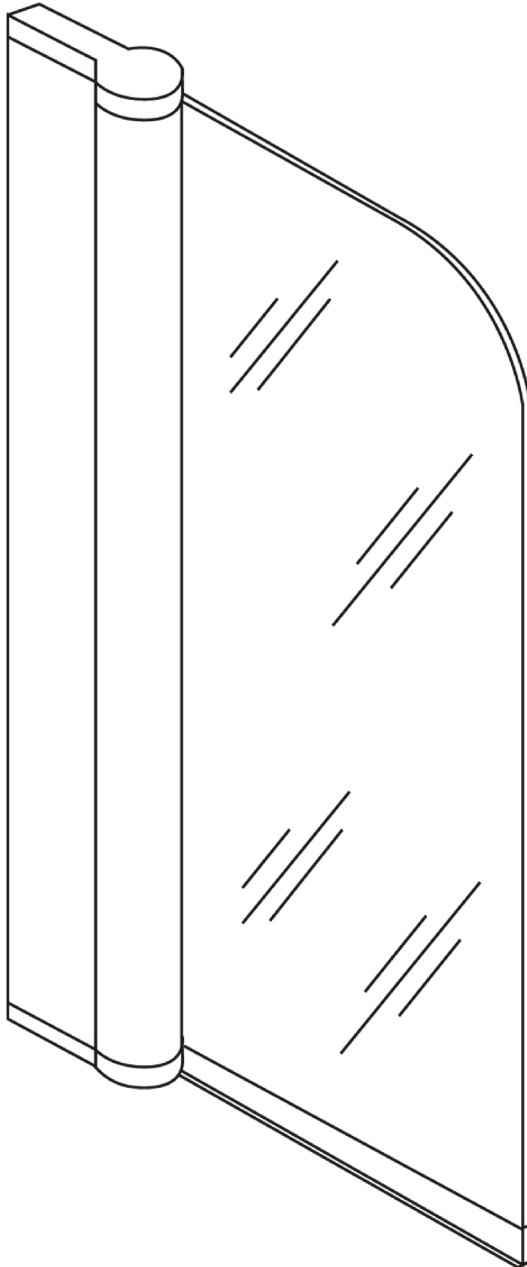


# BRISTAN

## Java 1 Panel Bathscreen



**1 Panel  
Bathscreen  
750mm x 1400mm  
Left Hand Silver  
J BS1L S**

**1 Panel  
Bathscreen  
750mm x 1400mm  
Right Hand Silver  
J BS1R S**

### **Bristan**

Birch Coppice Business Park, Dordon, Tamworth, Staffordshire, B78 1SG

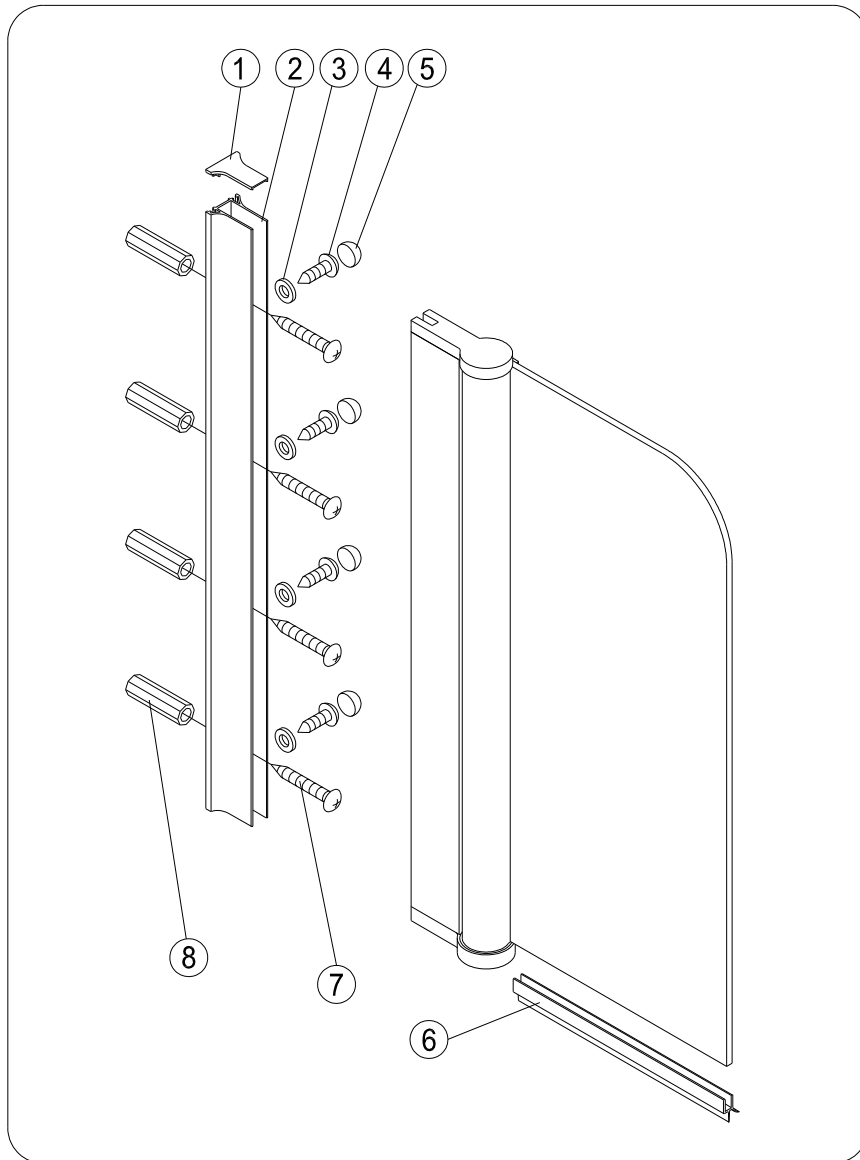
Customer Services: 0870 4425553

Email: [enquire@bristan.com](mailto:enquire@bristan.com) Web: [www.bristan.com](http://www.bristan.com)



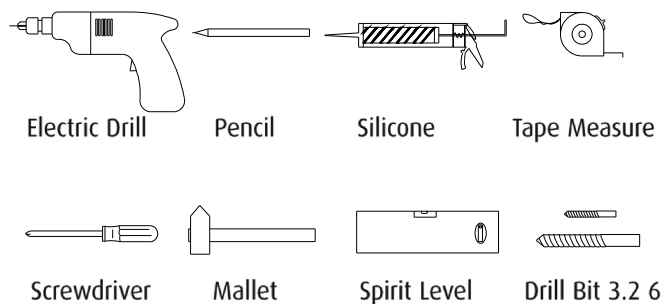
# installation instructions sheet

For latest prices and delivery to your door visit MyTub Ltd 0845 303 8383 [www.mytub.co.uk](http://www.mytub.co.uk)

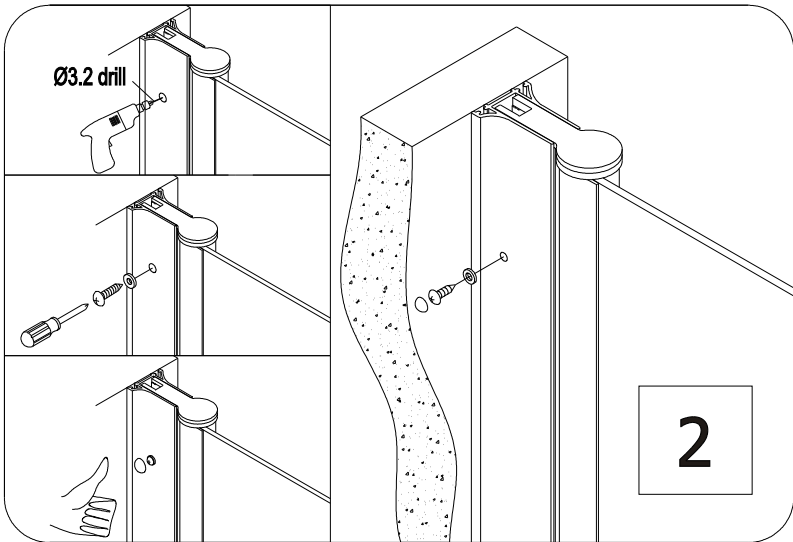
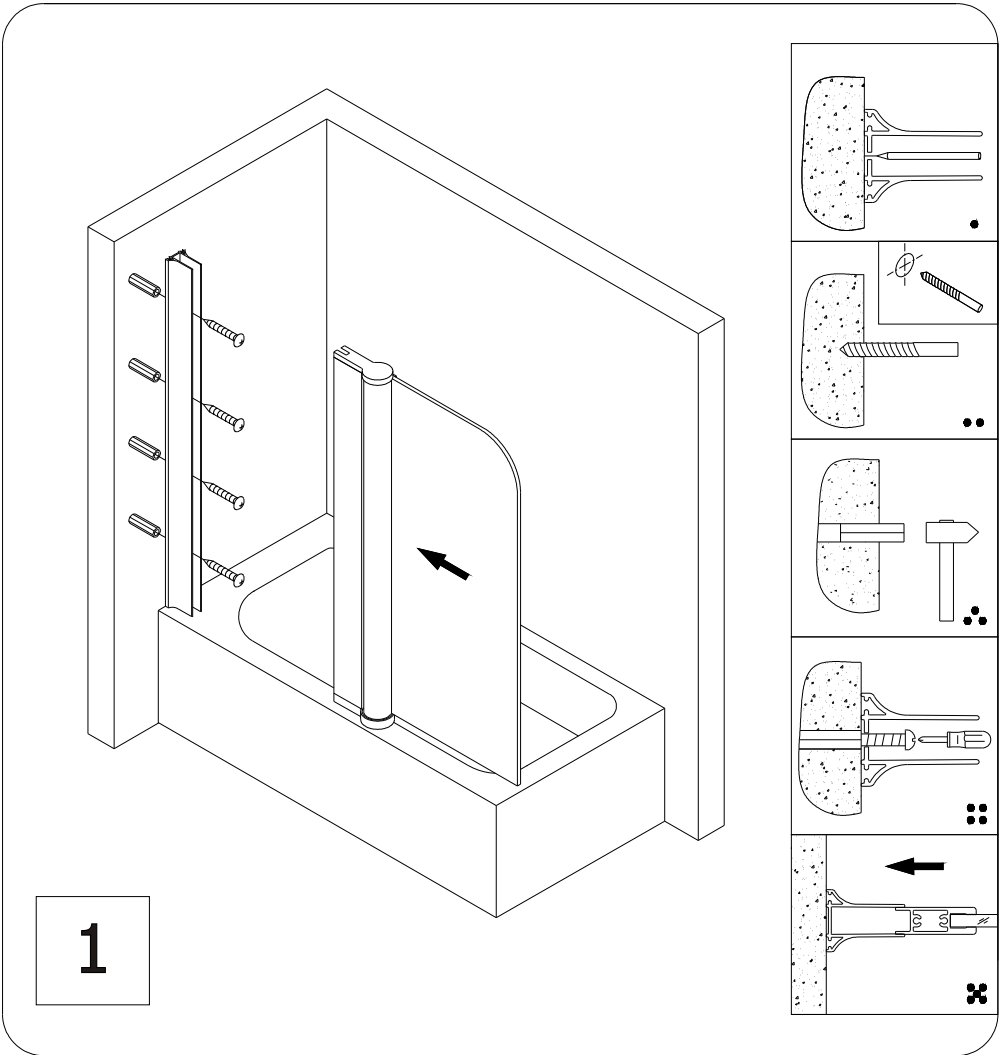


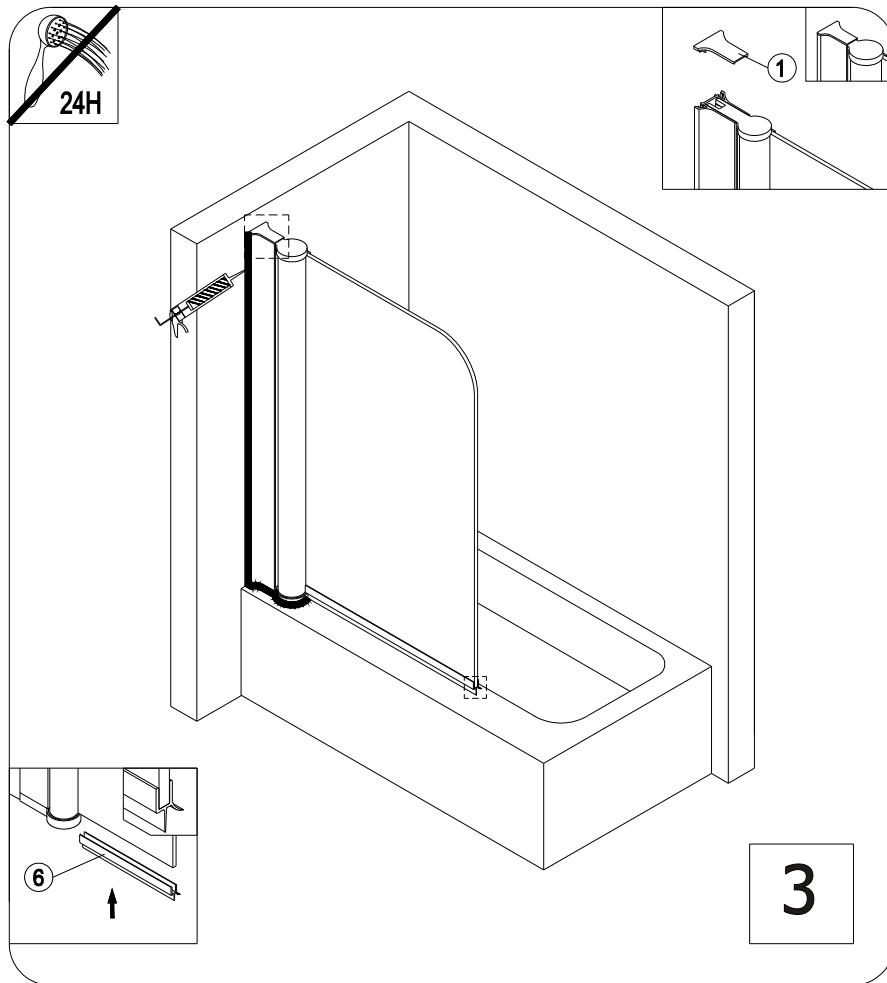
Item no.	Description	Quantity
1	Wall Profile Cap1	1
2	Wall Profile	1
3	Washer	4
4	ST4X12 Screw	4
5	ST4X12 Screw Cap	4
6	Bottom Strip	1
7	ST5x30 Screw	4
8	Wall Plug	4

### Tools Required



# BRISTAN





If you require any further assistance or information, please ring the Customer Services Helpline on: 0870 4425553.