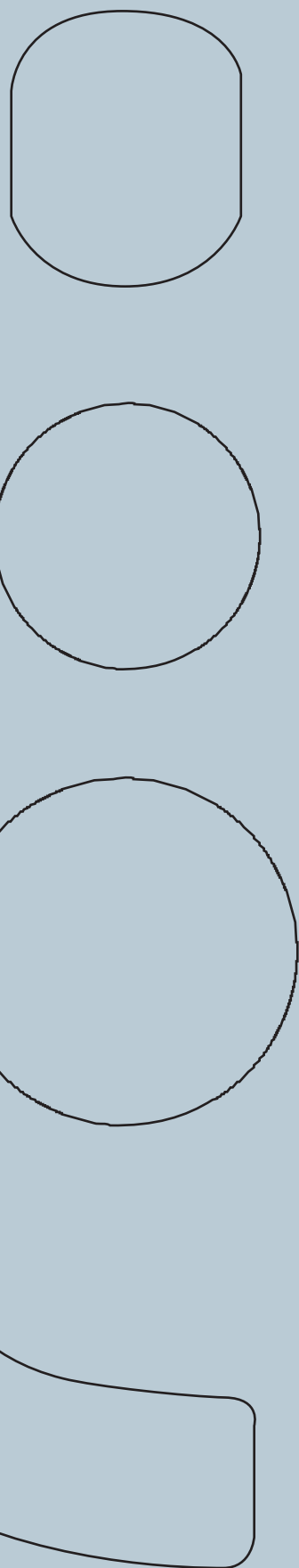


- 5 year guarantee
- Suitable for standard fixed heads

**Shower**  
Compatibility Checklist

- ✓ Thermostatic Mixer
- ✓ Bath & Wall Mixer
- ✓ Power Shower
- ✓ Combi / Unvented



shower arm

# shower arm

## COMPONENTS

1. Shower arm
2. Shroud
3. Locknut
4. Backnut

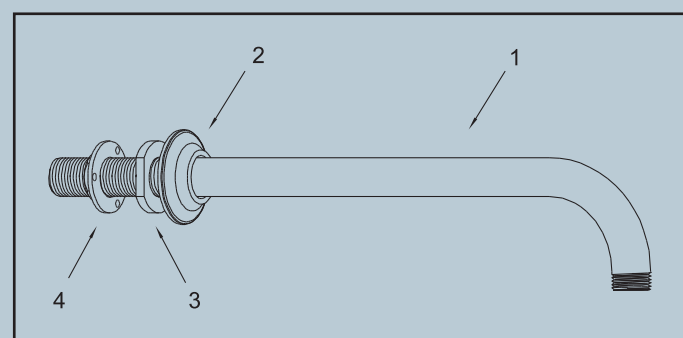
## INSTALLATION

The shower arm should be arranged in your system to accept a supply of flow controllable mixed water.

1. Identify all components, study diagram and check for completeness, particularly before arranging fitting.
2. The arm (1) is most suitable for mounting via the backnut (4) and locknut (3) either side of a panel and/or tiles. However it is possible to support the arm using rigid pipework by connecting via a female G 1/2" BSP to 15mm compression adaptor. The 15mm pipework can then be adjusted to offer the necessary depth and vertical positioning for the eventual shower fixed head.

**NOTE:** Before finishing wall turn on water supplies to check for leaking from joints/connections.

3. connect arm to supply using thread sealing compound where necessary.
4. Complete wall finish and slide shroud (2) up to wall.



This product is designed to comply with the requirements of the Water Regulations Advisory Scheme (WRAS).

Bristan Limited, Lagrange,  
Lichfield Road Industrial Estate,  
Tamworth, Staffordshire B79 7XD  
Customer Services: 01827 311345  
Email: [enquire@bristan.com](mailto:enquire@bristan.com)  
Website: [www.bristan.com](http://www.bristan.com)



5 014868 982724

ARM100C