

AFTERCARE INSTRUCTIONS

Your fitting has a high quality finish and should be treated with care to preserve the visible surfaces. All surface finishes will wear if not cleaned correctly, the only safe way to clean your fitting is to wipe with a soft damp cloth. Stains can be removed using washing up liquid. All bath cleaning powders and liquids will damage the surface of your fitting even the non-scratch cleaners.

GUARANTEE

All products are manufactured to the highest standards and a 5 year guarantee covers any defect in manufacture. As gold and special effect finishes are softer than chromium plate, special care must be taken when cleaning; a 3 year guarantee covers these finishes.

NOTE: The 5 year guarantee on the valves is invalidated if damaged by any waterborne debris.

In the interests of continuous product development we reserve the right to alter specification as necessary.

TELEPHONE HELP LINE: 0870 4425553

Bristan Group Ltd
Birch Coppice Business Park
Dordon
Tamworth
Staffordshire
B78 1SG
UK
A Masco Company

Web Site: www.bristan.com
Telephone: 0870 4425556
Facsimile: 0870 1611002
Email: enquire@bristan.com

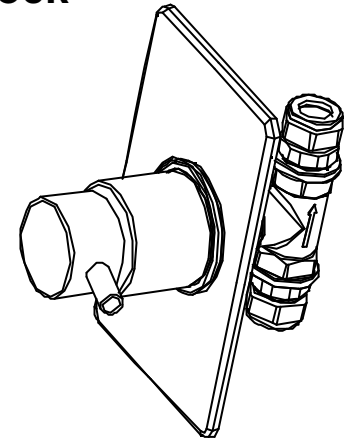
(FILM STOP)

(Rev.D5)

(MZ)

Prism Stop Cock

Fitting Instructions



Please keep these instructions for future reference and request of replacement parts.

This stopcock is intended to be used in conjunction with other products, such as the blending valves, diverters and spray outlets from the Bristan range in order to create a system to suit your requirements.

WATER PRESSURE

This stopcock is suitable for use at all supply pressures between 0.1 and 8.0 bar. Depending on requirements, installation of this stopcock should be in compliance with Water Regulations. For further details contact your Local Water Authority.

COMPONENTS

1. Cap
2. Grub screw
3. Handle
4. Valve shroud
5. Concealing plate
6. Valve
7. Fitting body
8. Compression adapters

INSTALLATION

Stopcocks should be arranged in your system to provide the necessary shut off points to suit the application.

1. Identify all components and check for completeness, particularly before arranging fitting.
2. Unscrew lever (1), loosen grub screw (2) and remove handle (3)
3. Slide off the wall cover (5) and unscrew valve shroud (4).
4. Set fitting (7) into wall and connect to suitable 15mm pipe work (not supplied) using the compression adapters (8).

NOTE: - Before finishing wall turn on water supplies to check both correct system function and for leaking from joints/connections.

5. Complete wall finish. Note! It is important that sufficient space is left around the fitting body to allow the valve shroud to fit on.
6. Screw on valve shroud and slide on wall cover
7. Replace handle, tighten grub screw and screw in lever.
8. See over the page for aftercare instructions.

MAINTENANCE

If the fitting begins to drip:

1. Turn off the water supply.
2. Unscrew lever (1) and loosen grub screw (2).
3. Remove handle (3) and unscrew valve shroud (4).
4. Unscrew valve (6) and carefully clean seating, rubber washer and ceramic disc.
5. Replace valve, shroud, and handle and turn on the water supply.
6. Contact our help line if problem persists.

