



AFTERCARE INSTRUCTIONS

Your fitting has been manufactured to a high quality finish therefore should be treated with care to preserve its visible appearance. All surface finishes will wear if not cleaned correctly, the recommended and safest way to clean your fitting is to wipe with a soft damp cloth. Stains can be removed using washing up liquid. All domestic cleaning products, including non-scratch cleaners, can damage the surface and appearance of your fitting.

GUARANTEE

All products are manufactured to the highest standards and a 5 year guarantee covers any defect in manufacture.

NOTE: The 5-year guarantee is invalidated if damaged by any waterborne debris.

In the interest of continuous product development we reserve the right to alter specifications as necessary.

PRODUCT CODE: *KIT113 C*

TELEPHONE HELPLINE! +44 (0) 870 4425553

Bristan Limited
Birch Coppice Business Park
Dordon
Tamworth
Staffordshire
B78 1SG
UK

Web site: www.bristan.com

Telephone: +44 (0) 870 4425556

Facsimile: +44 (0) 870 4425554

Email: enquire@bristan.com

(FI KIT113)

(Rev. D1)

(PH)

BRISTAN

Shower Kit



Prior to drilling into walls, check there are no hidden electrical wires, cables or water supply pipes with the aid of an electronic detector. If you use power tools do not forget:


- Wear eye protection
- Unplug equipment after use

Fitting Instructions & Contents List

Please keep these instructions for future reference and request of replacement parts.

INSTALLATION

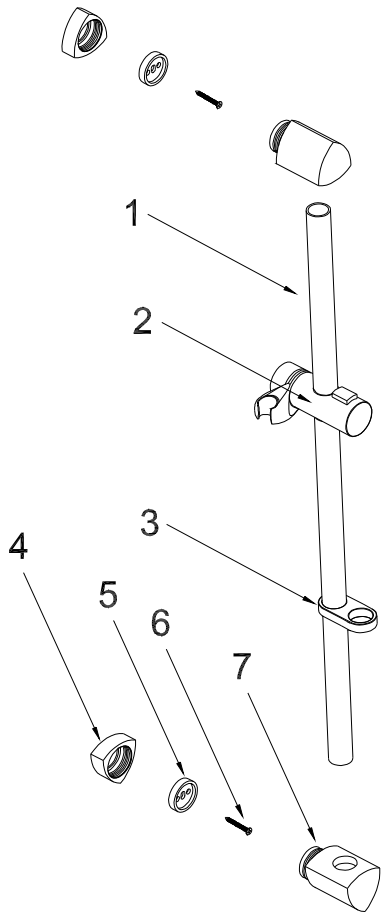
Identify all components and check for completeness, particularly before arranging fitting.

1. Determine required position and orientation for your riser rail (1).
2.  Use wall brackets (4) with rail supports (7) attached to riser rail (1) as a template to mark out fixing holes and drill holes to suit.
3. Insert fixing plates (5) into wall brackets (4) and fix wall brackets to wall using screws (6) and wall plugs (if required).
4. Slide sliders bracket (2) onto riser rail (1) and attach rail supports (7) to both ends of the riser rail.
5. To finish insert rail supports (7) into wall brackets (4) and secure by tightening wall brackets (4) onto rail supports (7). Wall brackets (4) will rotate freely about fixing plate (5).
6. Fit the hose (8) to the handset (10), insert hose through the hose retaining ring (3) and connect to outlet connection using sealing washers (9).
7. See over the page for aftercare instructions.

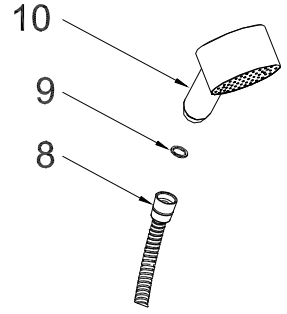


Please Note: -

In the unlikely event you find a part missing please contact our Customer Service Help line on 01827 311345 for immediate dispatch of part.



INSTALLATION DIAGRAM



CONTENTS:

- | | | |
|-----|----------------|------|
| 1. | Riser rail | (x1) |
| 2. | Slider Bracket | (x1) |
| 3. | Retaining Ring | (x1) |
| 4. | Wall Bracket | (x2) |
| 5. | Fixing Plate | (x2) |
| 6. | Screw | (x2) |
| 7. | Rail Support | (x2) |
| 8. | Hose | (x1) |
| 9. | Small Washer | (x2) |
| 10. | Handset | (x1) |