

## Guarantee & Registration

### Guarantee

All products are manufactured to the highest standards and 5-year guarantee covers any defect in manufacture.

Any part found to be defective during the above guarantee period will be replaced without charge providing that the product has been installed in accordance with our instructions, used as intended and maintained/serviced as recommended.

In the unlikely event that any problems are encountered with this product's performance on installation, you must obtain guidance/authorisation from our Customer Service Department before any remedial action is taken and be able to supply proof and date of purchase.

The guarantee excludes damage caused by accident, misuse or neglect and does not cover the following:

- Those components subject to wear and tear such as 'O' rings and washers etc,
- Damage caused by faulty installation,
- Damage caused by any waterborne debris,
- Damage caused by improper cleaning products,
- Damage caused by the use of non-Bristan parts,
- The product being used for a purpose other than intended.

The company reserves the right, in the event of a claim not covered by the guarantee, to charge the claimant for parts and labour at current rates. This guarantee is given in addition to and does not affect your statutory rights.

*In the interests of continuous product development we reserve the right to alter the specification as necessary.*

### Registration

To register your product with us please complete and return the enclosed registration card.

**PRODUCT CODE: KIT116 C**

**TELEPHONE HELP LINE! +44 (0) 870 4425553**

Bristan Ltd  
Lagrange  
Lichfield Road Industrial Estate  
Tamworth  
Staffordshire  
B79 7XD  
A Masco Company

Web- [www.bristan.com](http://www.bristan.com)  
Tel- +44 (0) 870 4425556  
Fax- +44 (0) 870 4425554  
Email- [enquire@bristan.com](mailto:enquire@bristan.com)

(FI KIT116)

(REV.D1)

(AJ)

# BRISTAN

## Rigid Riser with Rub Clean Rose, Rub Clean Handset and Body jets

## Fitting Instructions & Contents List



Before starting any installation project please consider:

Prior to drilling into walls, check there are no hidden electrical wires, cables or water supply pipes with the aid of an electronic detector. If you use power tools do not forget:

- Wear eye protection
- Unplug equipment after use

Please keep these instructions for future reference and the request of replacement parts

800354/A




## Introduction

This product has been designed to be used in conjunction with an exposed shower valve with a G1/2 (1/2 BSP) top outlet. This item is high pressure unit only and requires a minimum of 1bar (10 m head) to get a satisfactory performance from the rose and body jets.

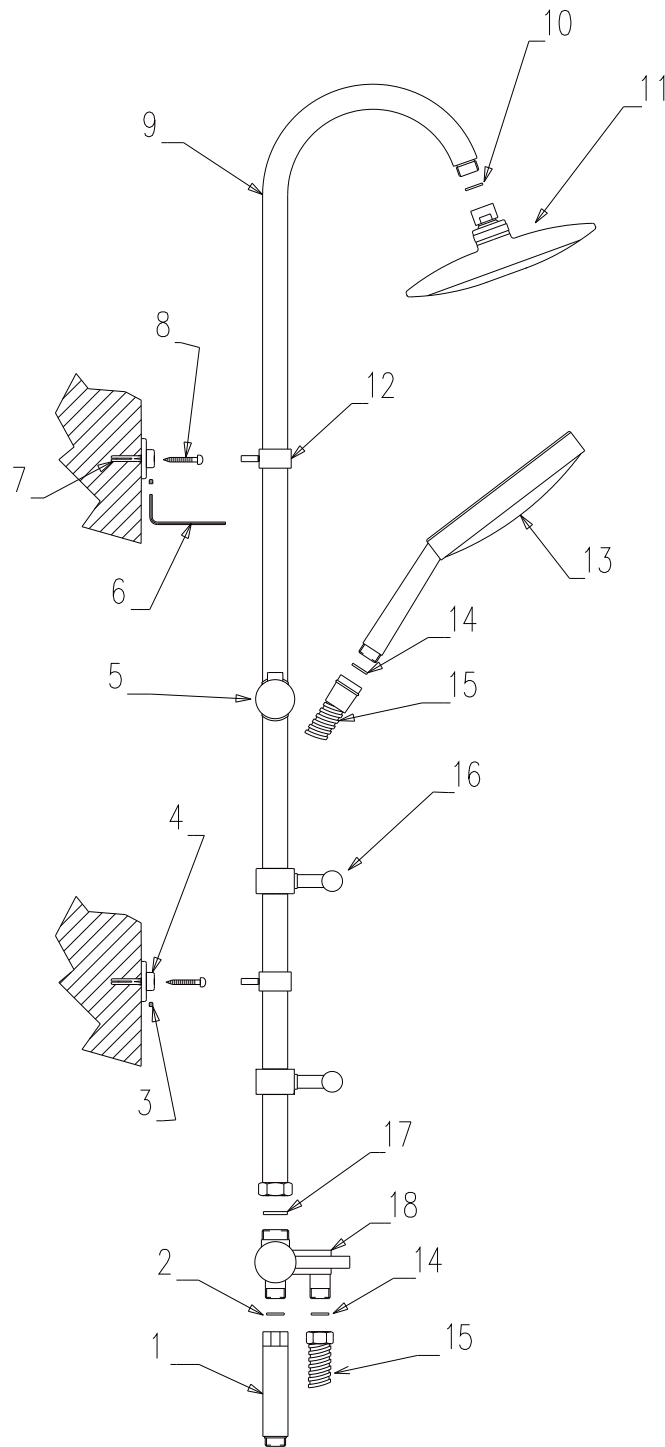
It incorporates a diverter that will switch the feed of mixed water between the overhead rose and the handset. The body jets can be operated by pulling out to switch on and push back toward the riser to switch off.

## Installation

1. Identify all parts and check for completeness prior to arranging fitting. The shower valve that you intend to use this rigid riser needs to be installed and the height of which is limited by the overall height of the riser.
2. Screw the outlet adaptor (1) to the shower outlet, there is an 8mm hexagon in the centre of the adaptor (1) to take a 8mm hexagonal key (not supplied).
3. Assemble the rigid riser with the diverter using washer (17) and riser supports (12) in position. Attach the complete riser to the adaptor (1) and use the wall brackets (4) and the riser supports (12) as templates to mark the required positions on the wall. Disassemble the riser from the adaptor (1)
4.  Drill the wall to suit wall plugs (if required) in the 4 positions. Fix the wall brackets (4) to the wall in the required position securing using the fixing screws (8).
5. Re-attach the riser assembly to the adaptor (1) ensuring the washer (17) is in position. Secure the riser supports in the wall brackets (4) using the grub screws (3) and hexagonal key (6).
6. Assemble the hose (15) to the diverter using a hose washer (14) and attach the handset to the cone end using the second hose washer (14). Attach the rose to the riser using the sealing washer (10) in position.
7. Turn on shower and check all connections for leaks.

### **Please Note: -**

In the unlikely event you find a part missing please contact our Customer Service Help line on +44 (0)870 442 5553 or email [enquire@bristan.com](mailto:enquire@bristan.com) for immediate despatch of part.



## Contents

1.	Adaptor	(x1)
2.	Washer	(x1)
3.	Grub Screws	(x2)
4.	Wall Brackets	(x2)
5.	Handset Holder	(x1)
6.	Hexagonal Key	(x1)
7.	Wall Plugs	(x4)
8.	Fixing Screws	(x4)
9.	Rigid Riser	(x1)
10.	Sealing Washer	(x1)
11.	Rose	(x1)
12.	Riser Supports	(x2)
13.	Handset	(x1)
14.	Hose Washers	(x2)
15.	Hose	(x1)
16.	Body Jets	(x2)
17.	Washer	(x1)
18.	Diverter	(x1)