

AFTERCARE INSTRUCTIONS

Your fitting has a high quality finish and should be treated with care to preserve the visible surfaces.

All surface finishes will wear if not cleaned correctly, the only safe way to clean your product is to wipe with a soft damp cloth. Stains can be removed using washing up liquid. All bath cleaning powders and liquids will damage the surface of your fitting even the non scratch cleaners.

GUARANTEE

All products are manufactured to the highest standards and a 5 year guarantee covers any defect in manufacture.

NOTE - the 5 year guarantee on the valves is invalidated if damaged by any waterborne debris.

In the interests of continuous product development we reserve the right to alter specification as necessary

PRODUCT CODE: J THBSMVO C

TELEPHONE HELP LINE! +44 (0) 870 4425553

Bristan Ltd
Lagrange
Lichfield Road Industrial Estate
Tamworth
Staffordshire
B79 7XD
A Masco Company

Web- www.bristan.com
Tel- +44 (0) 870 4425556
Fax- +44 (0) 870 4425554
Email- enquire@bristan.com

(FIJ THBSMVO)

(D1)

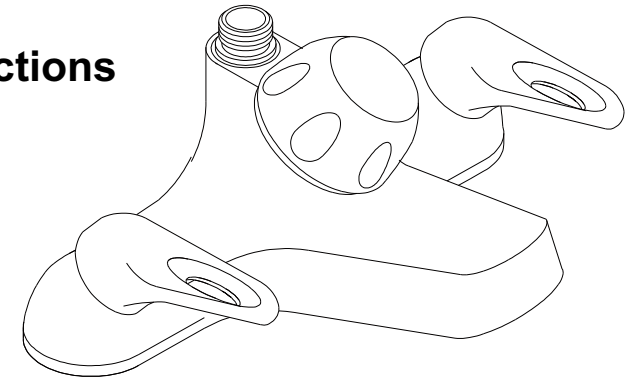
(AJ)

BRISTAN

Deck mounted bath filler with thermostatic shower control

(J THBSMVO C)

Fitting Instructions



- Fully thermostatic control for shower.
- Safe temperature delivery from the shower prevents scalding.
- Shower features auto shut off in the event of hot or cold water Failure.
- Manual mix of bath for optimum temperature.
- Suitable for installation to all domestic plumbing systems.

Please keep these instructions for future reference and the request of replacement parts

FORM 800345/A

SECTION ONE INTRODUCTION

Please read these instructions carefully, And ensure that the Bath/Shower mixer is Installed to local Water Authority Regulations. If in doubt, contact a Registered plumber or the Secretary, Institute of Plumbing, 64 Station lane, Hornchurch, Essex, Rm21 6NB. Telephone 01708-472791.

The Shower is thermostatic, it blends hot And cold water to supply a constant Water temperature to the shower head. It automatically adjusts the mix in response To incoming temperatures to ensure that The temperature remains substantially Constant.

IMPORTANT.

The plating on the mixer and accessories Is easily damaged. Immediately after installation, **COVER UP** the mixer and accessories to avoid accidental damage from subsequent work being done elsewhere in the room. Plaster, grout, sealants and dust will cause permanent stains or scratches. Wrap a clean sheet, or better still secure bubble pack around the items using adhesive tape to protect against knocks and contamination.

PARTS AND SERVICE

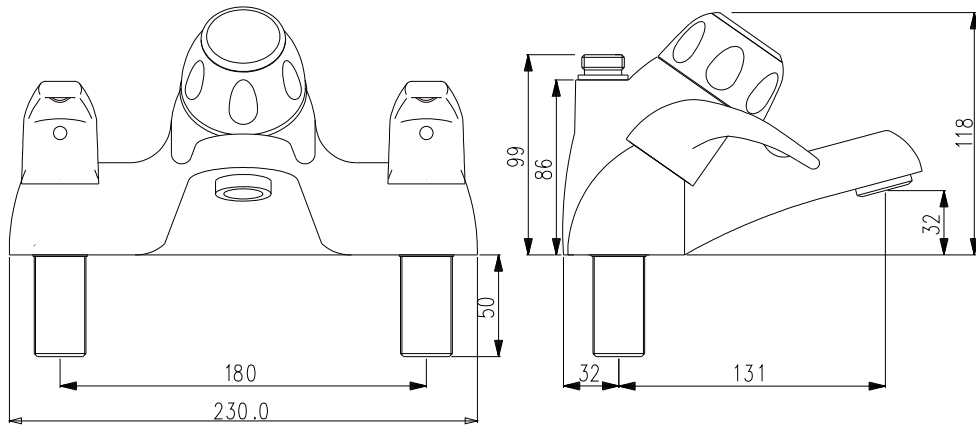
Spare parts for this bath/shower mixer are available from our customer service department on +44 (0) 870 4425553

If you require technical advice or a service call, also contact the customer service department on the number above

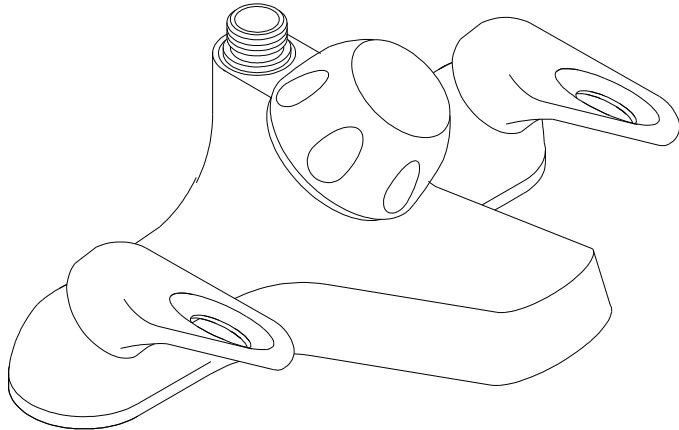
NOTES

MODEL TYPE.....	J THBSMVO C
DATE OF PURCHASE.....	
DATE OF INSTALLATION.....	
INSTALLERS NAME.....	
INSTALLERS TELEPHONE No...	

DIMENSIONS



Please note all dimensions are in mm.



SECTION TWO INSTALLATION REQUIREMENTS

To ensure the correct operation of this Bath/Shower Mixer it is important to fully understand your site installation. This Bath/Mixer will suit supplies of:

- HIGH PRESSURE
- LOW PRESSURE
- MAINS PRESSURE
- PUMPED PRESSURE
- UNEQUAL PRESSURE
- GRAVITY PRESSURE

Depending upon your hot and cold water supply system and/or pressure you may need to make alterations and/ or fit flow limiters to your mixer before installing it.

Page 6 gives details on which, if any, limiters or adjustments are to be made to your mixer. Failure to follow these guidelines may result in poor performance.

The Mixer is supplied with the hot inlet on the left and cold on the right as viewed from the front. The hot supply must be connected to the inlet port marked "H" and cold supply must be connected to inlet port marked "C" for the unit to function correctly.

This installation should meet the requirements of the water regulations. If in doubt contact your local water authority for advice or a registered member of the Institute of Plumbers. Telephone 01708-472791 for a list of your nearest qualified plumbers.

It is advisable to install Isolating Valves on both hot and cold water supplies in an easy accessible position for flushing out and servicing purposes.

Also we recommend fitting filters to ensure no debris enters the Mixing Valve. (filters are supplied which fit into inlet tails), if they are not easily accessible, remove them and fit In-Line filters located in an easily accessible position. **(We recommend fitting a filter with a mesh aperture size of 0.4mm maximum).**

Isolating Valves which incorporate filters are ideal for this purpose.

In-line filters and isolating valves are available from all good plumbers Merchants.

FLOW LIMITER REQUIREMENTS

Please note flow limiters are factory fitted as standard.

If is important to note that flow limiters may need to be removed/fitted, in the hot and cold Inlet Tails, depending on the type of supply used. See table below:

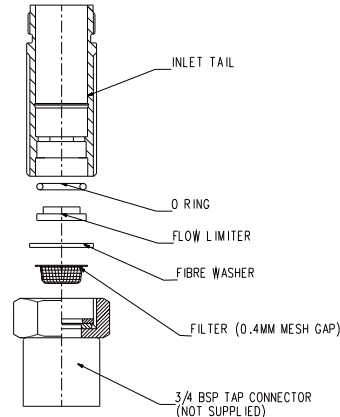
COLD SUPPLY	HOT SUPPLY	FIT TO INLET ADAPTOR		COMMENTS
		COLD	HOT	
0.1 TO 1.0 BAR (1 TO10 Mtr HEAD)	GRAVITY 0.1 TO 1.0 BAR (1 TO10 Mtr HEAD)	NOTHING	NOTHING	
MAINS OR HIGH PRESSURE PUMPED SYSTEM	GRAVITY 0.1 TO 1.0 BAR (1 TO10 Mtr HEAD)	12 LITRE/MIN. (RED)	NOTHING	If water economy is not of importance the system can be run without Flow Limiters.
	UNVENTED OR PUMPED HIGH PRESSURE	12 LITRE/MIN. (RED)	12 LITRE/MIN. (RED)	If water economy is not of importance the system can be run without Flow Limiters.
	COMBI BOILER	12 LITRE/MIN. (RED)	12 LITRE/MIN. (RED)	

To remove the flow limiters prise them and the O ring from the inlets.

To fit the flow limiters first push the O ring over the small diameter of the flow limiter. Now press this assembly into the second counterbore ensuring you put it in straight .The O Ring will keep it retained.

The Filter is fitted between the face of the inlet tail and the 3/4" tap connector.

(If you fit these in Inlet tail make sure you have access to service them at a later date).



IMPORTANT. It is a requirement of instantaneous electric water heaters that a stable flow of water passes through the heater. This requirement can be satisfied by using a flow stabiliser in the supply to the heater. It should be adjusted to give a flow temperature of 45- 50 degrees CELSIUS from the heater.

IMPORTANT. Do not use this Bath Mixer valve with a hot supply from any vented (open outlet) heater,gas or electric, eg normal electric shower. This mixer is suitable for use with all other domestic plumbing systems including combi-boilers.

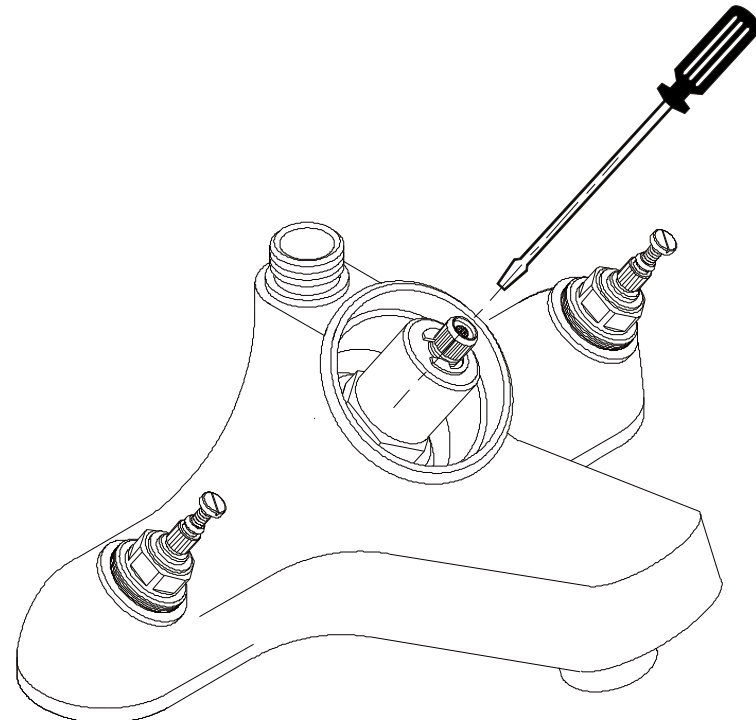
TEMPERATURE SETTING.

The maximum mixed water temperature should be limited to ensure no undesirable temperature is obtained. If necessary adjust as follows:-

- 1) Turn the Knob/Lever anti-clockwise to the maximum flow/temperature position.
- 2) Remove the Knob/Lever assembly by unscrewing central headwork cover and remove the assembly as one to expose the top of the cartridge.
- 3) Remove the screw on the end of the cartridge taking care not to misplace the sealing washer located under the head of the screw.(Water seepage through the screw is a normal occurrence).
- 4) Using a fine flat bladed screwdriver down the middle of the spindle, turn the adjusting screw which is located some way down the spindle to adjust the temperature.

Turn the adjusting screw clockwise for cooler temperature. ↻

Turn the adjusting screw anti-clockwise for warmer temperatures. ↻



SECTION FOUR SERVICING/MAINTENANCE

If your thermostatic shower fails to operate correctly it could be the result of incorrect installation. Please refer to installation and site requirements.

If the shower has operated correctly for some time, but no longer performs acceptably, it could require servicing and the following procedure should apply:-

1) Isolate hot and cold water supplies.

2) Remove shower knob assembly to expose the cartridge. (In most cases this can be done by unscrewing head works cover and whole assembly can be removed as one).

3) Remove the cartridge assembly from Body taking great care not to damage any part of the assembly.

4) Remove all visible O rings from the main chamber of the Body.

CLEANING AND LUBRICATION.

1) Soak all metal parts in descalent, wash off in clean water.

2) Examine all seals and replace if necessary.

3) Use silicon based grease on all seals (light smear only). A maintenance kit is available which contains all seals and grease from your local stockist.

RE-ASSEMBLY.

1) Insert the two O rings into Mixer Body.

2) Replace the spring in the bottom of the body followed by piston and thermostat.

3) Screw the cartridge back into body and fully tighten.

4) Finally re-fit the shower knob assembly (if Knob is not in the correct position undo and re-position on spline until correct alignment is achieved).

GENERAL FAULT DIAGNOSIS.

If your bath/shower mixer fails to operate either immediately upon installation or after a period of time, the following points should be checked:-

1) Ensure both hot and cold supplies are reaching the unit by turning on the bath fill taps and checking the flow. (There must be hot water reaching the unit that is a minimum of 10°C above the outlet temperature). Note the unit is factory set to 43°C.

The cold water supply must be between 5°C and 20°C.

2) Ensure there is no debris between the faces of the piston and its mating faces and the bottom of the mixer body and the cartridge. (See section seven).

3) Check that the Mixer has been installed correctly in accordance to the particular feed system (i.e. Use of flow limiters where necessary).

SECTION THREE TECHNICAL DATA

INLETS:	3/4" BSP INLET TAILS
SHOWER OUTLETS:	1/2" BSP Male iron/15mm compression adapter
WEIGHT:	4.3kg
MINIMUM PRESSURE DROP THROUGH FITTING FOR CORRECT MIXING:	0.1 bar (1 metre head) to bath outlet 0.1 bar (1 metre head) to shower outlet
MAXIMUM PRESSURE DROP THROUGH FITTING FOR CORRECT MIXING:	5.0 bar (50 metre head)
MAXIMUM STATIC PRESSURE TO BE APPLIED TO FITTING:	10.0 bar (100 metre head)
TEMPERATURE STABILITY WITH NOMINAL VARIATION OF SUPPLY TEMPERATURE AND PRESSURES FOR SHOWER:	"± 2" Degrees Celcius
FACTORY SET MAXIMUM BLEND TEMPERATURE FOR SHOWER:	43 Degrees Celcius (can be re-set on site between 30 and 50 degrees Celcius)
MAXIMUM HOT SUPPLY TEMPERATURE:	80 Degrees Celcius
MAXIMUM PRESSURE LOSS RATIO:	10:1 without flow limiters
	50:1 with flow limiters

PERFORMANCE :

BATH FILL :

3/4"x1/4" TURN CERAMIC CARTRIDGE

PRESSURE (BAR)	0.1	0.25	0.5	0.75	1	2
FLOW RATE SINGLE	9	17	25	30	35	50
FLOW RATE BOTH	16	28	43	52	60	88

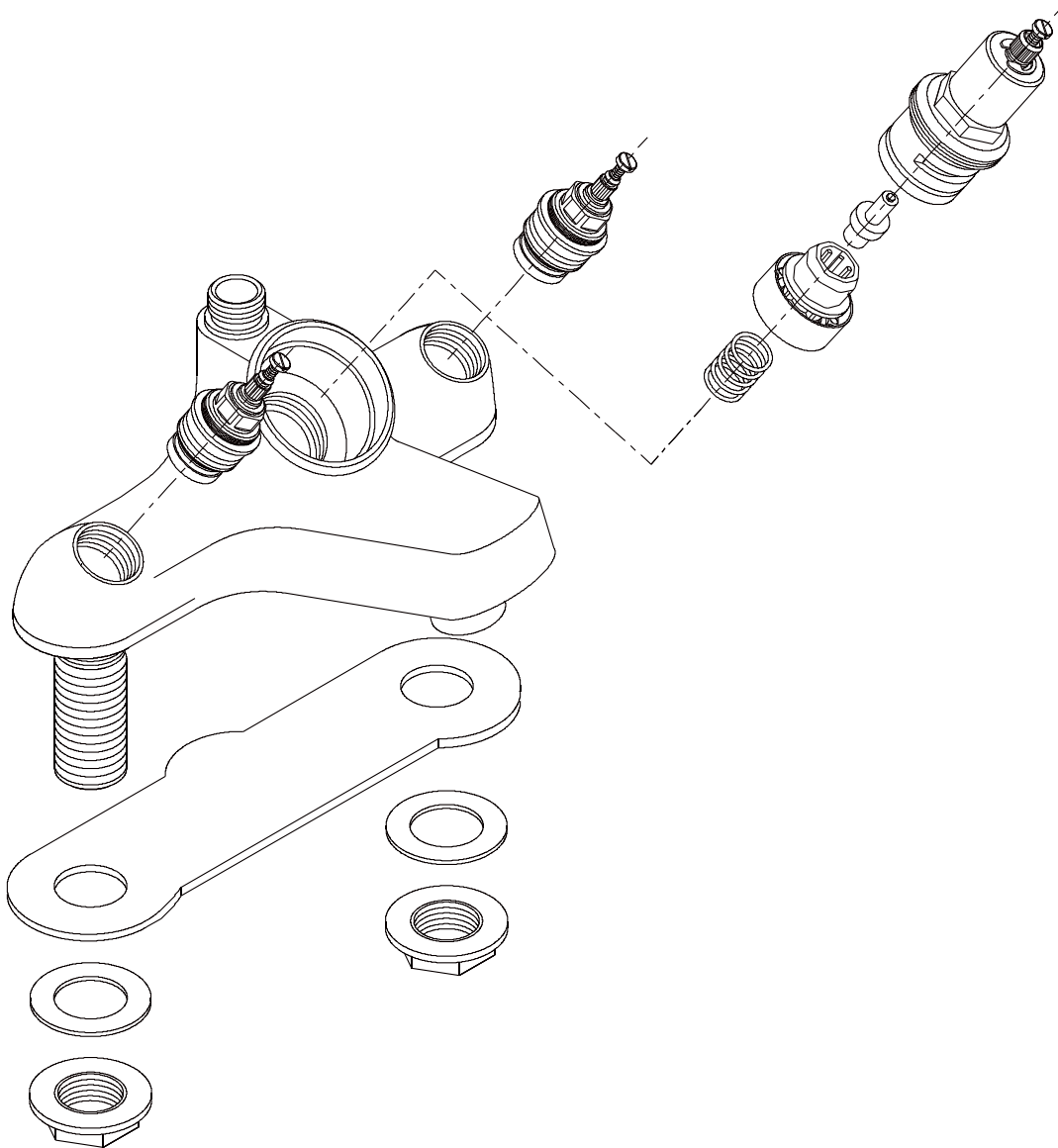
SHOWER : (Open Outlet only, does not allow for loss through pipes or fittings)

PRESSURE (BAR)	0.1	0.25	0.5	0.75	1	2
FLOW RATE	8.5	13	18	20	29	32

NOTE: (flow rates in litres/min. On equal pressure drops)

BATH SHOWER MIXER (NON THERMOSTATIC BATH FILL)

NOTE: BATH/SHOWER MIXER
SHOWN WITHOUT HEADWORK
COVERS & CONTROL HANDLES.



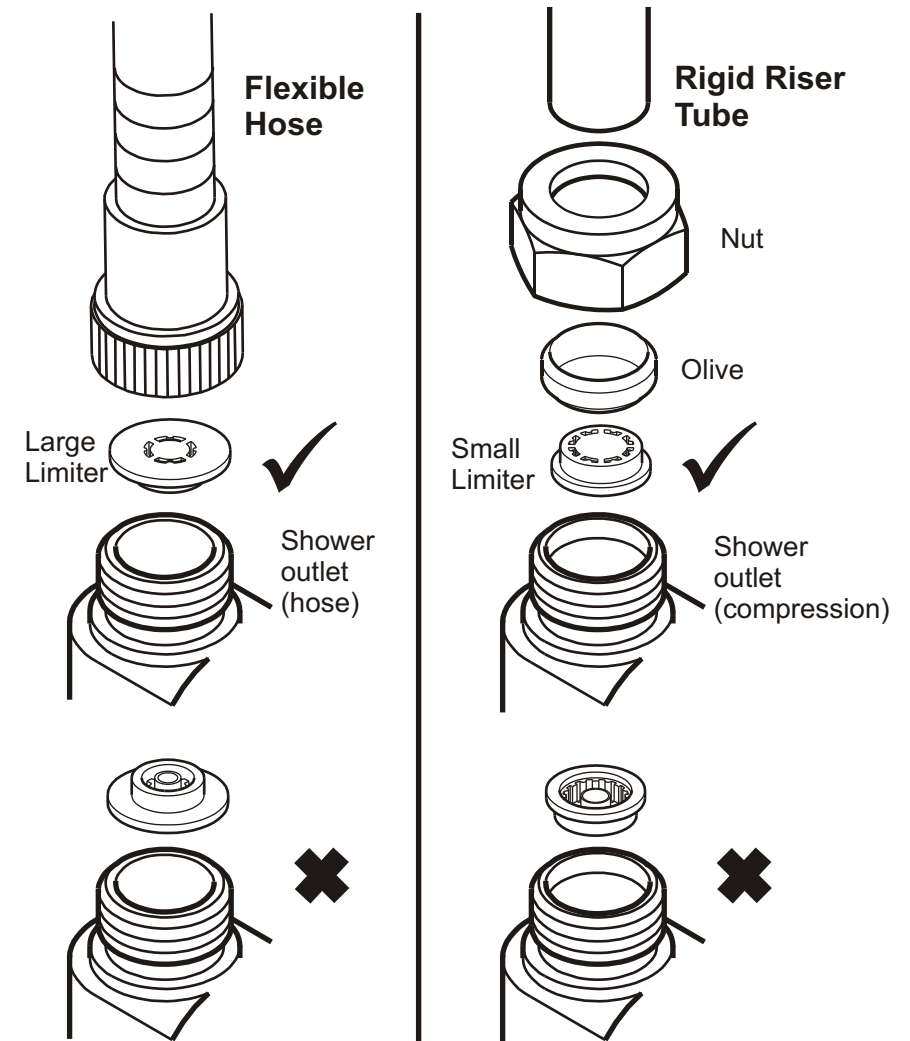
IMPORTANT

Installations using combination gas boiler systems

When installing this product on above system, ensure the correct sized flow limiter (supplied), corresponds to the type of shower fitting attached. Ensure flow limiter is installed the correct way round, see below.

Note: Boiler must have a minimum temperature rise of 30°C at a flow of 11 litres per minute for satisfactory operation.

To ensure the correct operation of this Bath/Shower Mixer it is important to fully understand your site installation.



5

6