



For latest prices and delivery to your door visit MyTub Ltd 0845 303 8383 www.mytub.co.uk

AFTERCARE INSTRUCTIONS

Your fitting has a high quality finish and should be treated with care to preserve the visible surfaces.

All surface finishes will wear if not cleaned correctly, the only safe way to clean your mixer is to wipe with a soft damp cloth. Stains can be removed using washing up liquid. All bath cleaning powders and liquids will damage the surface of your fitting even the non-scratch cleaners.

GUARANTEE

All products are manufactured to the highest standards and a 5 year guarantee covers any defect in manufacture.

NOTE: - the 5 year guarantee on the valves is invalidated if damaged by any waterborne debris.

In the interests of continuous product development we reserve the right to alter specification as necessary

PRODUCT CODE: ON 1HBF C / ON 1HBF C CD

TELEPHONE HELP LINE! 0870 4425553

Bristan Limited
Lagrange
Lichfield Road Industrial Estate
Tamworth
Staffordshire
B79 7XD
UK

Web Site: www.bristan.com
Telephone: 0870 4425556
Facsimile: 0870 4425554
Email: enquire@bristan.com
(FI ON 1HBF) (Rev. D1)

(G)



New Options One Hole Bath Filler

Fitting Instructions & Contents List

Please keep these instructions for future reference and for the ordering of spare parts.

WATER PRESSURE

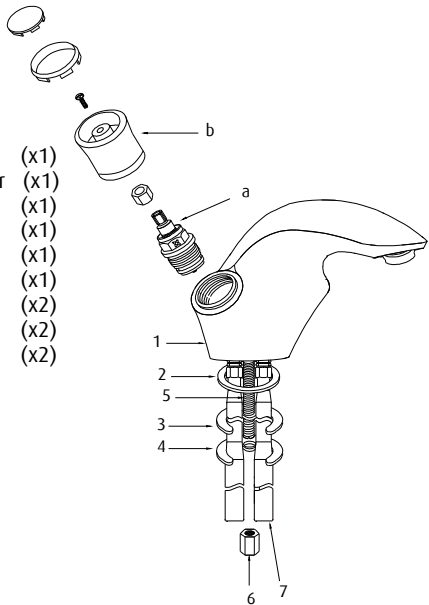
This mixer is suitable for use at pressures of 0.5 bar or more. If the fitting is tank fed, then the minimum height from the outlet of the nozzle to the underside of the cold tank should be 5 metres to ensure adequate performance.

For optimum use both the hot and cold supplies should be reasonably balanced.

This mixer should be installed in compliance with Water Regulations. For further details contact your Local Water Authority.

CONTENTS

- 1. Mixer Body (x1)
- 2. Full Rubber Washer (x1)
- 3. Rubber 'C' Washer (x1)
- 4. Metal 'C' Washer (x1)
- 5. Threaded Rod (x1)
- 6. Fixing Nut (x1)
- 7. Copper Tail Pipes (x2)
- a. Valve (x2)
- b. Handle (x2)



INSTALLATION

1. Identify all components and check for completeness, particularly before arranging fitting.
2. Install the mixer body (1) to the bath using the 'C' plate fixing kit. The full rubber washer (2) goes between the fitting and the bath, and the 'C' shaped rubber (3) and metal washers (4) on the underside of the bath, to be secured by the nut (6) and threaded rod (5).
3. Fit the tailpipes (7) to the fitting and connect the hot and cold supplies.
4. Turn on the water supplies. Turn on both hot and cold taps for a few minutes letting the water flow, to check all joints and connections for leaks.
5. See over the page for aftercare instructions.

MAINTENANCE

If the fitting begins to drip:

1. Turn off the water supply.
2. Disassemble/remove handle (b), unscrew retaining screw and lift off the handle. Handle assembly varies.
3. Using a suitable spanner, remove valve (a). Once removed, carefully clean seating, rubber washer and/or ceramic disc.
4. Replace all of the above then turn on the water supply.
5. If problem persists contact our helpline quoting the product code.

Please Note: - Handles must be bought separately.

In the unlikely event you find a part missing please contact our Customer Service Help line on 0870 4425553 or email enquire@bristan.com for immediate despatch of part.