

## **AFTERCARE INSTRUCTIONS**

Your fitting has a high quality finish and should be treated with care to preserve the visible surfaces. All surface finishes will wear if not cleaned correctly, the only safe way to clean your mixer is to wipe with a soft damp cloth. Stains can be removed using washing up liquid. All bath cleaning powders and liquids will damage the surface of your fitting - even non-scratch cleaners.

## **GUARANTEE**

All products are manufactured to the highest standards and a 5 year guarantee covers any defect in manufacture.

**NOTE:** The 5 year guarantee on the valves is invalidated if damaged by any waterborne debris.

*In the interests of continuous product development we reserve the right to alter specification as necessary*

**PRODUCT CODE: JU ½ C / JU ¾ C**

**TELEPHONE HELP LINE: 0844 701 6273**

Bristan Group Ltd  
Birch Coppice Business Park  
Dordon  
Tamworth  
Staffordshire  
B78 1SG  
UK

Web Site: [www.bristan.com](http://www.bristan.com)  
Telephone: 0844 701 6273  
Facsimile: 0844 701 6275  
Email: [enquire@bristan.com](mailto:enquire@bristan.com)

## Jute Basin or Bath Taps

## Fitting Instructions & Contents List

Please keep these instructions for future reference and for the ordering of spare parts.

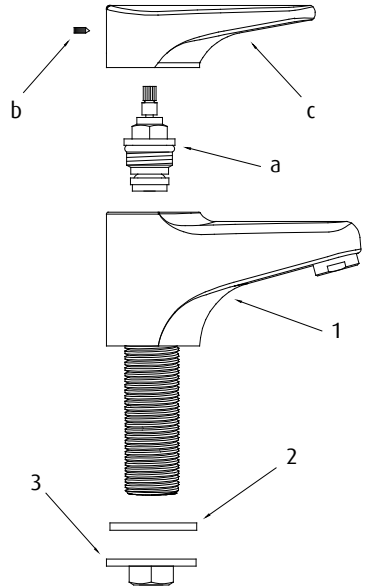
**WATER PRESSURE**

These taps are suitable for use at all supply pressures. If installed at low pressure (tank fed), then the minimum distance from the outlet of the nozzle to the underside of the cold tank should be approximately 2 metres to ensure adequate performance.

The taps should be installed in compliance with Water Regulations. For further details contact your Local Water Authority.

**CONTENTS**

- 1. Tap Body (x2)
- 2. Backnut Washer (x2)
- 3. Backnut (x2)
- a. Valve (x2)
- b. Grub Screw (x2)
- c. Handle (x2)



**INSTALLATION**

1. Identify all components and check for completeness, particularly before arranging fitting.
2. Install the taps (1) into the basin/bath. The backnut (3) and backnut washer (2) are used to secure the tap to the surfaces of basin/bath.
3. Connect the hot and cold water supplies.
4. Turn on the water supplies. Open both taps letting the water flow for a few minutes to check all joints and connections for leaks.
5. See over the page for aftercare instructions.

**MAINTENANCE**

**If the fitting begins to drip:**

1. Turn off the water supply.
2. Remove grub screw (b) and then remove handle (c) by pulling from valve (a).
3. Using a suitable spanner, remove valve. Once removed, carefully clean seating, rubber washer and ceramic disc.
4. Replace all of the above then turn on the water supply.
5. If problem persists contact our helpline quoting the product code.

**Please Note:**

In the unlikely event you find a part missing please contact our Customer Service Helpline on 0844 701 6273 or email [enquire@bristan.com](mailto:enquire@bristan.com) for immediate despatch of part.