

AFTERCARE INSTRUCTIONS

Your fitting has a high quality finish and should be treated with care to preserve the visible surfaces.

All surface finishes will wear if not cleaned correctly, the only safe way to clean your pop-up waste is to wipe with a soft damp cloth. Stains can be removed using washing up liquid. All bath cleaning powders and liquids will damage the surface of your fitting, even the non-scratch cleaners. **NOTE: Never use abrasive detergents or disinfectants or those containing alcohol, hydrochloric acid or phosphoric acid.**

Bristan recommend E-Cloth for cleaning all of our bathroom & kitchen products. Using just water, E-cloth gives a smear free, deep clean by breaking up and holding dirt, which normal cloths leave behind. Order through your Bristan stockist. (ORDER CODE: ECLOTH)



PRODUCT IDENTIFICATION CODE LASER ETCHED ON PRODUCT

Installer please fill in code here _____.

TELEPHONE HELPLINE: 0844 701 6273

Bristan Group Limited
Birch Coppice Business Park
Dordon
Tamworth
Staffordshire
B78 1SG
UK
A Masco Company
Website: www.bristan.com
Telephone: 0844 701 6274
Facsimile: 0844 701 6275
Email: enquire@bristan.com

BRISTAN

Bath Pop-Up Wastes

(W BTH PU1 C/G)

(W BTH PU2 C/G)

(W BTH PU3 C)

Fitting Instructions & Contents List

Before starting any installation project please consider:

Prior to drilling into walls, check there are no hidden electrical wires, cables or water supply pipes with the aid of an electronic detector. If you use power tools do not forget:



- Wear eye protection
- Unplug equipment after use

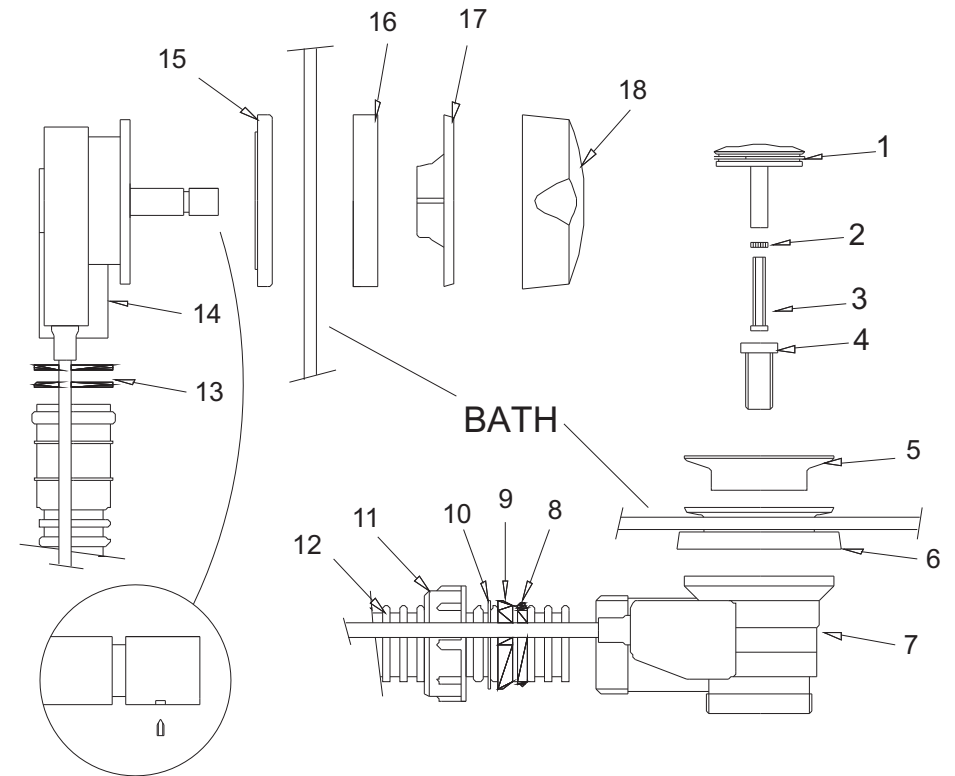
Please keep these instructions for future reference and request of replacement part

INSTALLATION

1. Identify all components and check for completeness.
2. Fit the waste body (7) and flange (5) to the bath securing using screw (4); ensuring sealing washer (6) is placed through the bath before this is done as shown in the diagram. Use a pure silicon sealant where necessary.
3. Fit the overflow elbow (14) to the bath ensuring overflow washer (15) and seal (16) are in place, secure with overflow flange (17). Use a pure silicon sealant where necessary.
4. Connect flexible tube (12) to the overflow elbow (14) ensuring o-rings (13) are fitted.
5. Connect the flexible tube (12) to the overflow connection and mark off the length required against the waste body. Trim the flexible tube as required.
6. Connect flexible tube (12) to the waste body (7) using the plastic nut (11) and washers (8, 9, and 10) fitted in the correct order as shown.
7. Push the handle (18) onto the control spindle, ensuring the grub screw lines up with the mark on the control spindle (**see illustration across the page**). This will ensure sufficient gap between the handle and flange.
8. Check all joints and connections for leaks.
9. See back page for aftercare instructions.

COMPONENTS

- | | |
|-------------------------------|---------------------|
| 1. Plug | 10. Nylon washer |
| 2. Adjusting nut | 11. Plastic nut |
| 3. Adjusting screw | 12. Flexible tube |
| 4. Flange screw | 13. O-rings |
| 5. Washer flange | 14. Overflow elbow |
| 6. Flange/body sealing washer | 15. Overflow washer |
| 7. Waste body | 16. Seal |
| 8. O-ring | 17. Overflow flange |
| 9. Conical washer | 18. Handle |



PLEASE NOTE: DO NOT PUSH THE HANDLE (18) ONTO THE SPINDLE (RINGED) OF THE OVERFLOW ELBOW (14), AS THIS WILL STOP WATER COMING OUT OF THE OVERFLOW. THERE IS A GRUB SCREW IN THE HANDLE THAT WILL LOCATE IN A HOLE ON THE SPINDLE.