

## AFTERCARE INSTRUCTIONS

Your fitting has a high quality finish and should be treated with care to preserve the visible surfaces. All surface finishes will wear if not cleaned correctly, the only safe way to clean your tap is to wipe with a soft damp cloth. Stains can be removed using washing up liquid. All bath cleaning powders and liquids will damage the surface of your fitting even the non-scratch cleaners.

## GUARANTEE

All products are manufactured to the highest standards and a 5 year guarantee covers any defect in manufacture. As gold and special effect finishes are softer than chromium plate, special care must be taken when cleaning; a 3 year guarantee covers these finishes.

**NOTE:** The 5 year guarantee on the valves is invalidated if damaged by any water born debris.

*In the interests of continuous product development we reserve the right to alter specification as necessary.*

## PRODUCT NAME:

**TELEPHONE HELPLINE: 0844 701 6273**

Bristan Group Ltd  
Birch Coppice Business Park  
Dordon  
Tamworth  
Staffordshire  
B78 1SG  
UK  
A Masco Company

Web Site: [www.bristan.com](http://www.bristan.com)  
Telephone: 0844 701 6273  
Facsimile: 0844 701 6275  
Email: [enquire@bristan.com](mailto:enquire@bristan.com)  
(FI J TAP) (Rev. D3)

(H)

# BRISTAN

## Java Basin and Bath Taps

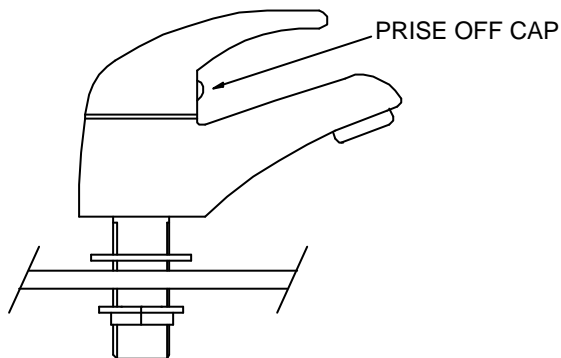
## Fitting Instructions

**Please keep these instructions for future reference**

## WATER PRESSURE

These taps are suitable for use at all supply pressures. If the taps are installed at low pressure (tank fed), then the minimum height from the outlet of the nozzle to the underside of the cold tank should be 1.8 metres to ensure adequate performance.

These taps should be installed in compliance with Water Regulations. For further details contact your Local Water Authority.



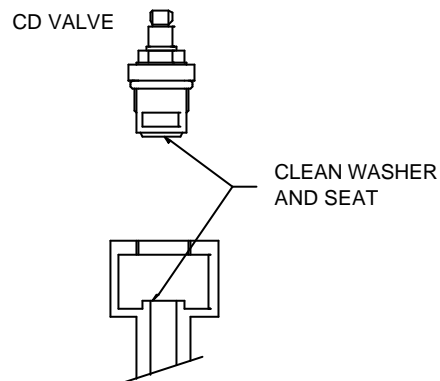
## INSTALLATION

1. Identify all components and check for completeness, particularly before arranging fitting.
2. Install the taps into the basin, bath or sink, using the washers and backnuts provided.
3. Connect the hot and cold water supplies.
4. Turn on the water supplies. Open both taps letting the water flow for a few minutes to flush the system.
5. Check all joints and connections for leaks.
6. See over the page for aftercare instructions.

## MAINTENANCE

### If the fitting begins to drip:

1. Turn off the water supply.
2. Prise off cap, loosen grub screw with 2.5mm hexagon key and pull off head.
3. Remove valve.
4. Carefully clean seating, rubber washer and ceramic disc.
5. Replace valve and head and turn on the water supply.
6. Contact our helpline if problem persists.



**Please note:** In the unlikely event you find a part missing please contact our Customer Service Helpline on 0844 701 6273 or email [enquire@bristan.com](mailto:enquire@bristan.com) for immediate dispatch of part.