



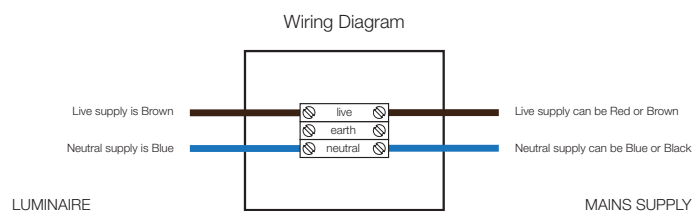
## Quality Bathroom Products

Figure 1



All installations must comply with guidelines which are based on a zonal concept. The diagram to the left illustrates this concept and must be followed to ensure the safe installation of bathroom lighting. These regulations apply to domestic installations only. Installations must be made in accordance with the current IEE wiring regulations and relevant building regulations. HiB recommends that all electrical bathroom products should only be fitted by a suitably qualified, Part P registered electrician. This product is suitable for installation in Outside Zones.

Figure 2



### Care Instructions

To preserve the high quality finish of your HiB product, please ensure you regard the following care and cleaning recommendations:

- wipe off all water spillages as soon as possible
- mirrors and glass can be cleaned with a proprietary cleaner using a soft cloth, taking care not to get excessive cleaner behind the mirror
- all other surfaces should be cleaned with diluted detergent, i.e. washing up liquid, and a soft cloth
- scourers and scouring agents should not be used, as these may cause damage to the surface of the product

### LED Back-Lit Cabinets - Fixing Instructions

Thank you for purchasing this HiB product. Please read through these instructions carefully and refer back to them during installation to ensure that your product is fitted safely and that it retains its high quality finish.

**Please retain this leaflet for future reference.**

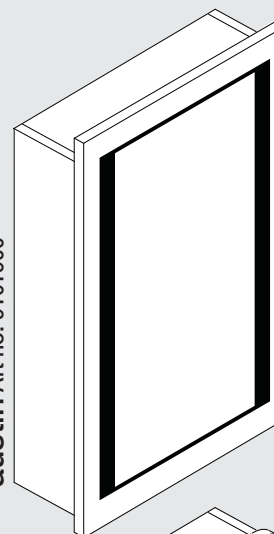
### Electrical Safety Information

HiB recommends that all electrical bathroom products should only be fitted by a suitably qualified, Part P registered electrician in accordance with current IEE regulations.

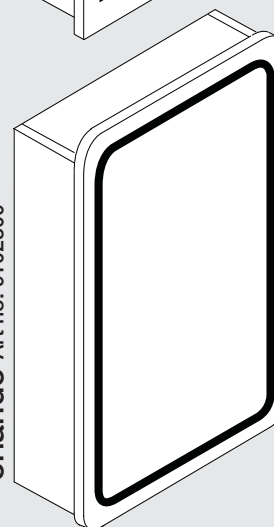
Ensure mains power supply is switched off before starting installation.

Before drilling, ensure there are no hidden cables or pipes in the wall.

austin Art no. 9101900

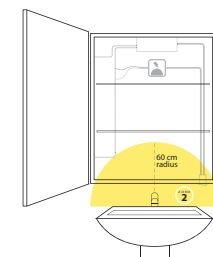


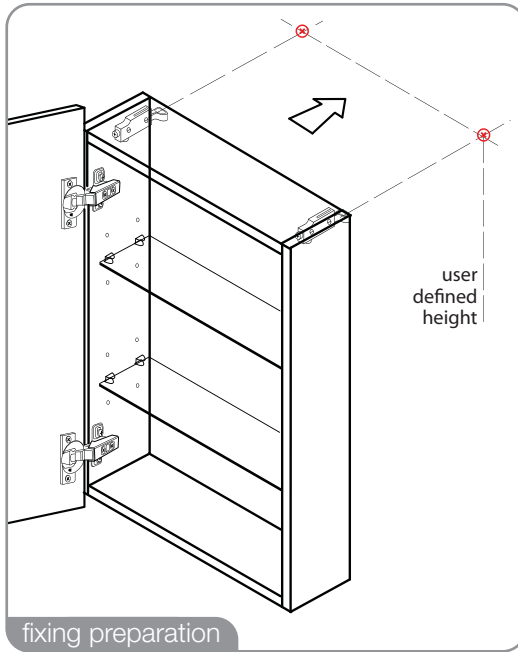
orlando Art no. 9102300



#### Attention:

When installing this cabinet, please ensure that the connection to the mains electrics are outside of a 60cm radius of any water source.



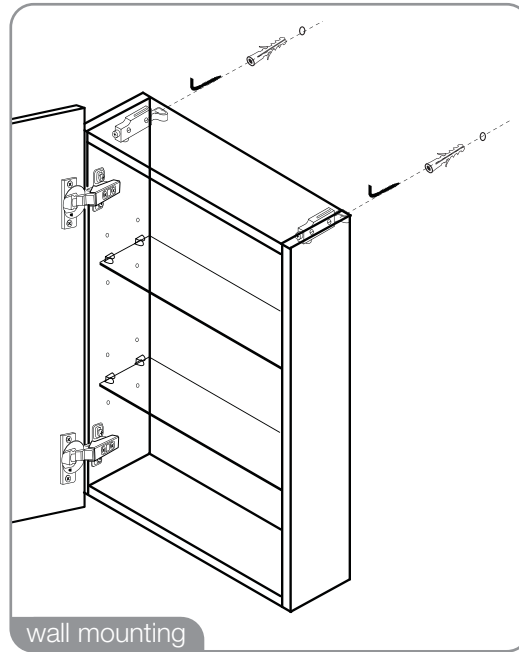


fixing preparation

**1)** Position the cabinet in a suitable location, (according to Figure 1 on the back page), ensuring that the domestic electrical mains supply is within reach of the electrical connection point of the cabinet. Carefully mark the position of the top of the cabinet using a soft pencil.

**2)** Remove the cabinet from the wall and using a spirit level, mark the position of the two mounting points (as shown above).

**3)** Before drilling, ensure there are no hidden cables or pipes behind the mounting points. Drill the required holes in the marked positions. If drilling through tile, use a

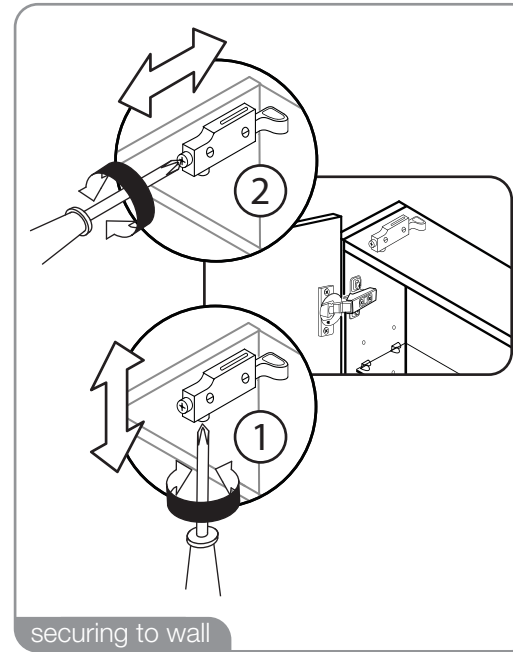


wall mounting

ceramic drill bit. Insert the wall plugs level with the surface of the wall. If fitting to a tiled surface, wall plugs should be inserted below the tile surface to avoid cracking. NB. For plasterboard walls, specialist fixings should be purchased, available from any DIY or hardware store.

**4)** Insert the hook screws into the wall plugs.

**5)** This cabinet is provided with an electrical supply cable already fitted. This cable should be connected to the household electrical circuit, and connections should be made in accordance with the latest IEE regulations. This is a Class II product and

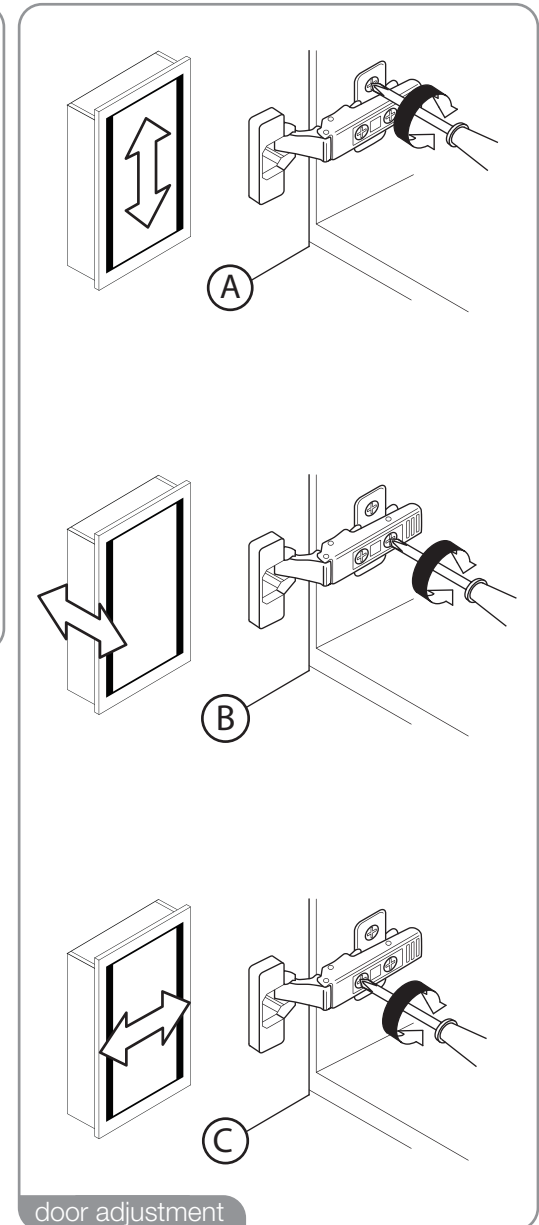


securing to wall

need not be connected to Earth. **Ensure the domestic electrical mains supply to which the product is being connected is turned off.** Connect the domestic mains supply according to Figure 2 on the back page.

**6)** Hang the cabinet on the wall ensuring that it is firmly located on both hook screws. Adjust the bottom screw (1) to level the cabinet. Fix the cabinet to the wall firmly by tightening the front screw (2).

**7)** The hinge can be adjusted in order to reposition the door correctly. See diagrams A, B and C for further information.



door adjustment