



Quality Bathroom Products

Figure 1



All installations must comply with guidelines which are based on a zonal concept. The diagram to the left illustrates this concept and must be followed to ensure the safe installation of bathroom lighting. These regulations apply to domestic installations only. Installations must be made in accordance with the current IEE wiring regulations and relevant building regulations. HiB recommends that all electrical bathroom products should only be fitted by a suitably qualified, Part P registered electrician. This product is IPX4 rated and suitable for installation in Zone 2 and Outside Zones.

Aluminium Cabinets - Fixing Instructions

Thank you for purchasing this HiB product. Please read through these instructions carefully and refer back to them during installation to ensure that your product is fitted safely and that it retains its high quality finish.

Please retain this leaflet for future reference.

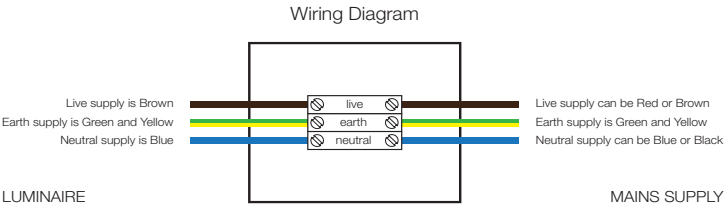
Electrical Safety Information

HiB recommends that all electrical bathroom products should only be fitted by a suitably qualified, Part P registered electrician in accordance with current IEE regulations.

Ensure mains power supply is switched off before starting installation.

Before drilling, ensure there are no hidden cables or pipes in the wall.

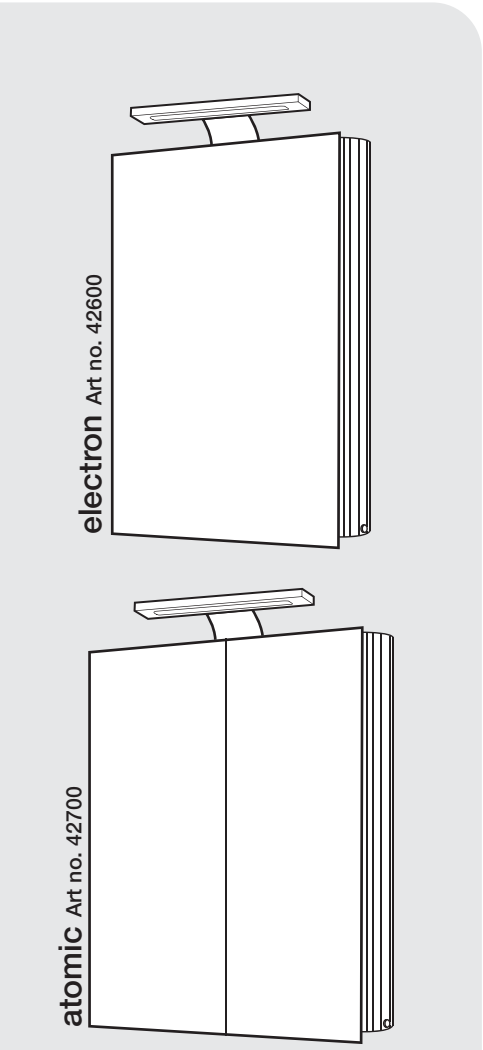
Figure 2



Care Instructions

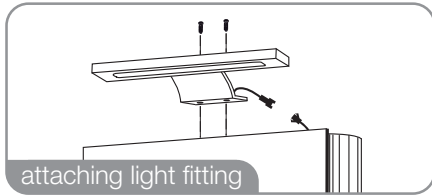
To preserve the high quality finish of your HiB product, please ensure you regard the following care and cleaning recommendations:

- wipe off all water spillages as soon as possible
- mirrors and glass can be cleaned with a proprietary cleaner using a soft cloth, taking care not to get excessive cleaner behind the mirror
- all other surfaces should be cleaned with diluted detergent, i.e. washing up liquid, and a soft cloth
- scourers and scouring agents should not be used, as these may cause damage to the surface of the product

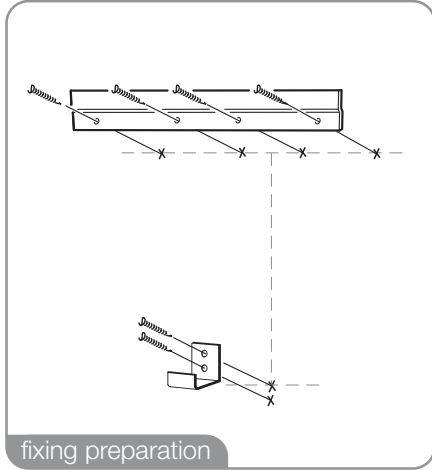


These products must be installed with a minimum distance of 150mm between the infra-red sensor switch and any adjacent wall or object to ensure correct operation of the sensor.

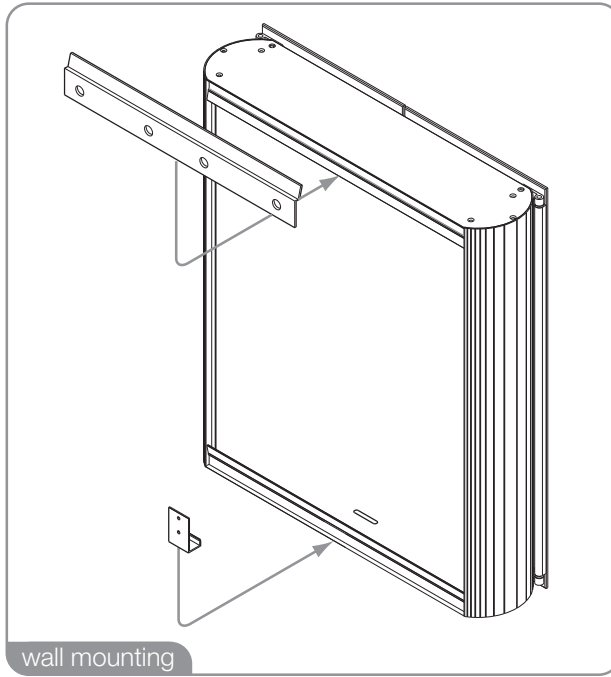




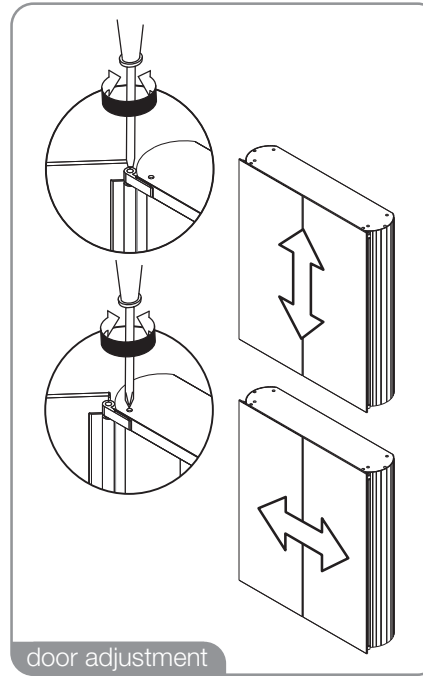
attaching light fitting



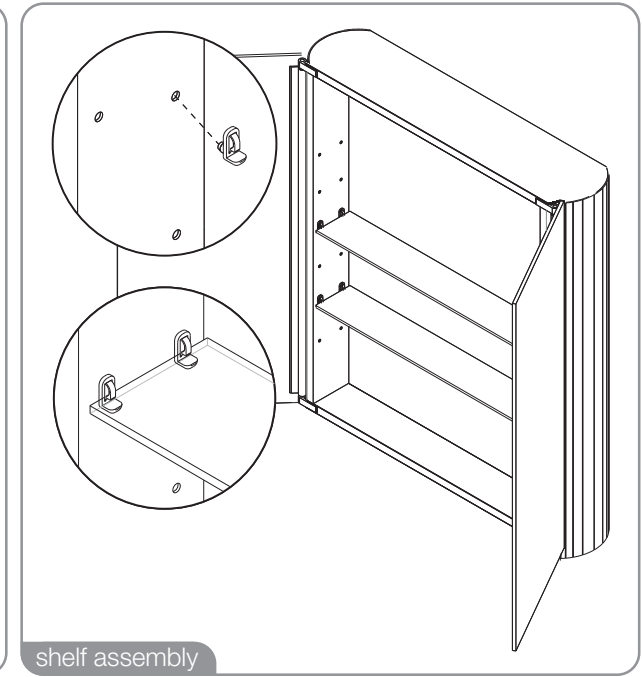
fixing preparation



wall mounting



door adjustment



shelf assembly

1) Attach the LED light fitting on the top of the cabinet using the pre-drilled holes and the screws provided. Push the male and female electrical connections together until they 'click'.

2) Position the cabinet in a suitable location, (according to Figure 1 on the back page), ensuring that the domestic electrical mains supply is within reach of the electrical connection point of the cabinet. Carefully mark the position of the top of the cabinet using a soft pencil.

3) Remove the cabinet from the wall and using a spirit level, mark a horizontal line 50mm below the original pencil mark. Hold

the mounting bracket in place with the holes corresponding with the marked line. Ensure the bracket is central, and mark the position of the holes.

4) Before drilling, ensure there are no hidden cables or pipes behind the mounting points. Drill the required holes in the marked positions. If drilling through tile, use a ceramic drill bit. Insert the wall plugs level with the surface of the wall. If fitting to a tiled surface, wall plugs should be inserted below the tile surface to avoid cracking. NB. For plasterboard walls, specialist fixings should be purchased, available from any DIY or hardware store. Fix the bracket to the wall using the screws provided.

5) Temporarily hang the cabinet on the top bracket, and position the bottom mounting bracket into the slot underneath the cabinet. Mark the position of the bracket using a soft pencil, then remove the cabinet from the wall.

6) Place the bottom bracket on the previously marked line and mark the positions of the holes. Using the same method as before, drill the required holes and attach the bracket to the wall using the screws provided.

7) This cabinet is provided with an electrical supply cable already fitted. This cable should be connected to the household

electrical circuit, and connections should be made in accordance with the latest IEE regulations. This is a Class I product and must be connected to Earth. **Ensure the domestic electrical mains supply to which the product is being connected is turned off.** Connect the domestic mains supply according to Figure 2 on the back page.

8) Hang the cabinet on the wall ensuring that it is firmly located on both brackets. Align doors according to the diagram above.

9) Starting with the top shelf, insert the shelf supports in the desired position and fit the shelf.