

UPS/UPSD Commercial Heating Circulators



Visions & Values

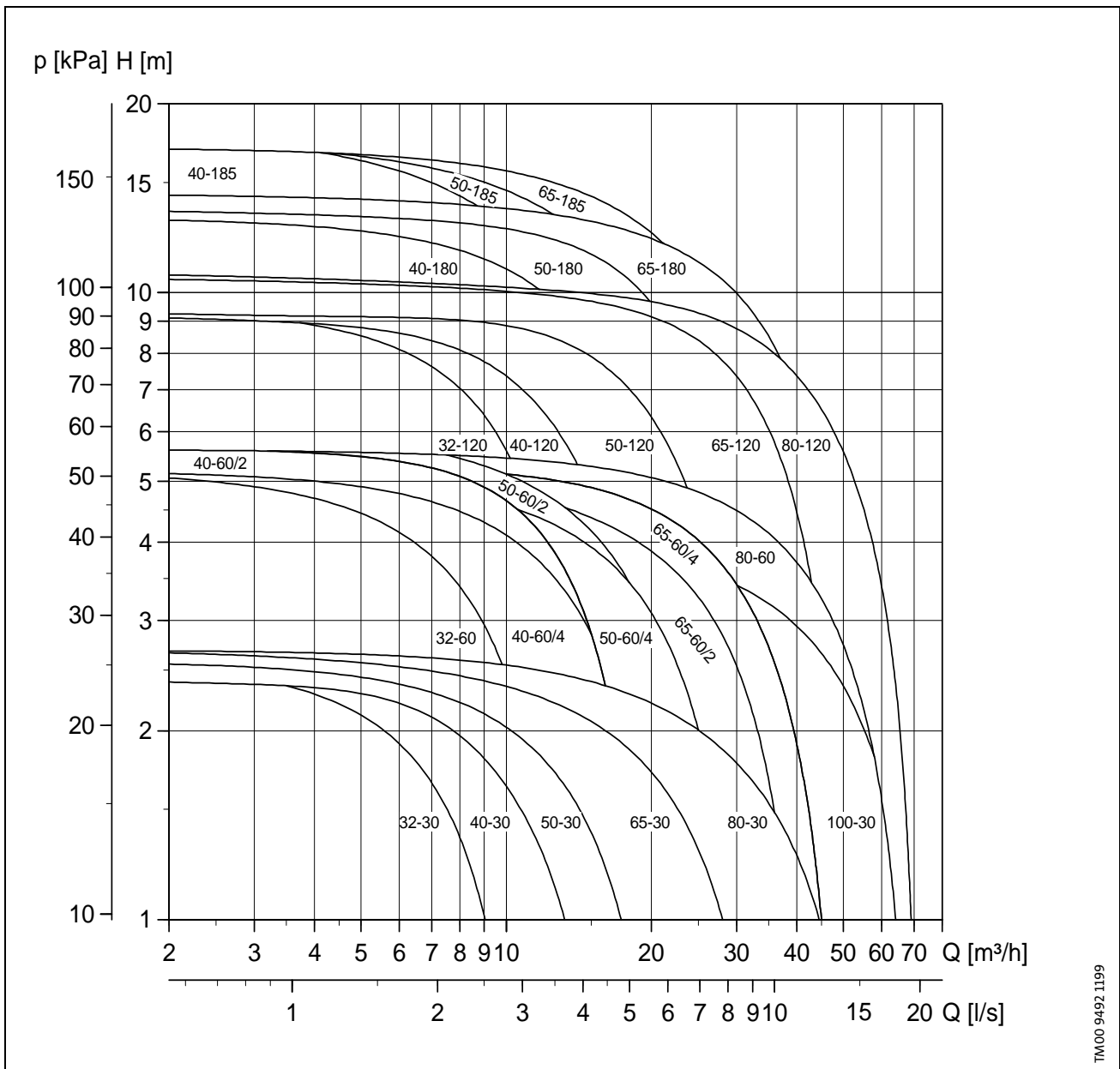
"It is the Vision of the Company to achieve our Corporate Mission by providing quality and innovative products and services that give our customers complete satisfaction, through well-motivated, high performing and well rewarded people.

We achieve this by developing a caring, enjoyable stimulating and challenging working environment, incorporating all our Values"

Sustainable Development

"Sustainable development is a key concept at Grundfos. It is vital that our products demonstrate respect for the environment, especially in terms of energy consumption and use of materials."

Performance range



Product range

Pump type	Pressure stage									Voltage [V]			Poles	
	PN 6 / PN 10	PN 6	PN 10	PN 6 / PN 10 Bronze	PN 6 Bronze	PN 10 Bronze	PN 6 / PN 10	PN 6	PN 10	1 x 230-240	3 x 230	3 x 400-415	2	4
	Single-head pumps					Twin-head pumps								
UPS(D) 32-30 F	•			•			•			•	•	•		•
UPS(D) 32-60 F	•			•			•			•	•	•	•	•
UPS(D) 32-120 F	•			•			•			•	•	•	•	
UPS(D) 40-30 F	•			•			•			•	•	•		•
UPS 40-60/4 F	•			•						•	•	•		•
UPS(D) 40-60/2 F	•			•			•			•	•	•	•	
UPS(D) 40-120 F	•			•			•			•	•	•	•	
UPS 40-180 F	•			•			•			•	•	•	•	
UPS 40-185 F	•									•		•	•	
UPS(D) 50-30 F	•			•			•			•	•	•		•
UPS(D) 50-60/4 F	•			•			•			•	•	•		•
UPS(D) 50-60/2 F	•			•			•			•	•	•	•	
UPS(D) 50-120 F	•			•			•			•	•	•	•	
UPS(D) 50-180 F	•			•			•			•	•	•	•	
UPS 50-185 F	•									•		•	•	
UPS(D) 65-30 F	•			•			•			•	•	•		•
UPS(D) 65-60/4 F	•			•			•			•	•	•		•
UPS(D) 65-60/2 F	•			•			•			•	•	•	•	
UPS(D) 65-120 F	•			•			•			•	•	•	•	
UPS(D) 65-180 F	•			•			•			•	•	•	•	
UPS 65-185 F	•											•	•	
UPS(D) 80-30 F		•	•		•	•		•	•		•	•		•
UPS(D) 80-60 F		•	•		•	•		•	•		•	•		•
UPS(D) 80-120 F		•	•		•	•		•	•		•	•	•	
UPS(D) 100-30 F		•	•		•	•		•	•		•	•		•

Type key

Example	UPS	(D)	65	-120	(/2)	F	(B)
Type range							
Twin-head pump							
Nominal flange diameter [mm]							
Max. head [dm]							
Number of motor poles (only if available both as 2 and 4-pole motor)							
Pump with flanges							
Pump with bronze housing							

Pumped liquids

Thin, clean, non-aggressive and non-explosive liquids, not containing any solid particles, fibres or mineral oil.

In domestic hot water systems, it is advisable to use bronze pumps only for water with a degree of hardness lower than approx. 14 g dH. For water with a higher degree of hardness a TP dry-rotor pump is recommended.

If the pump is installed in a heating system, the water should meet the requirements of accepted standards on water quality in heating systems, e.g. the German standard VDI 2035.

The pumps must **not** be used for the transfer of inflammable liquids such as diesel oil and petrol.

Temperature limits

Ambient temperature: 0°C to 40°C

Liquid temperature

For short periods: +140°C

Continuously: -10°C to +120°C

Domestic hot water: Up to +60°C

Storage temperature: -30°C to +55°C.

Depending on the cast-iron version and the pump application, the maximum liquid temperature may be limited by local regulations and laws.

Technical data

Relative humidity: Max. 95%.

Sound-pressure level: The sound-pressure level of the pump is lower than 41 dB(A) (reference: 20 µPa).

Test pressure: PN 6: 10 bar ~ 1.0 MPa
PN 10: 15 bar ~ 1.5 MPa
PN 6/10: 15 bar ~ 1.5 MPa.

Test liquid: +20°C water containing corrosion inhibitor.

Inlet pressure

To avoid cavitation noise, the following minimum pressures are required at the pump suction flange:

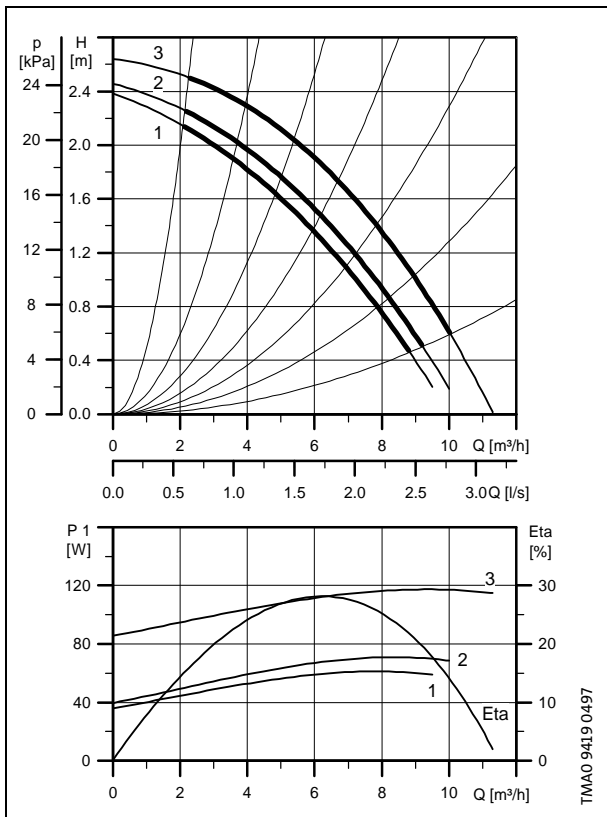
Pump type	Liquid temperature		
	75°C [bar]	90°C [bar]	120°C [bar]
UPS(D)32-30 F	0.05	0.05	1.3
UPS(D)32-60 F	0.05	0.2	1.5
UPS(D) 32-120 F	0.4	0.7	1.95
UPS(D) 40-30 F	0.05	0.15	1.45
UPS 40-60/4 F	0.05	0.05	1.3
UPS(D)40-60/2 F	0.15	0.45	1.75
UPS(D)40-120 F	0.1	0.4	1.7
UPS 40-180 F	0.4	0.7	1.95
UPS 40-185 F	0.55	0.90	1.8
UPS(D)50-30 F	0.05	0.1	1.4
UPS(D)50-60/4 F	0.05	0.15	1.45
UPS(D)50-60/2 F	0.05	0.35	1.65
UPS(D)50-120 F	0.4	0.7	1.95
UPS(D)50-180 F	0.35	0.65	1.9
UPS 50-185 F	0.85	1.0	2.15
UPS(D)65-30 F	0.4	0.7	1.95
UPS(D)65-60/4 F	0.55	0.85	2.1
UPS(D)65-60/2 F	0.45	0.75	2.0
UPS(D)65-120 F	0.9	1.2	2.45
UPS(D)65-180 F	0.7	1.0	2.25
UPS 65-185 F	0.9	1.3	2.35
UPS(D)80-30 F	1.15	1.45	2.7
UPS(D)80-60 F	1.2	1.5	2.75
UPS(D)80-120 F	1.6	1.9	3.15
UPS(D)100-30 F	1.05	1.35	2.6

Curve conditions

The guidelines below apply to the performance curves on the following data sheets:

1. Because of the danger of overheating the pumps must not be used at a flow below 0.1 x Q at best efficiency point.
2. The bold parts of the curves show the **recommended** performance range.
3. Test liquid: Airless water.
4. The curves apply to a liquid temperature of 20°C.
5. All curves show average values and **should not be used as guarantee curves**. If a stated minimum performance is required, individual measurements must be made.
6. The conversion between head H [m] and pressure p [kPa] has been made for water with a density of $\rho = 1000 \text{ kg/m}^3$. For liquids with other densities, e.g. hot water, the discharge pressure is proportional with the density.
7. Power curves, efficiency curves and electrical data for twin-head pumps apply to single-pump operation.

UPS 32-30 F, UPSD 32-30 F



Inlet pressure

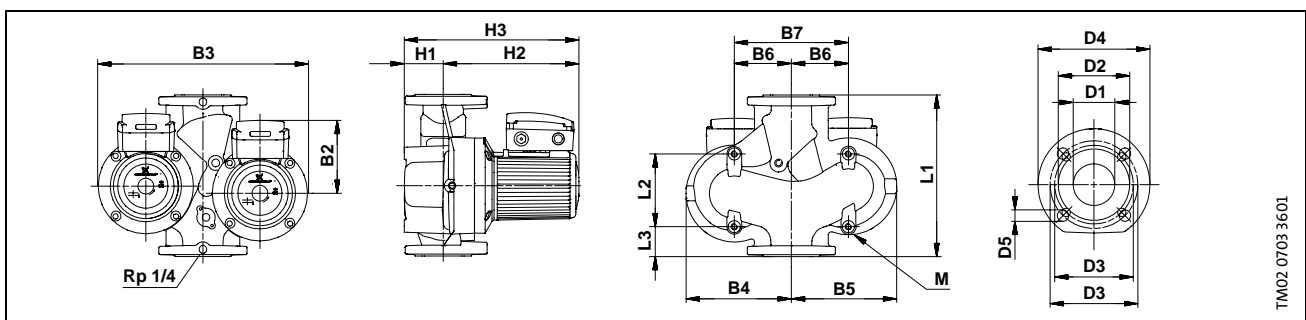
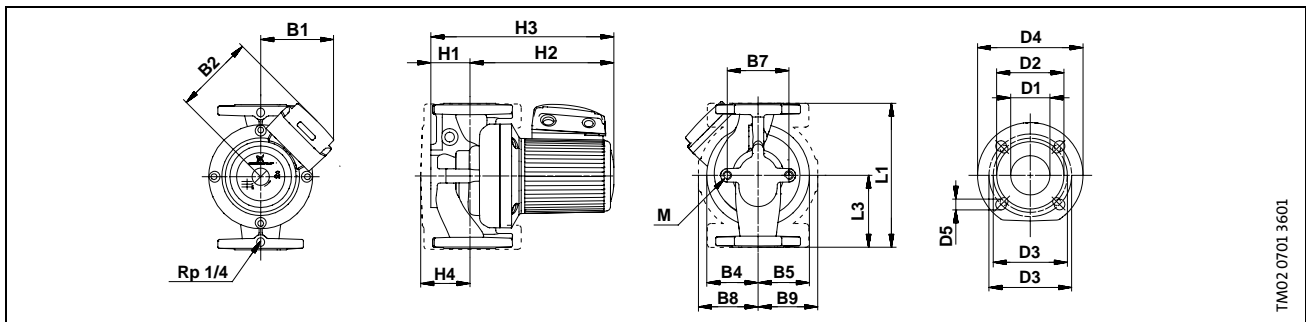
t_m [°C]	75	90	120
H_{min} [bar]	0.05	0.05	1.3

Electrical data

		P_{max} [W]	P_{min} [W]	$I_{1/1}$ [A]	$\cos \phi$
3 x 230 V	Speed 1	60	35	0.26	0.58
	Speed 2	70	40	0.31	0.56
	Speed 3	115	85	0.87	0.33
3 x 400-415 V	Speed 1	60	35	0.15	0.58
	Speed 2	70	40	0.18	0.56
	Speed 3	115	85	0.50	0.33

Series 200 is also available for 1 x 230-240 V

Single-head pumps are available with bronze housing, type B.

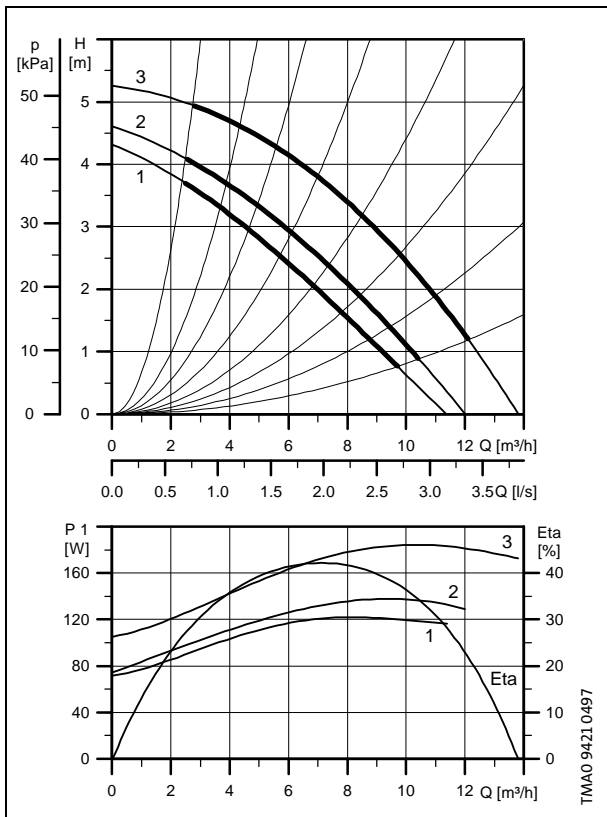


Dimensions and weights

Pump type	PN	Dimensions [mm]																				Weights [kg]*		Ship. Vol. [m³]		
		L1	L2	L3	B1	B2	B3	B4	B5	B6	B7	B8	B9	H1	H2	H3	H4	D1	D2	D3	D4	D5	M		Net	Gross
UPS 32-30 F	6/10	220	-	110	135	141	-	75	75	-	80	110	110	68	245	313	104	32	78	90/100	140	14/19	M12	17.3	18.6	0.027
UPSD 32-30 F	6/10	220	103	52	-	141	360	180	180	100	200	-	-	68	245	313	-	32	78	90/100	140	14/19	M12	33.7	36.1	0.040

* Weights of bronze versions are approx. 10% higher.

UPS 32-60 F, UPSD 32-60 F



Inlet pressure

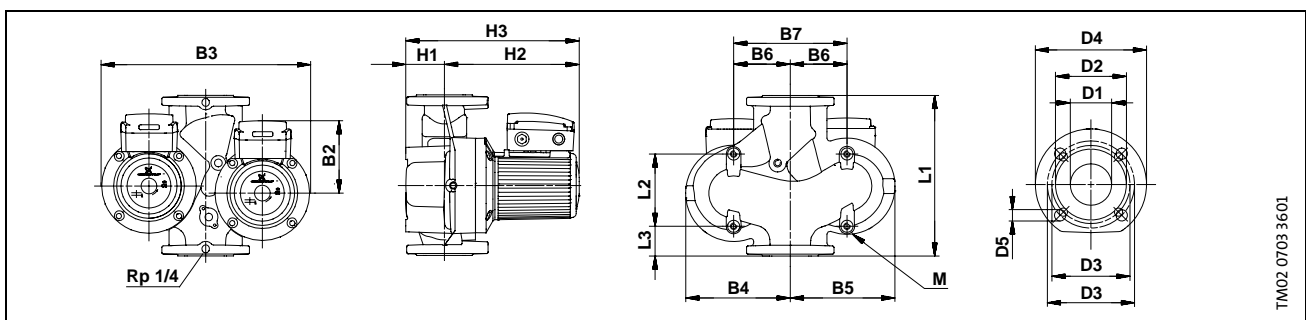
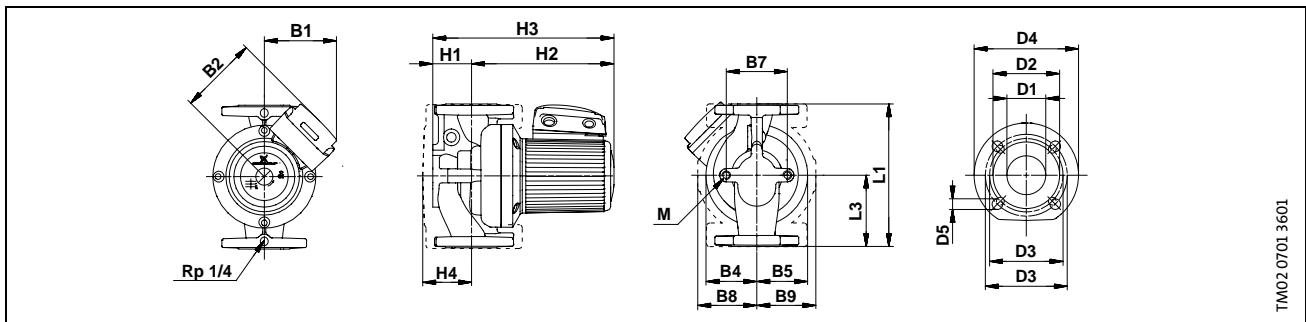
t_m [°C]	75	90	120
H_{min} [bar]	0.05	0.2	1.5

Electrical data

		P_{max} [W]	P_{min} [W]	$I_{1/1}$ [A]	$\cos \phi$
3 x 230 V	Speed 1	120	70	0.37	0.82
	Speed 2	140	75	0.40	0.88
	Speed 3	185	105	0.68	0.68
3 x 400-415 V	Speed 1	120	70	0.21	0.82
	Speed 2	140	75	0.23	0.88
	Speed 3	185	105	0.39	0.68

Series 200 is also available for 1 x 230-240 V.

Single-head pumps are available with bronze housing, type B.

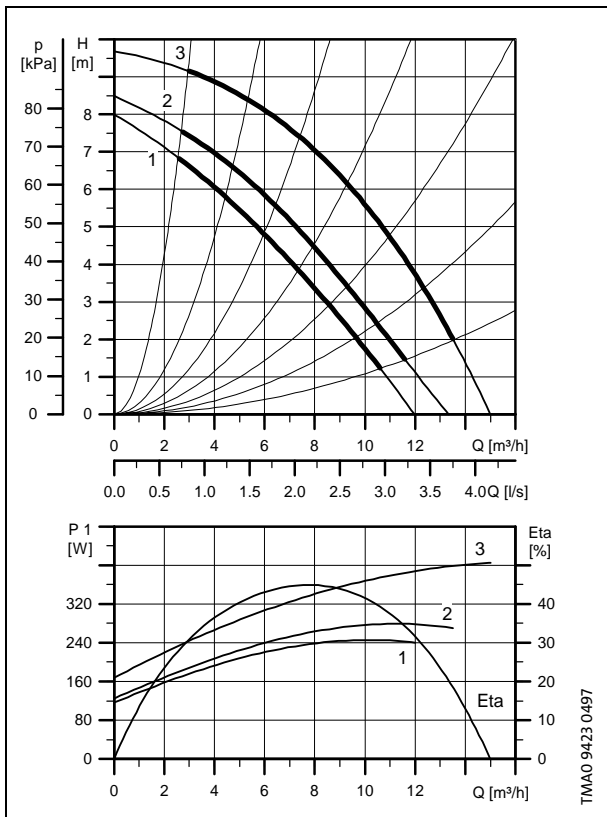


Dimensions and weights

Pump type	PN	Dimensions [mm]																				Weights [kg]*		Ship. Vol. [m³]		
		L1	L2	L3	B1	B2	B3	B4	B5	B6	B7	B8	B9	H1	H2	H3	H4	D1	D2	D3	D4	D5	M		Net	Gross
UPS 32-60 F	6/10	220	-	110	135	141	-	75	75	-	80	110	110	68	242	310	103	32	78	90/100	140	14/19	M12	17.3	18.6	0.027
UPSD 32-60 F	6/10	220	103	52	-	141	360	180	180	100	200	-	-	68	242	310	-	32	78	90/100	140	14/19	M12	33.7	36.1	0.040

* Weights of bronze versions are approx. 10% higher.

UPS 32-120 F, UPSD 32-120 F



Inlet pressure

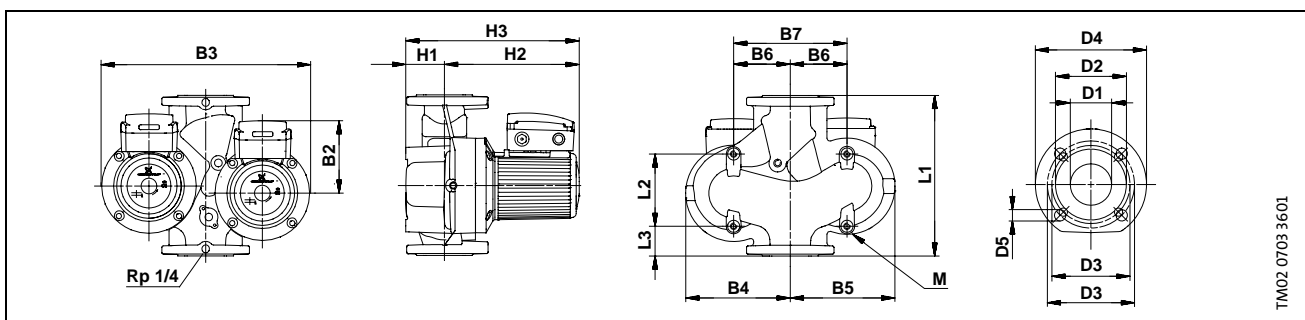
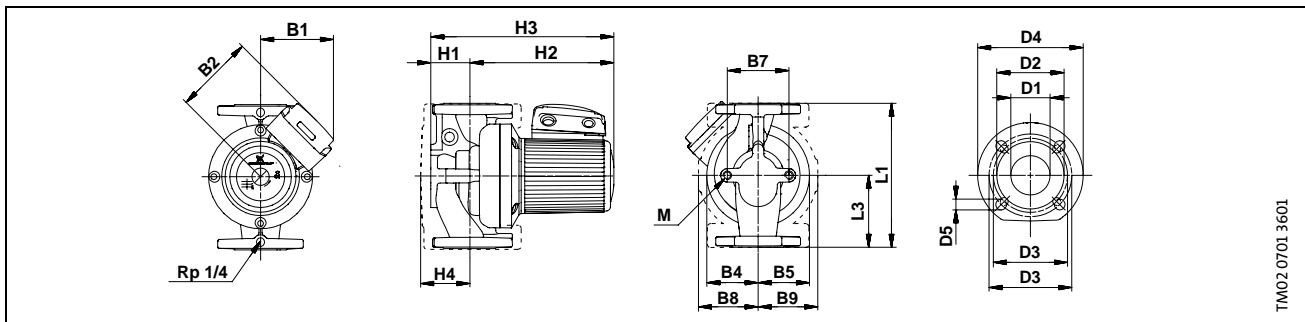
t_m [°C]	75	90	120
H_{min} [bar]	0.4	0.7	1.95

Electrical data

		P_{max} [W]	P_{min} [W]	$I_{1/1}$ [A]	$\cos \phi$
3 x 230 V	Speed 1	245	120	0.73	0.84
	Speed 2	280	130	0.82	0.86
	Speed 3	400	170	1.36	0.74
3 x 400-415 V	Speed 1	245	120	0.42	0.84
	Speed 2	280	130	0.47	0.86
	Speed 3	400	170	0.78	0.74

Series 200 is also available for 1 x 230-240 V.

Single-head pumps are available with bronze housing, type B.

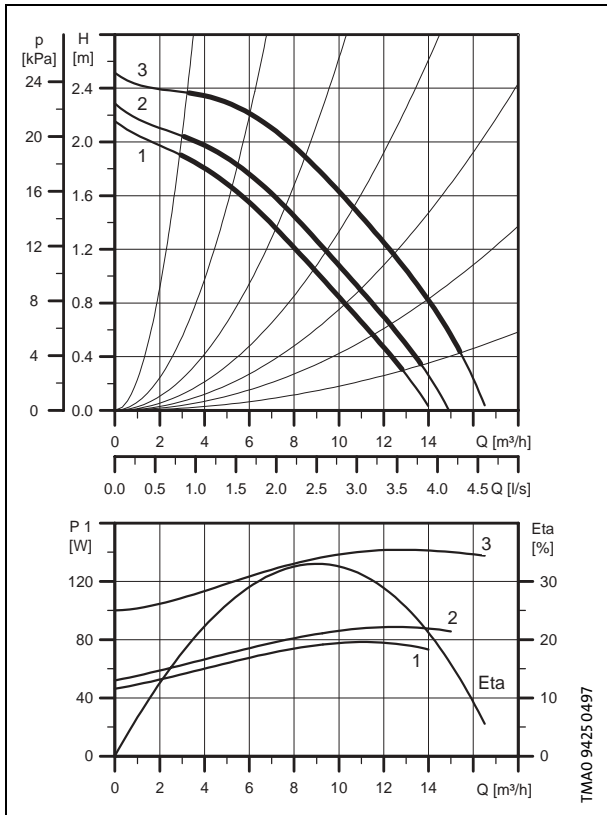


Dimensions and weights

Pump type	PN	Dimensions [mm]																				Weights [kg]*		Ship. Vol. [m³]		
		L1	L2	L3	B1	B2	B3	B4	B5	B6	B7	B8	B9	H1	H2	H3	H4	D1	D2	D3	D4	D5	M		Net	Gross
UPS 32-120 F	6/10	220	-	110	135	141	-	75	75	-	80	110	110	68	243	311	103	32	78	90/100	140	14/19	M12	17.3	18.6	0.027
UPSD 32-120 F	6/10	220	103	52	-	141	360	180	180	100	200	-	-	68	243	311	-	32	78	90/100	140	14/19	M12	34.2	37.1	0.040

* Weights of bronze versions are approx. 10% higher.

UPS 40-30 F, UPSD 40-30 F



Inlet pressure

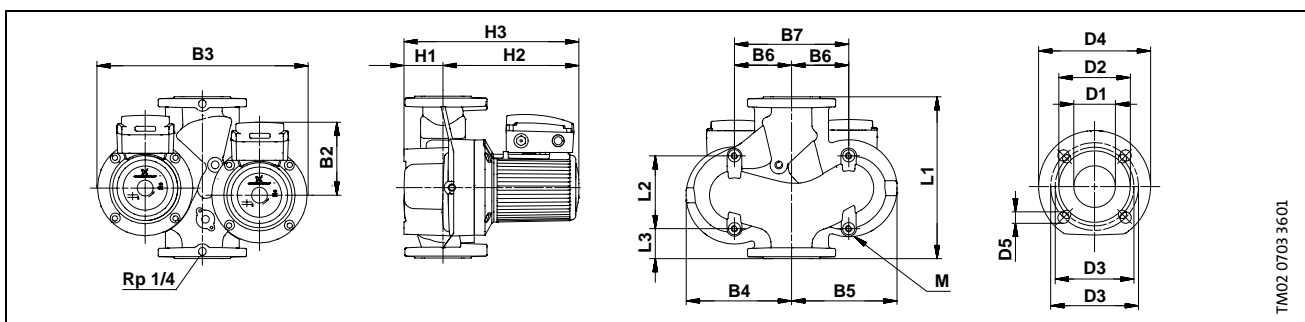
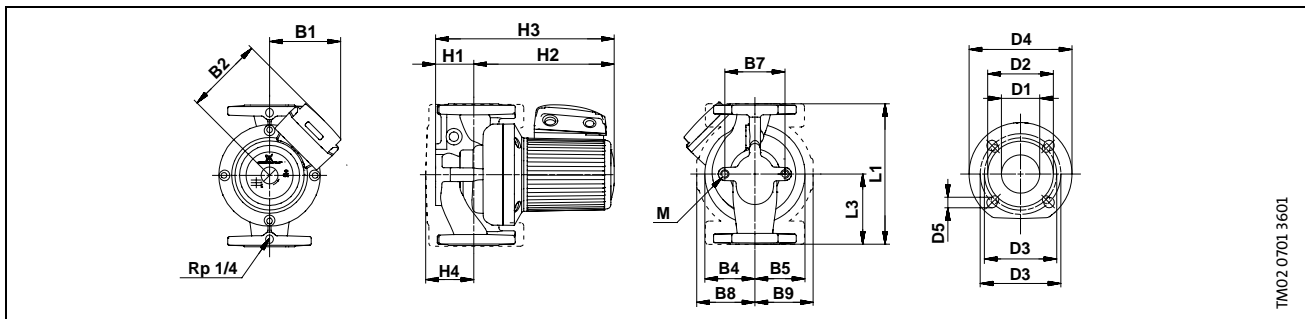
t_m [°C]	75	90	120
H_{min} [bar]	0.05	0.15	1.45

Electrical data

		P_{max} [W]	P_{min} [W]	$I_{1/1}$ [A]	$\cos \phi$
3 x 230 V	Speed 1	80	45	0.30	0.68
	Speed 2	90	50	0.35	0.65
	Speed 3	140	100	0.90	0.39
3 x 400-415 V	Speed 1	80	45	0.17	0.68
	Speed 2	90	50	0.20	0.65
	Speed 3	140	100	0.52	0.39

Series 200 is also available for 1 x 230-240 V.

Single-head pumps are available with bronze housing, type B.

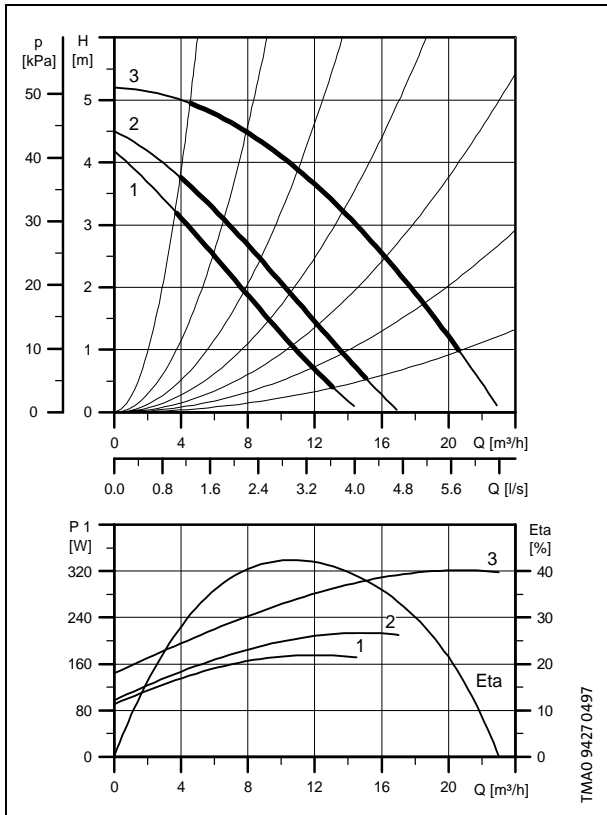


Dimensions and weights

Pump type	PN	Dimensions [mm]																				Weights [kg]*		Ship. Vol. [m³]		
		L1	L2	L3	B1	B2	B3	B4	B5	B6	B7	B8	B9	H1	H2	H3	H4	D1	D2	D3	D4	D5	M		Net	Gross
UPS 40-30 F	6/10	250	-	125	135	141	-	85	75	-	120	118	110	68	249	317	108	40	88	100/110	150	14/19	M12	18.8	20.1	0.027
UPSD 40-30 F	6/10	250	126	45	-	141	360	180	180	100	200	-	-	68	249	317	-	40	88	100/110	150	14/19	M12	36.2	39.1	0.058

* Weights of bronze versions are approx. 10% higher.

UPS 40-60/4 F



Inlet pressure

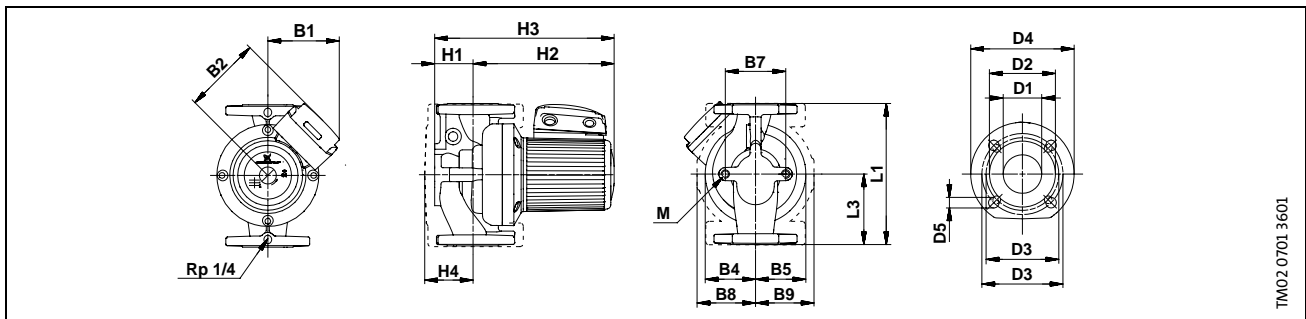
t_m [°C]	75	90	120
H_{min} [bar]	0.05	0.05	1.3

Electrical data

		P_{max} [W]	P_{min} [W]	$I_{1/1}$ [A]	$\cos \phi$
3 x 230 V	Speed 1	175	90	0.56	0.79
	Speed 2	215	100	0.66	0.82
	Speed 3	320	145	1.15	0.70
3 x 400-415 V	Speed 1	175	90	0.32	0.79
	Speed 2	215	100	0.38	0.82
	Speed 3	320	145	0.66	0.70

Series 200 is also available for 1 x 230-240 V.

Single-head pumps are available with bronze housing, type B.

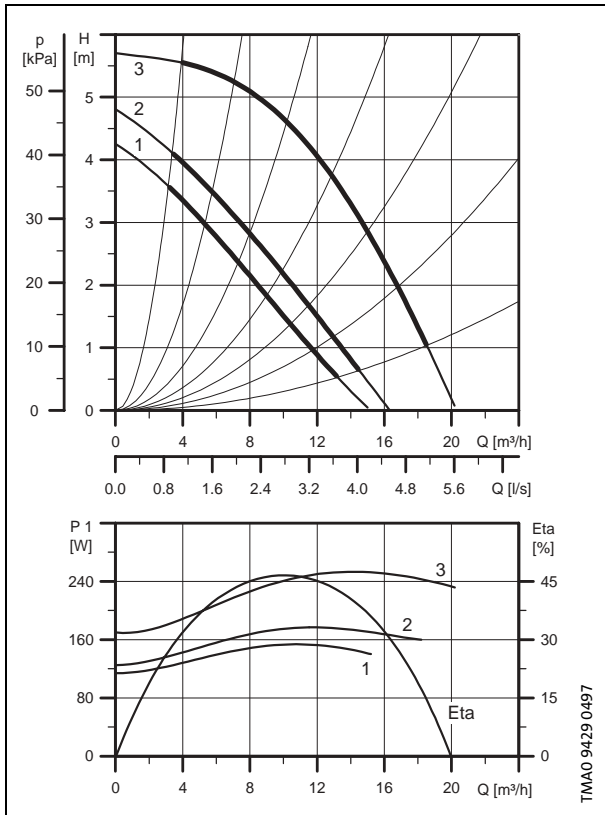


Dimensions and weights

Pump type	PN	Dimensions [mm]																				Weights [kg]*		Ship. Vol. [m³]		
		L1	L2	L3	B1	B2	B3	B4	B5	B6	B7	B8	B9	H1	H2	H3	H4	D1	D2	D3	D4	D5	M		Net	Gross
UPS 40-60/4 F	6/10	250	-	125	135	141	-	100	100	-	120	134	134	75	246	321	115	40	88	100/110	150	14/19	M12	22.6	23.9	0.027

* Weights of bronze versions are approx. 10% higher.

UPS 40-60/2 F, UPSD 40-60/2 F



Inlet pressure

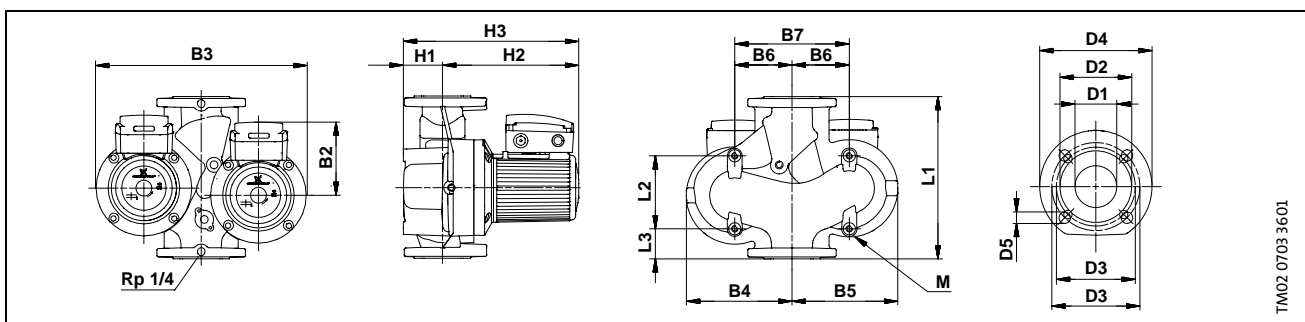
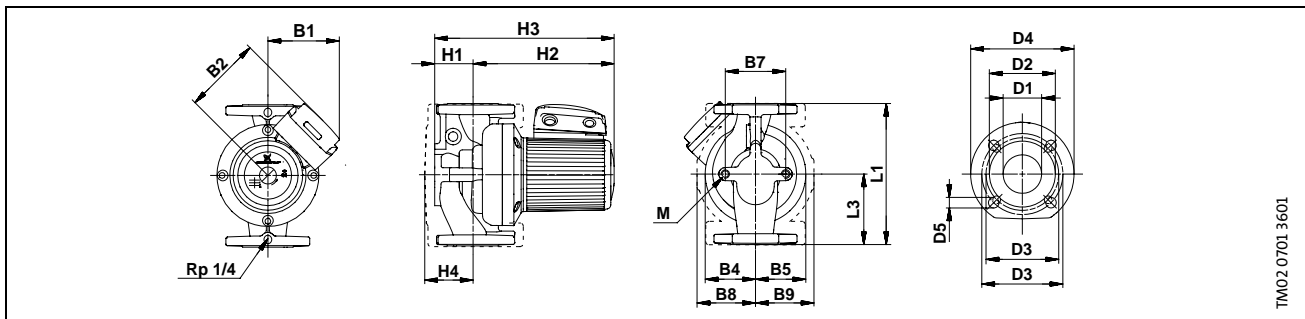
t_m [°C]	75	90	120
H_{min} [bar]	0.15	0.45	1.75

Electrical data

		P_{max} [W]	P_{min} [W]	$I_{1/1}$ [A]	$\cos \phi$
3 x 230 V	Speed 1	155	115	0.43	0.89
	Speed 2	175	125	0.50	0.87
	Speed 3	250	170	0.80	0.78
3 x 400-415 V	Speed 1	155	115	0.25	0.89
	Speed 2	175	125	0.29	0.87
	Speed 3	250	170	0.46	0.78

Series 200 is also available for 1 x 230-240 V.

Single-head pumps are available with bronze housing, type B.

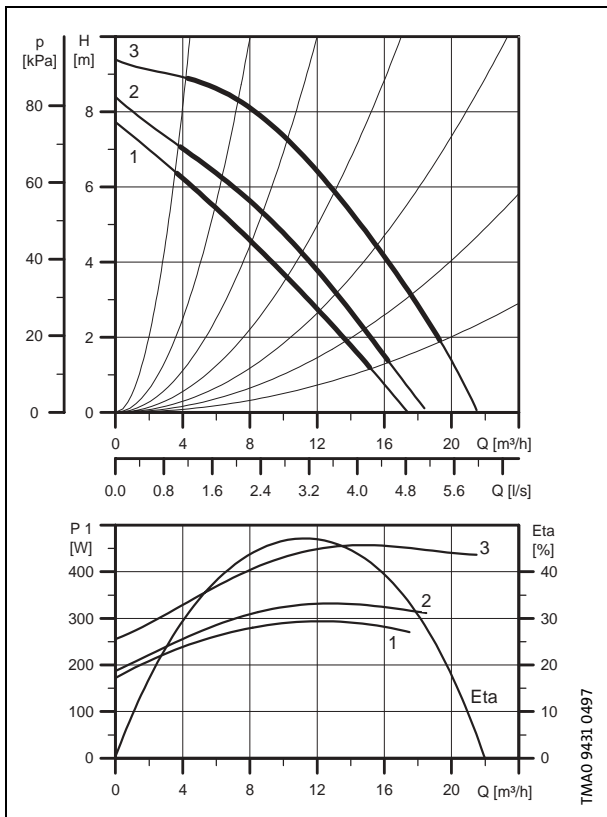


Dimensions and weights

Pump type	PN	Dimensions [mm]																				Weights [kg]*		Ship. Vol. [m³]		
		L1	L2	L3	B1	B2	B3	B4	B5	B6	B7	B8	B9	H1	H2	H3	H4	D1	D2	D3	D4	D5	M		Net	Gross
UPS 40-60/2 F	6/10	250	-	125	135	141	-	75	75	-	80	110	110	68	245	313	103	40	88	100/110	150	14/19	M12	18.3	19.6	0.027
UPSD 40-60/2 F	6/10	250	125	45	-	141	360	180	180	100	200	-	-	68	246	314	-	40	88	100/110	150	14/19	M12	38.2	40.1	0.040

* Weights of bronze versions are approx. 10% higher.

UPS 40-120 F, UPSD 40-120 F



Inlet pressure

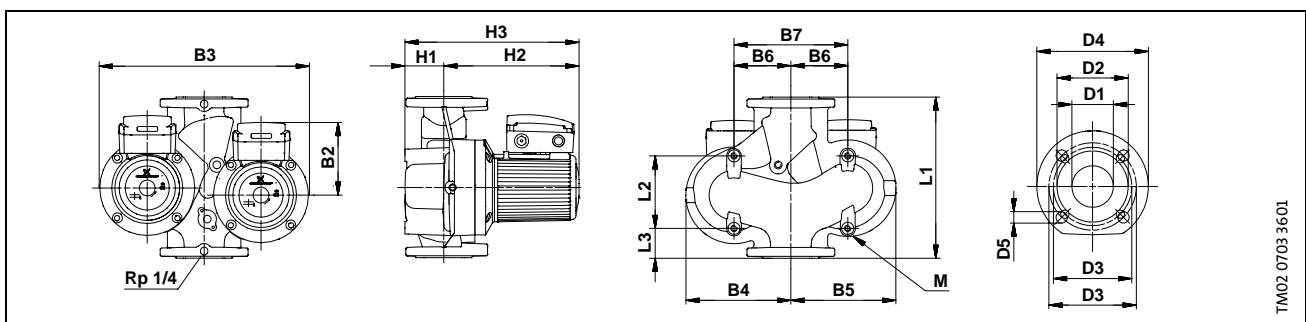
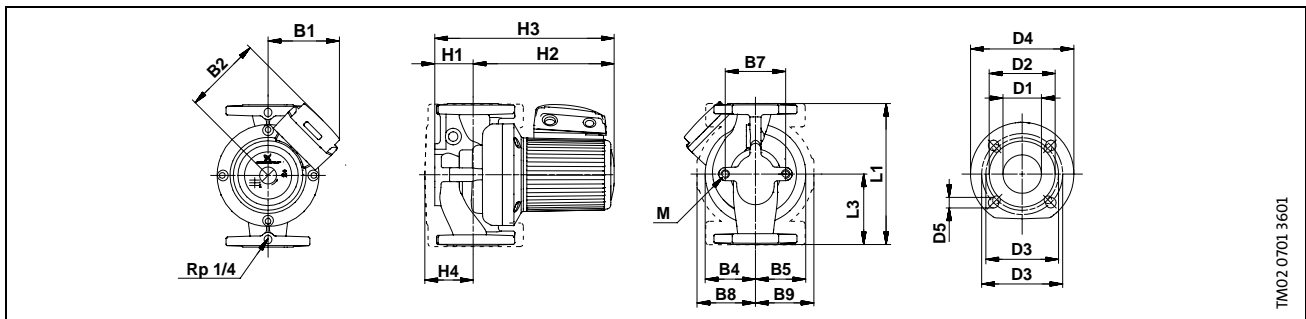
t_m [°C]	75	90	120
H_{min} [bar]	0.1	0.4	1.7

Electrical data

		P_{max} [W]	P_{min} [W]	$I_{1/1}$ [A]	$\cos \phi$
3 x 230 V	Speed 1	290	175	0.85	0.85
	Speed 2	330	190	0.97	0.85
	Speed 3	460	260	1.60	0.72
3 x 400-415 V	Speed 1	290	175	0.49	0.85
	Speed 2	330	190	0.56	0.85
	Speed 3	460	260	0.92	0.72

Series 200 is also available for 1 x 230-240 V.

Single-head pumps are available with bronze housing, type B.

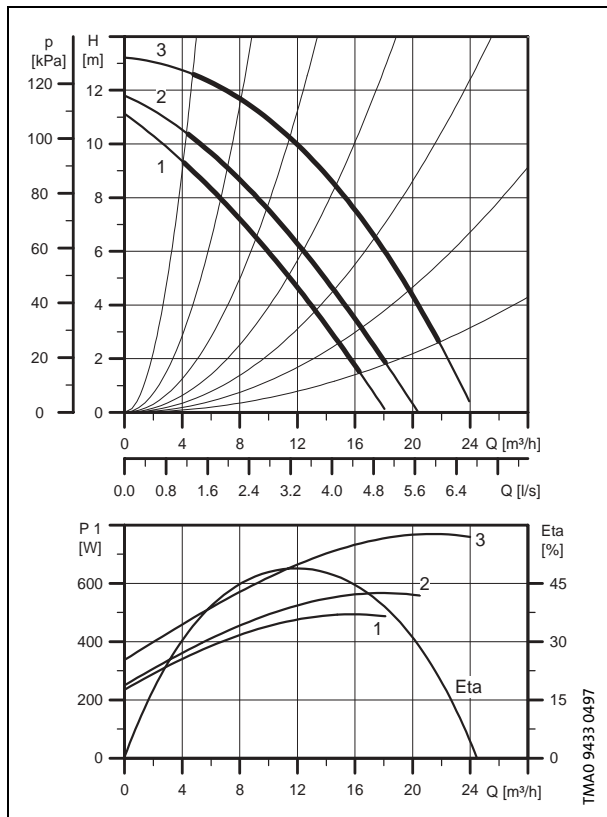


Dimensions and weights

Pump type	PN	Dimensions [mm]																				Weights [kg]*		Ship. Vol. [m³]		
		L1	L2	L3	B1	B2	B3	B4	B5	B6	B7	B8	B9	H1	H2	H3	H4	D1	D2	D3	D4	D5	M		Net	Gross
UPS 40-120 F	6/10	250	-	125	135	141	-	75	75	-	80	110	110	68	245	313	103	40	88	100/110	150	14/19	M12	19.1	20.4	0.027
UPSD 40-120 F	6/10	250	126	45	-	141	360	180	180	100	200	-	-	68	245	313	-	40	88	100/110	150	14/19	M12	39.3	41.4	0.040

*Weights of bronze versions are approx. 10% higher.

UPS 40-180 F



Inlet pressure

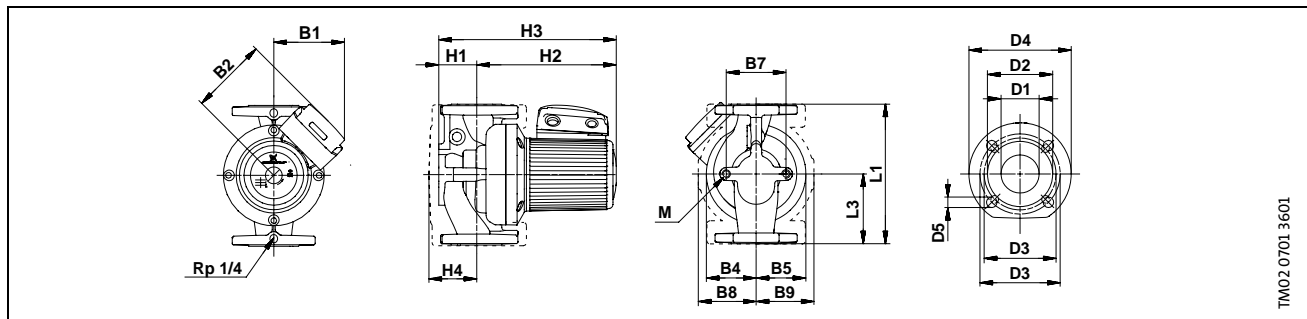
t_m [°C]	75	90	120
H_{min} [bar]	0.4	0.7	1.95

Electrical data

		P_{max} [W]	P_{min} [W]	$I_{1/1}$ [A]	$\cos \phi$
3 x 230 V	Speed 1	490	235	1.43	0.86
	Speed 2	570	250	1.63	0.86
	Speed 3	770	350	2.26	0.85
3 x 400-415 V	Speed 1	490	235	0.82	0.86
	Speed 2	570	250	0.94	0.86
	Speed 3	770	350	1.30	0.85

Series 200 is also available for 1 x 230-240 V.

Single-head pumps are available with bronze housing, type B.

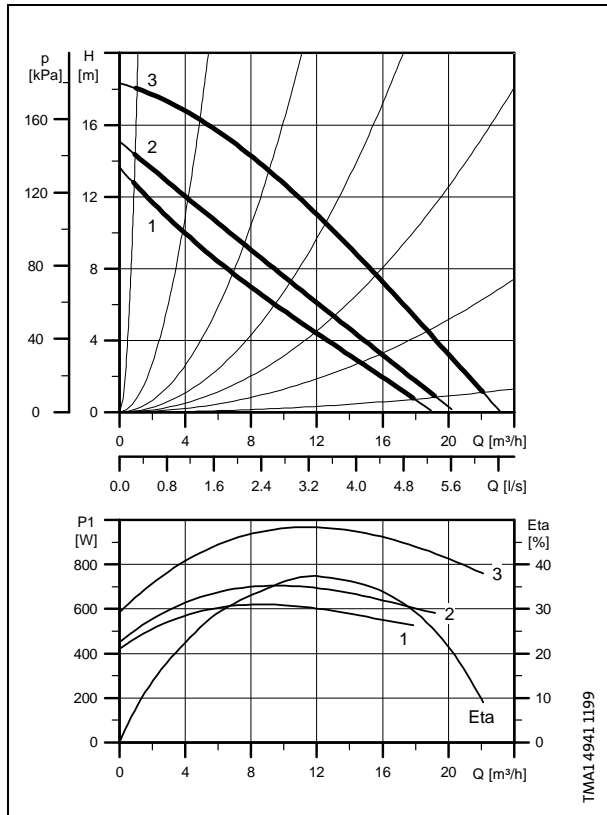


Dimensions and weights

Pump type	PN	Dimensions [mm]																			Weights [kg]*		Ship. Vol. [m³]			
		L1	L2	L3	B1	B2	B3	B4	B5	B6	B7	B8	B9	H1	H2	H3	H4	D1	D2	D3	D4	D5		M	Net	Gross
UPS 40-180 F	6/10	250	-	125	145	169	-	100	100	-	80	134	134	68	241	309	106	40	88	100/110	150	14/19	M12	22.6	23.9	0.034

* Weights of bronze versions are approx. 10% higher.

UPS 40-185 F



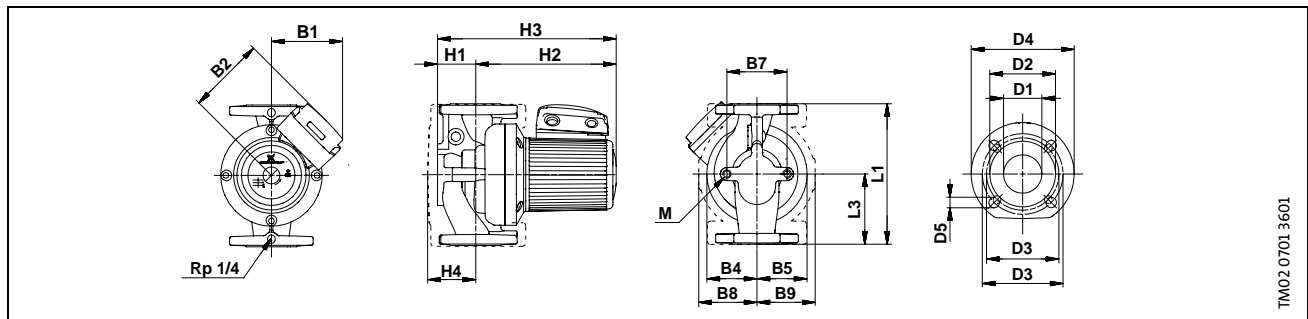
Inlet pressure

t_m [°C]	70	90	120
H_{min} [bar]	0.55	0.90	1.8

Electrical data

		P_{max} [W]	P_{min} [W]	$I_{1/1}$ [A]	$\cos \phi$
3 x 400-415 V	Speed 1	620	415	1.04	0.86
	Speed 2	705	450	1.18	0.86
	Speed 3	975	580	1.80	0.78

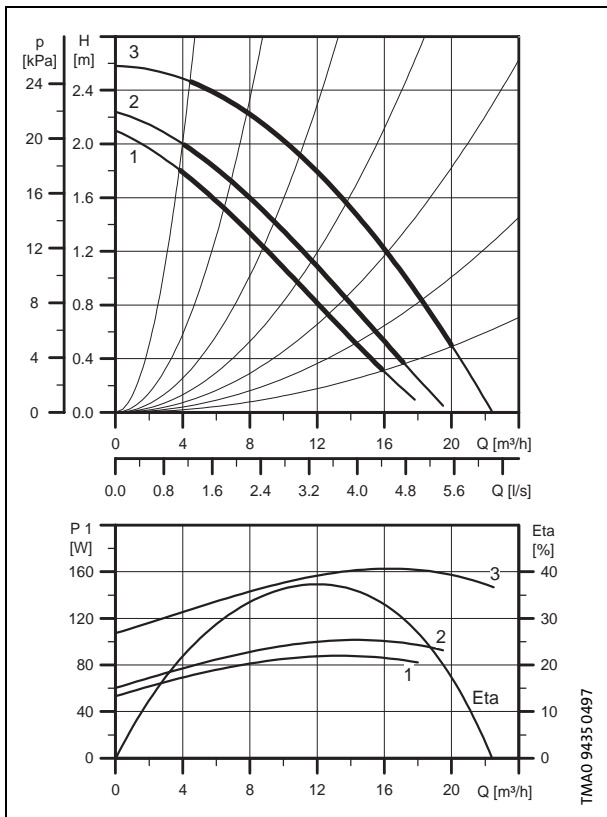
Series 200 is also available for 1 x 230-240 V.



Dimensions and weights

Pump type	PN	Dimensions [mm]																				Weights [kg]		Ship. Vol. [m³]		
		L1	L2	L3	B1	B2	B3	B4	B5	B6	B7	B8	B9	H1	H2	H3	H4	D1	D2	D3	D4	D5	M		Net	Gross
UPS 40-185 F	6/10	250	-	125	142	155	-	100	102	-	96	-	-	67	231	298	-	42	80	100/110	150	14/19	M12	22.6	23.9	0.034

UPS 50-30 F, UPSD 50-30 F



Inlet pressure

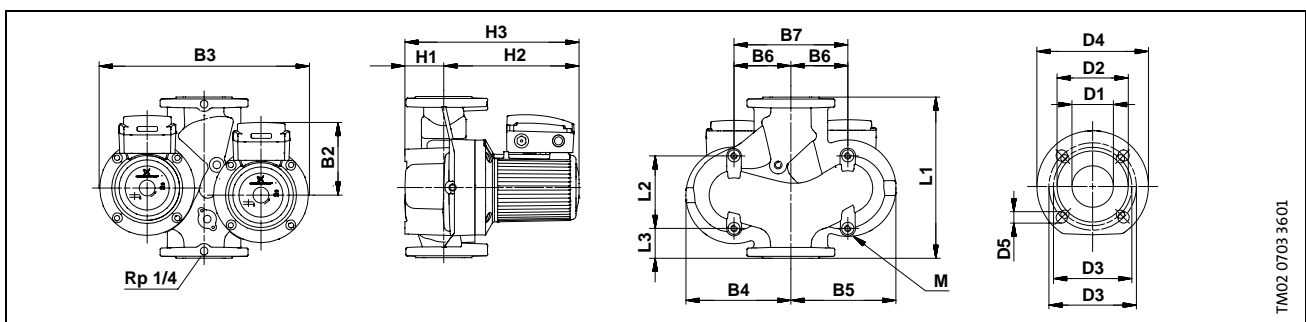
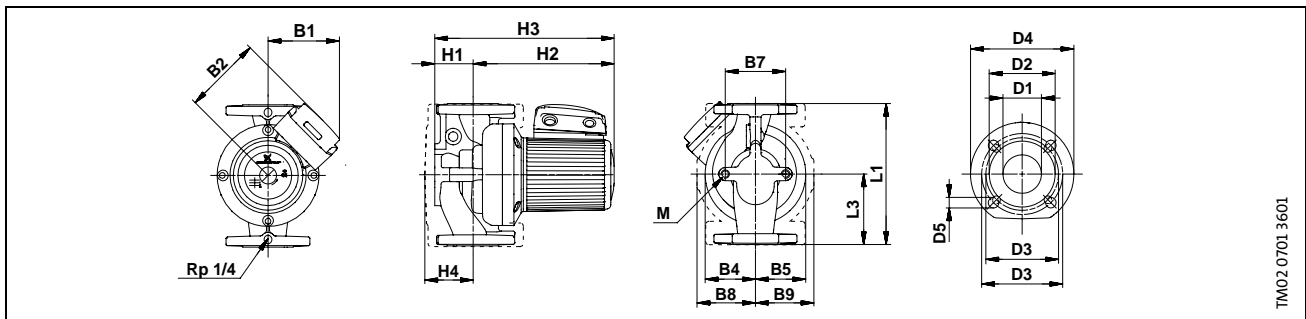
t_m [°C]	75	90	120
H_{min} [bar]	0.05	0.1	1.4

Electrical data

		P_{max} [W]	P_{min} [W]	$I_{1/1}$ [A]	$\cos \phi$
3 x 230 V	Speed 1	90	55	0.37	0.62
	Speed 2	100	60	0.38	0.66
	Speed 3	160	105	0.90	0.44
3 x 400-415 V	Speed 1	90	55	0.21	0.62
	Speed 2	100	60	0.22	0.66
	Speed 3	160	105	0.52	0.44

Series 200 is also available for 1 x 230-240 V.

Single-head pumps are available with bronze housing, type B.

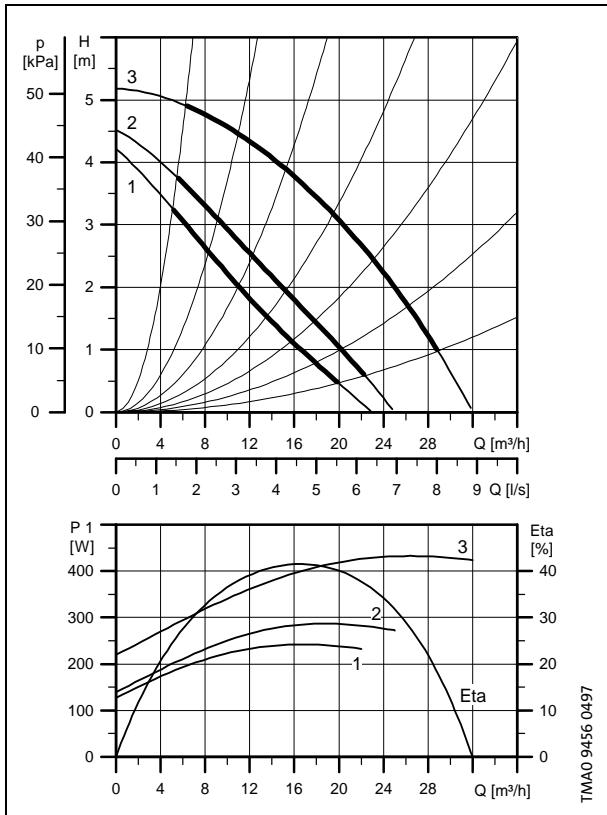


Dimensions and weights

Pump type	PN	Dimensions [mm]																				Weights [kg]*		Ship. Vol. [m³]		
		L1	L2	L3	B1	B2	B3	B4	B5	B6	B7	B8	B9	H1	H2	H3	H4	D1	D2	D3	D4	D5	M		Net	Gross
UPS 50-30 F	6/10	280	-	140	135	141	-	90	75	-	120	122	111	82	251	333	123	50	102	110/125	165	14/19	M12	21.8	23.4	0.034
UPSD 50-30 F	6/10	280	125	60	-	141	360	180	180	100	200	-	-	82	251	333	-	50	102	110/125	165	14/19	M12	41.2	44.1	0.058

*Weights of bronze versions are approx. 10% higher.

UPS 50-60/4 F, UPSD 50-60/4 F



Inlet pressure

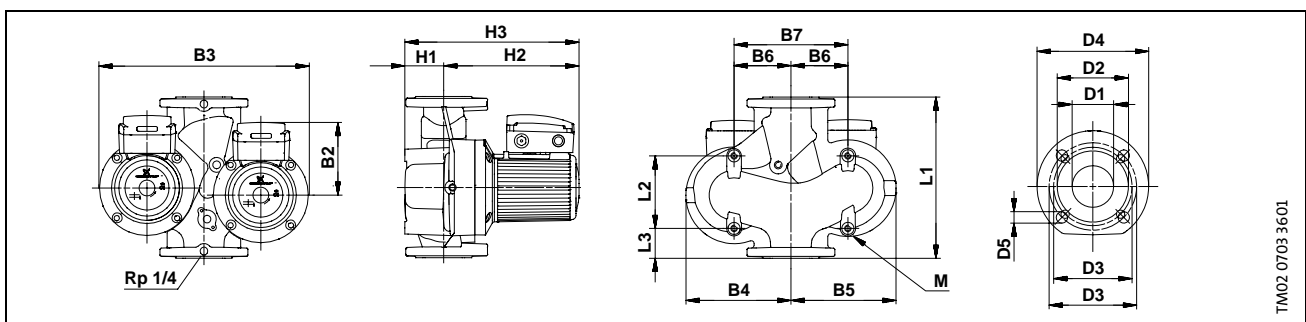
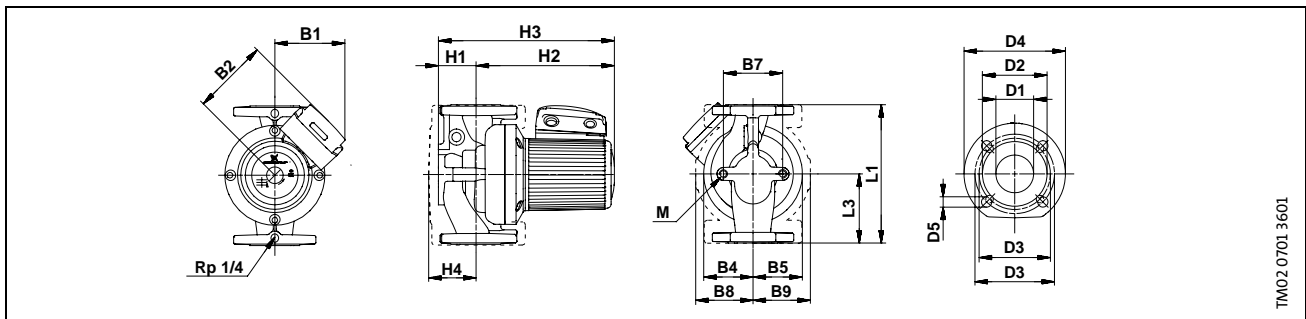
t_m [°C]	75	90	120
H_{min} [bar]	0.05	0.15	1.45

Electrical data

		P_{max} [W]	P_{min} [W]	$I_{1/1}$ [A]	$\cos \phi$
3 x 230 V	Speed 1	240	130	0.75	0.81
	Speed 2	290	140	0.87	0.84
	Speed 3	430	220	1.60	0.67
3 x 400-415 V	Speed 1	240	130	0.43	0.81
	Speed 2	290	140	0.50	0.84
	Speed 3	430	220	0.92	0.67

Series 200 is also available for 1 x 230-240 V.

Single-head pumps are available with bronze housing, type B.

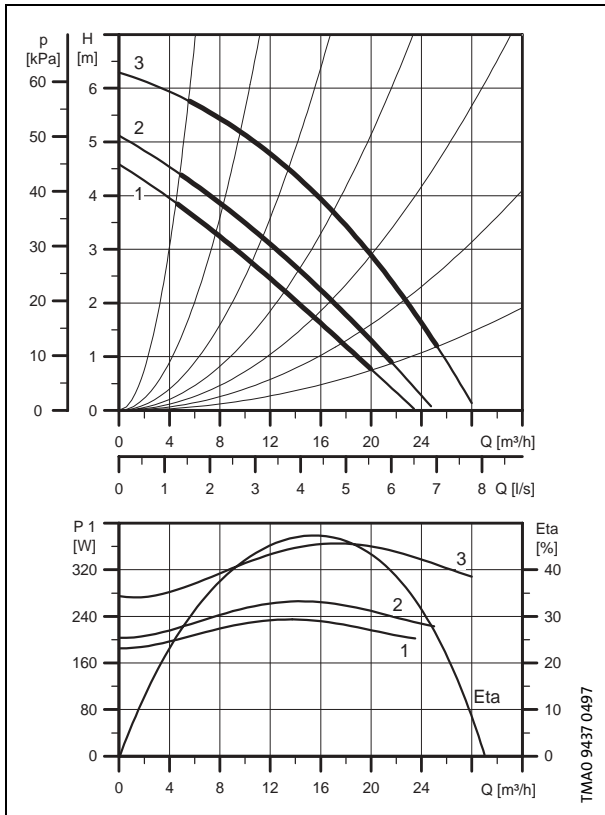


Dimensions and weights

Pump type	PN	Dimensions [mm]																			Weights [kg]*		Ship. Vol. [m³]			
		L1	L2	L3	B1	B2	B3	B4	B5	B6	B7	B8	B9	H1	H2	H3	H4	D1	D2	D3	D4	D5		M	Net	Gross
UPS 50-60/4 F	6/10	280	-	140	135	141	-	110	100	-	120	135	135	82	237	319	120	50	102	110/125	165	14/19	M12	25.1	26.7	0.034
UPSD 50-60/4 F	6/10	280	125	60	-	169	450	225	225	100	200	-	-	82	281	363	-	50	102	110/125	165	14/19	M12	68.0	71.0	0.058

*Weights of bronze versions are approx. 10% higher.

UPS 50-60/2 F, UPSD 50-60/2 F



Inlet pressure

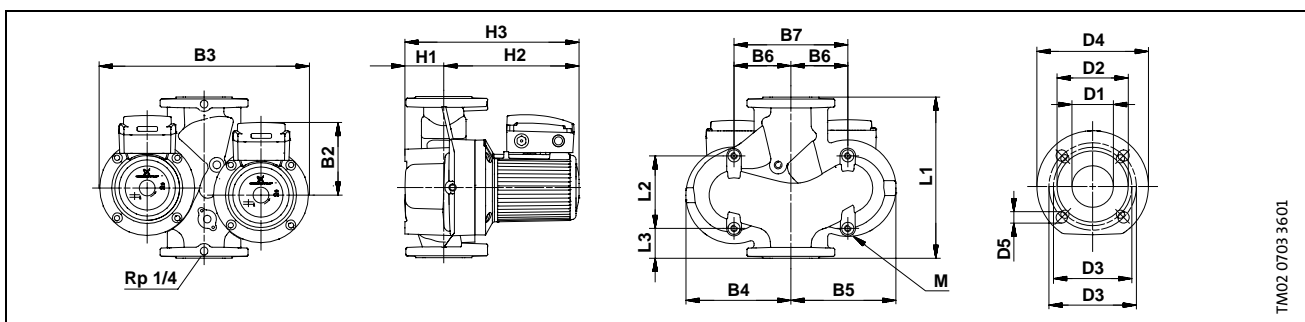
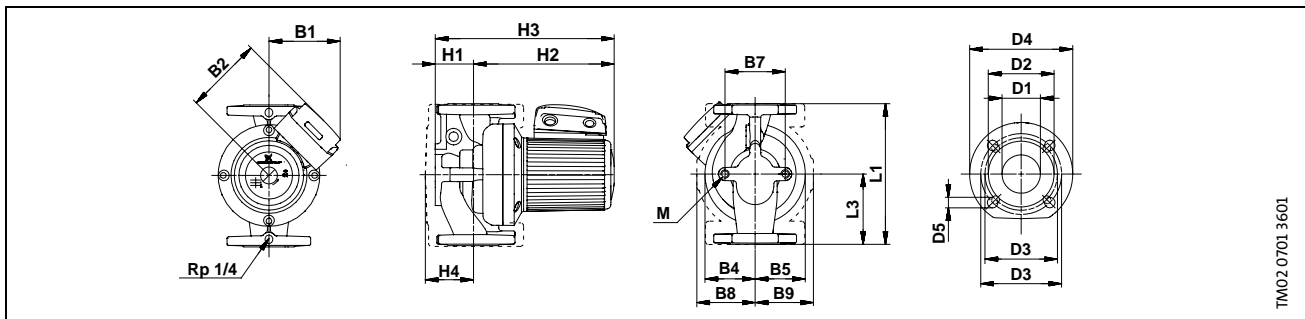
t_m [°C]	75	90	120
H_{min} [bar]	0.05	0.35	1.65

Electrical data

		P_{max} [W]	P_{min} [W]	$I_{1/1}$ [A]	$\cos \phi$
3 x 230 V	Speed 1	235	185	0.68	0.87
	Speed 2	270	205	0.78	0.87
	Speed 3	360	270	1.29	0.70
3 x 400-415 V	Speed 1	235	185	0.39	0.87
	Speed 2	270	205	0.45	0.87
	Speed 3	360	270	0.74	0.70

Series 200 is also available for 1 x 230-240 V.

Single-head pumps are available with bronze housing, type B.

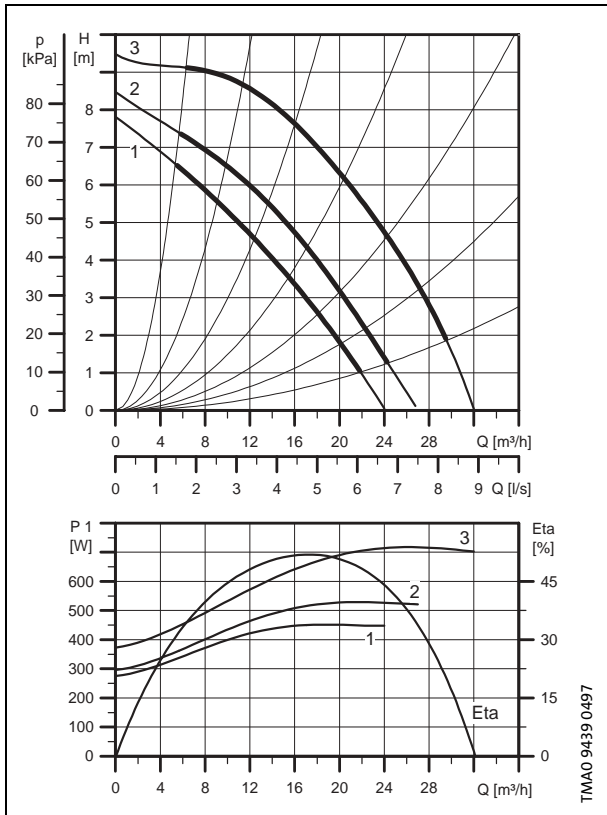


Dimensions and weights

Pump type	PN	Dimensions [mm]																			Weights [kg]*		Ship. Vol. [m³]			
		L1	L2	L3	B1	B2	B3	B4	B5	B6	B7	B8	B9	H1	H2	H3	H4	D1	D2	D3	D4	D5		M	Net	Gross
UPS 50-60/2 F	6/10	280	-	140	135	141	-	95	75	-	120	122	111	75	253	328	123	50	102	110/125	165	14/19	M12	21.8	23.4	0.034
UPSD 50-60/2 F	6/10	280	125	60	-	141	370	180	190	100	200	-	-	75	253	328	-	50	102	110/125	165	14/19	M12	41.2	44.1	0.058

*Weights of bronze versions are approx. 10% higher.

UPS 50-120 F, UPSD 50-120 F



Inlet pressure

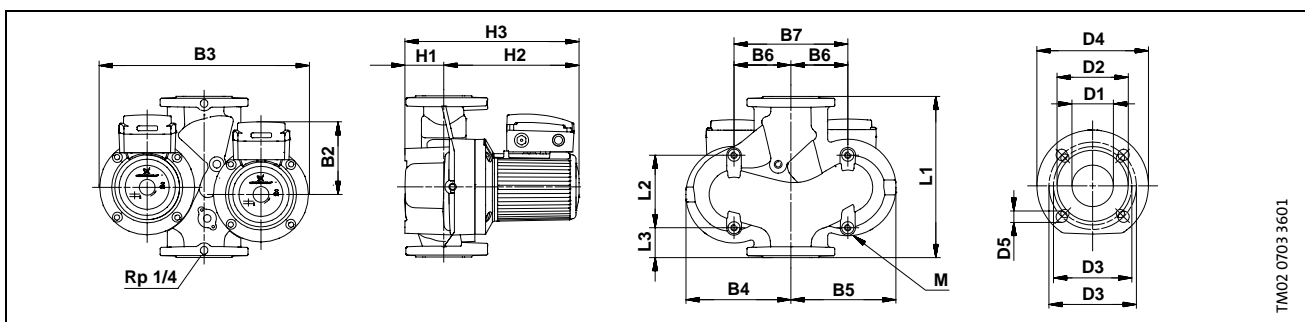
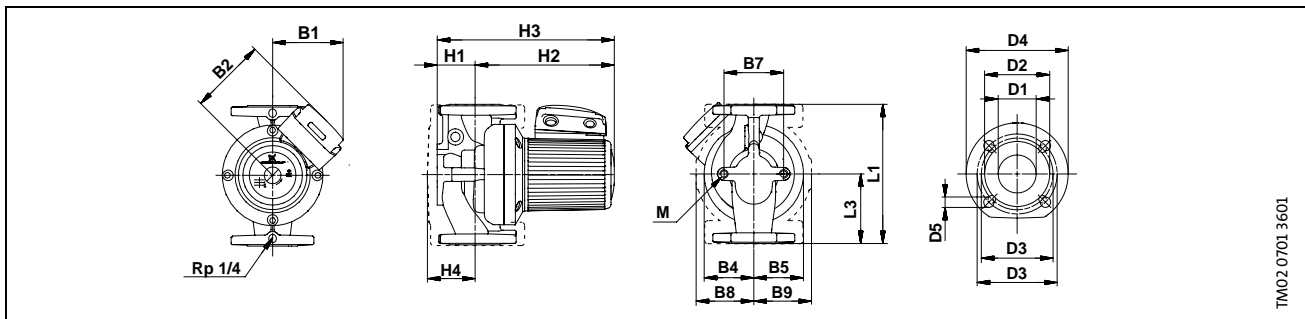
t_m [°C]	75	90	120
H_{min} [bar]	0.4	0.7	1.95

Electrical data

		P_{max} [W]	P_{min} [W]	$I_{1/1}$ [A]	$\cos \phi$
3 x 230 V	Speed 1	450	280	1.43	0.79
	Speed 2	530	300	1.63	0.81
	Speed 3	720	380	2.26	0.80
3 x 400-415 V	Speed 1	450	280	0.82	0.79
	Speed 2	530	300	0.94	0.81
	Speed 3	720	380	1.30	0.80

Series 200 is also available for 1 x 230-240 V.

Single-head pumps are available with bronze housing, type B.

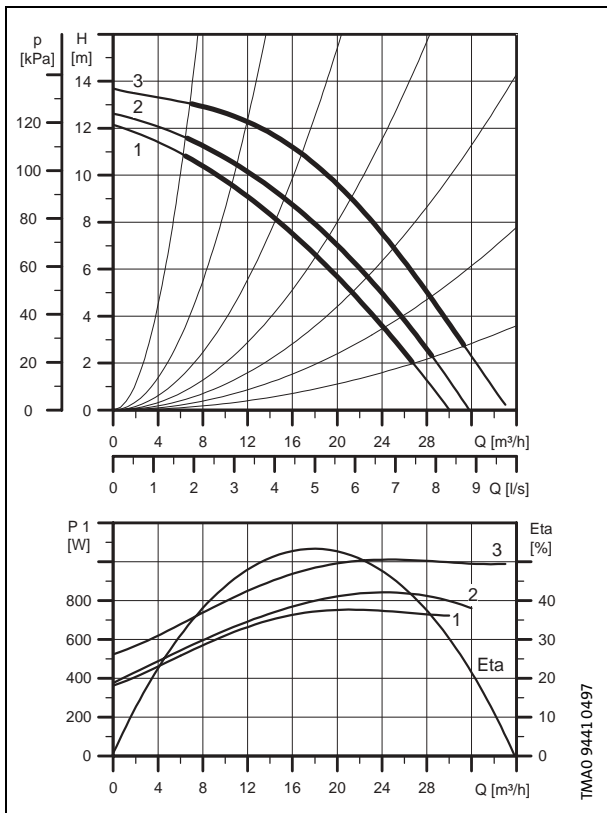


Dimensions and weights

Pump type	PN	Dimensions [mm]																				Weights [kg]*		Ship. Vol. [m³]		
		L1	L2	L3	B1	B2	B3	B4	B5	B6	B7	B8	B9	H1	H2	H3	H4	D1	D2	D3	D4	D5	M		Net	Gross
UPS 50-120 F	6/10	280	-	140	145	169	-	100	100	-	120	135	135	75	236	311	116	50	102	110/125	165	14/19	M12	25.6	27.1	0.043
UPSD 50-120 F	6/10	280	126	60	-	169	450	225	225	120	240	-	-	75	276	351	-	50	102	110/125	165	14/19	M12	51.3	54.4	0.058

* Weights of bronze versions are approx. 10% higher.

UPS 50-180 F, UPSD 50-180 F



Inlet pressure

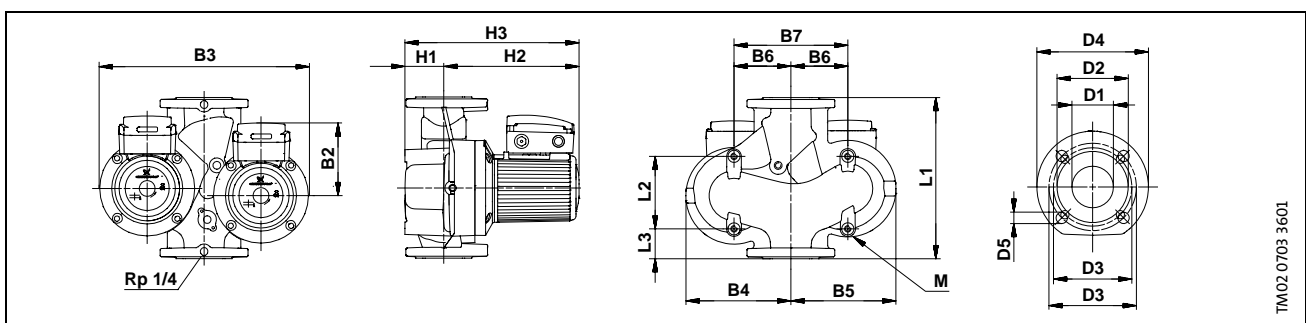
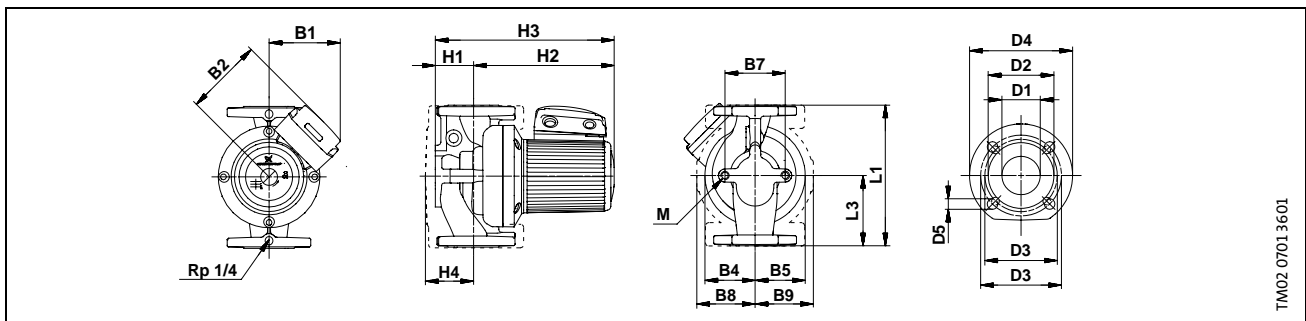
t_m [°C]	75	90	120
H_{min} [bar]	0.35	0.65	1.9

Electrical data

		P_{max} [W]	P_{min} [W]	$I_{1/1}$ [A]	$\cos \phi$
3 x 230 V	Speed 1	760	360	2.17	0.88
	Speed 2	850	380	2.43	0.88
	Speed 3	1000	520	3.48	0.72
3 x 400-415 V	Speed 1	760	360	1.25	0.88
	Speed 2	850	380	1.40	0.88
	Speed 3	1000	520	2.00	0.72

Series 200 is also available for 1 x 230-240 V.

Single-head pumps are available with bronze housing, type B.

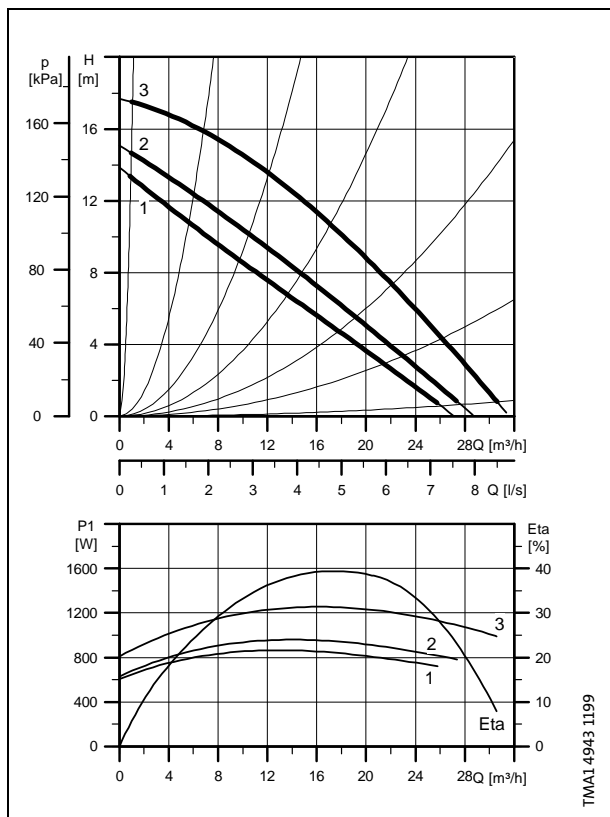


Dimensions and weights

Pump type	PN	Dimensions [mm]																				Weights [kg]*		Ship. vol. [m³]		
		L1	L2	L3	B1	B2	B3	B4	B5	B6	B7	B8	B9	H1	H2	H3	H4	D1	D2	D3	D4	D5	M		Net	Gross
UPS 50-180 F	6/10	280	-	140	145	169	-	100	100	-	120	135	135	75	276	351	116	50	102	110/125	165	14/19	M12	27.9	29.5	0.043
UPSD 50-180 F	6/10	280	126	60	-	169	450	225	225	120	240	-	-	75	276	351	-	50	102	110/125	165	14/19	M12	56.5	60.3	0.058

* Weights of bronze versions are approx. 10% higher.

UPS 50-185 F



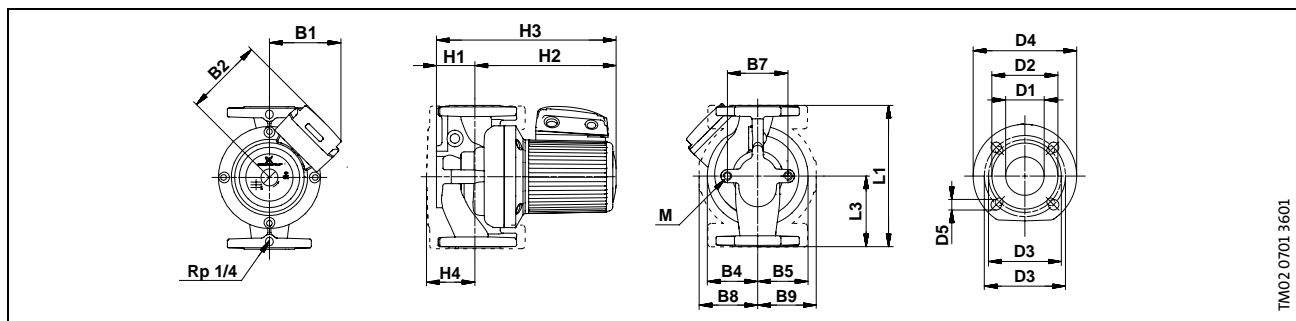
Inlet pressure

t_m [°C]	75	90	120
H_{min} [bar]	1.85	1.0	2.15

Electrical data

	P_{max} [W]	P_{min} [W]	$I_{1/1}$ [A]	$\cos \phi$	
3 x 400-415 V	Speed 1	870	625	1.44	0.87
	Speed 2	965	645	1.60	0.87
	Speed 3	1265	835	2.35	0.78

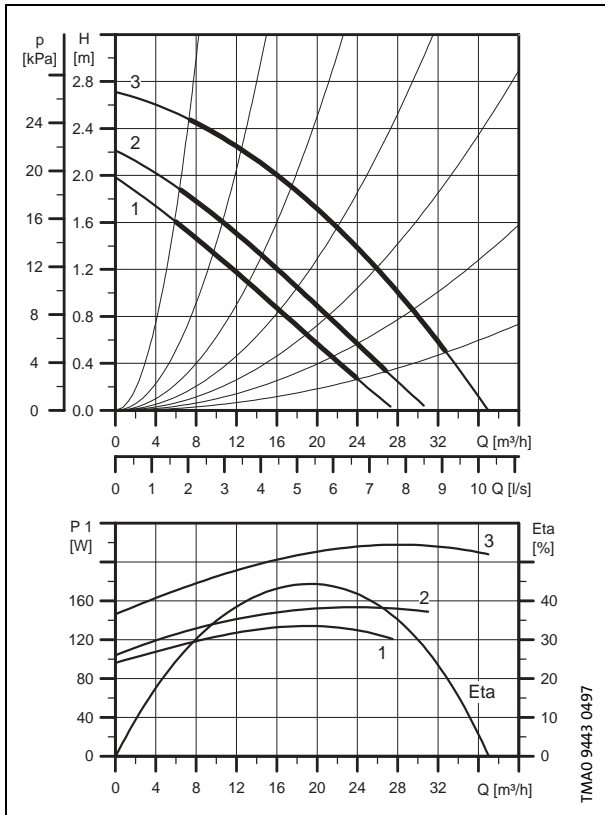
Series 200 is also available for 1 x 230-240 V.



Dimensions and weights

Pump type	PN	Dimensions [mm]																				Weights [kg]		Ship. vol. [m³]		
		L1	L2	L3	B1	B2	B3	B4	B5	B6	B7	B8	B9	H1	H2	H3	H4	D1	D2	D3	D4	D5	M		Net	Gross
UPS 50-185 F	6/10	280	-	140	145	155	-	91	104	-	96	-	-	75	274	349	-	50	102	110/125	165	14/19	M12	27.9	29.5	0.043

UPS 65-30 F, UPSD 65-30 F



Inlet pressure

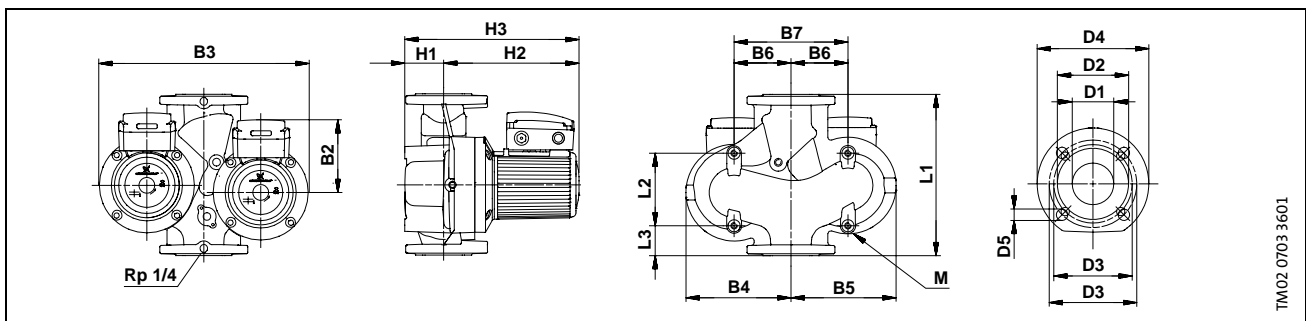
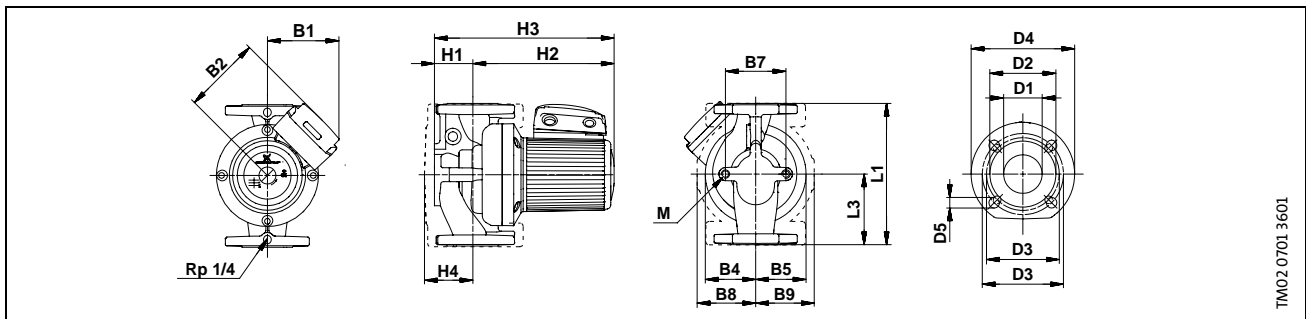
t_m [°C]	75	90	120
H_{min} [bar]	0.4	0.7	1.95

Electrical data

		P_{max} [W]	P_{min} [W]	$I_{1/1}$ [A]	$\cos \phi$
3 x 230 V	Speed 1	135	95	0.42	0.81
	Speed 2	155	105	0.49	0.80
	Speed 3	215	145	0.90	0.60
3 x 400-415 V	Speed 1	135	95	0.24	0.81
	Speed 2	155	105	0.28	0.80
	Speed 3	215	145	0.52	0.60

Series 200 is also available for 1 x 230-240 V.

Single-head pumps are available with bronze housing, type B.

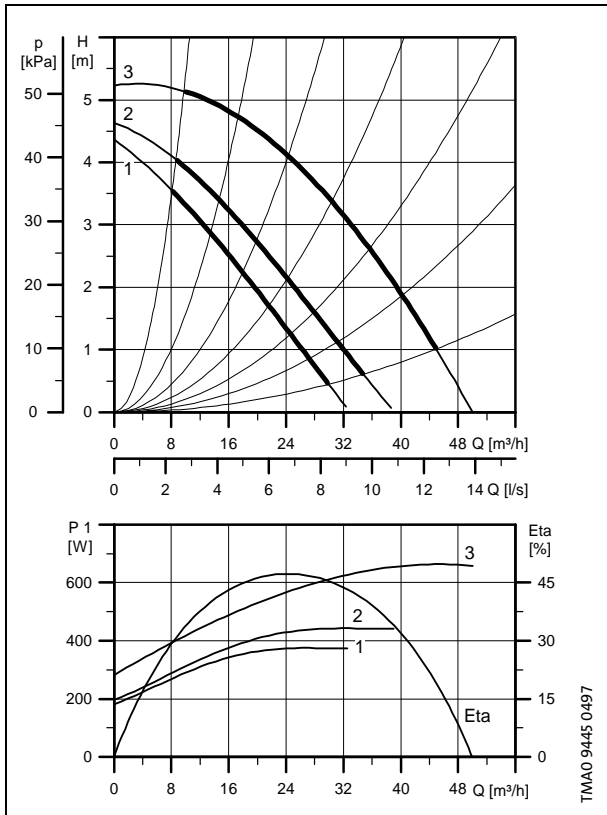


Dimensions and weights

Pump type	PN	Dimensions [mm]																				Weights [kg]*		Ship. vol. [m³]		
		L1	L2	L3	B1	B2	B3	B4	B5	B6	B7	B8	B9	H1	H2	H3	H4	D1	D2	D3	D4	D5	M		Net	Gross
UPS 65-30 F	6/10	340	-	170	145	169	-	125	100	-	120	156	140	97	243	340	145	65	122	130/145	185	14/19	M16	31.1	32.7	0.055
UPSD 65-30 F	6/10	340	153	63	-	169	470	230	240	120	240	-	-	97	243	340	-	65	122	130/145	185	14/19	M12	56.8	61.4	0.074

*Weights of bronze versions are approx. 10% higher.

UPS 65-60/4 F, UPSD 65-60/4 F



Inlet pressure

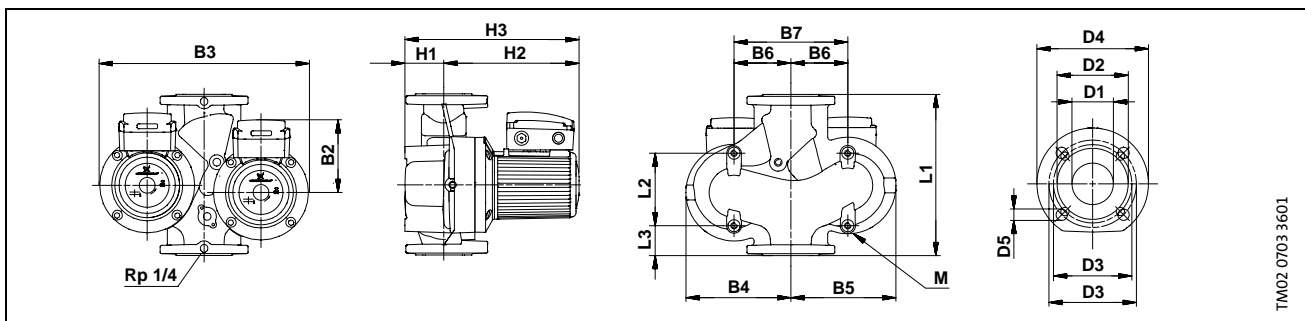
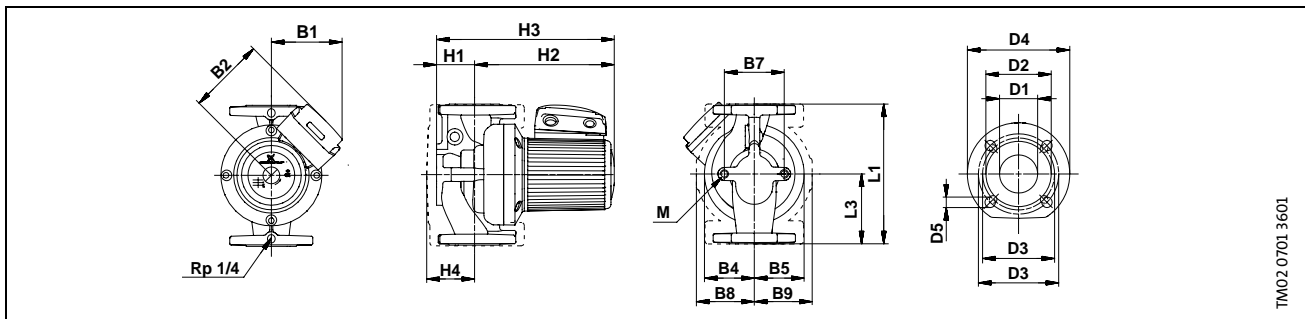
t_m [°C]	75	90	120
H_{min} [bar]	0.55	0.85	2.1

Electrical data

		P_{max} [W]	P_{min} [W]	$I_{1/1}$ [A]	$\cos \phi$
3 x 230 V	Speed 1	380	185	1.18	0.81
	Speed 2	440	200	1.39	0.79
	Speed 3	660	290	2.35	0.71
3 x 400-415 V	Speed 1	380	185	0.68	0.81
	Speed 2	440	200	0.80	0.79
	Speed 3	660	290	1.35	0.71

Series 200 is also available for 1 x 230-240 V.

Single-head pumps are available with bronze housing, type B.

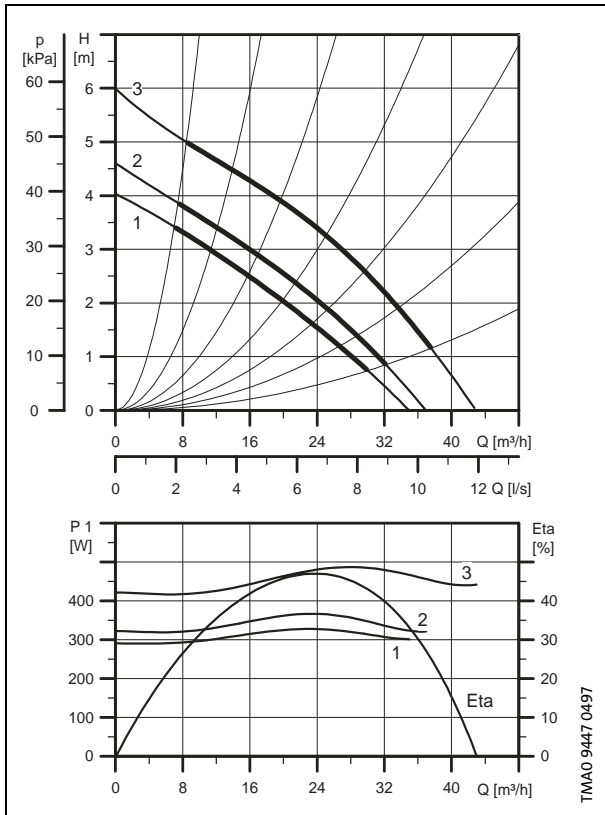


Dimensions and weights

Pump type	PN	Dimensions [mm]																				Weights [kg]*		Ship. vol. [m³]		
		L1	L2	L3	B1	B2	B3	B4	B5	B6	B7	B8	B9	H1	H2	H3	H4	D1	D2	D3	D4	D5	M		Net	Gross
UPS 65-60/4 F	6/10	340	-	170	145	169	-	125	100	-	160	156	140	97	288	385	145	65	122	130/145	185	14/19	M16	33.9	35.5	0.055
UPSD 65-60/4 F	6/10	340	153	63	-	169	470	230	240	120	240	-	-	97	288	385	-	65	122	130/145	185	14/19	M12	64.5	68.3	0.074

*Weights of bronze versions are approx. 10% higher.

UPS 65-60/2 F, UPSD 65-60/2 F



Inlet pressure

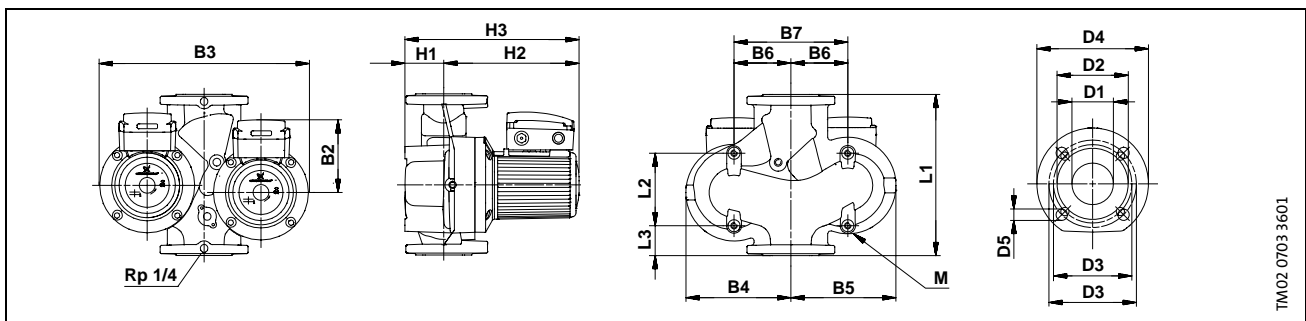
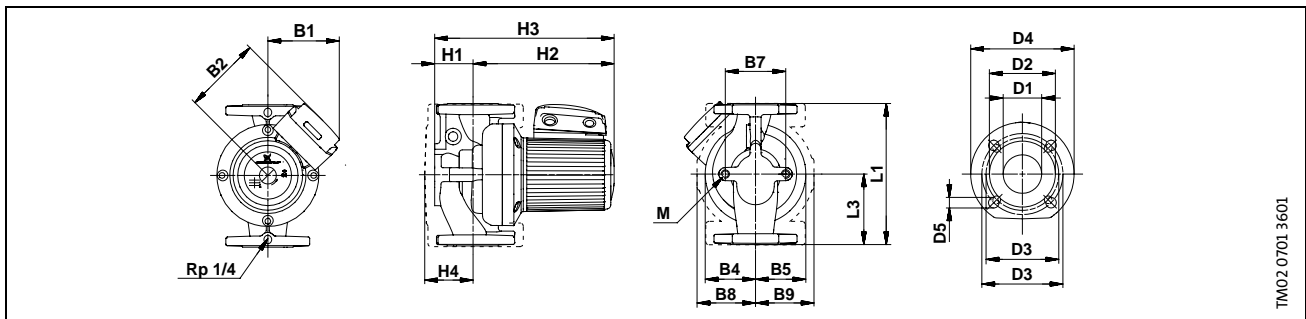
t_m [°C]	75	90	120
H_{min} [bar]	0.45	0.75	2.0

Electrical data

		P_{max} [W]	P_{min} [W]	$I_{1/1}$ [A]	$\cos \phi$
3 x 230 V	Speed 1	330	290	0.97	0.85
	Speed 2	370	320	1.11	0.83
	Speed 3	490	420	1.83	0.67
3 x 400-415 V	Speed 1	330	290	0.56	0.85
	Speed 2	370	320	0.64	0.83
	Speed 3	490	420	1.05	0.67

Series 200 is also available for 1 x 230-240 V.

Single-head pumps are available with bronze housing, type B.

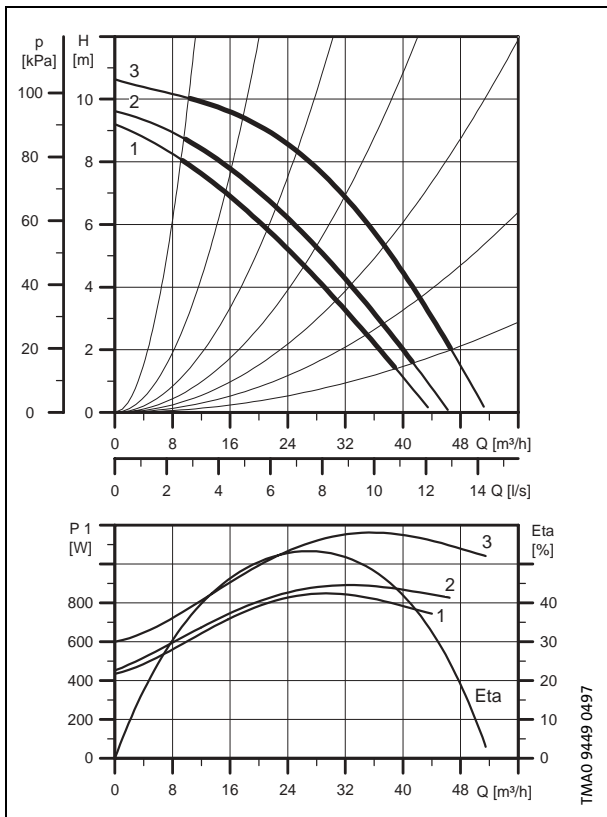


Dimensions and weights

Pump type	PN	Dimensions [mm]																				Weights [kg]*		Ship. vol. [m³]		
		L1	L2	L3	B1	B2	B3	B4	B5	B6	B7	B8	B9	H1	H2	H3	H4	D1	D2	D3	D4	D5	M		Net	Gross
UPS 65-60/2 F	6/10	340	-	170	135	141	-	95	75	-	120	126	126	82	262	344	128	65	122	130/145	185	14/19	M12	25.6	27.1	0.055
UPSD 65-60/2 F	6/10	340	153	63	-	141	405	195	210	120	240	-	-	82	262	344	-	65	122	130/145	185	14/19	M12	50.0	54.4	0.074

*Weights of bronze versions are approx. 10% higher.

UPS 65-120 F, UPSD 65-120 F



Inlet pressure

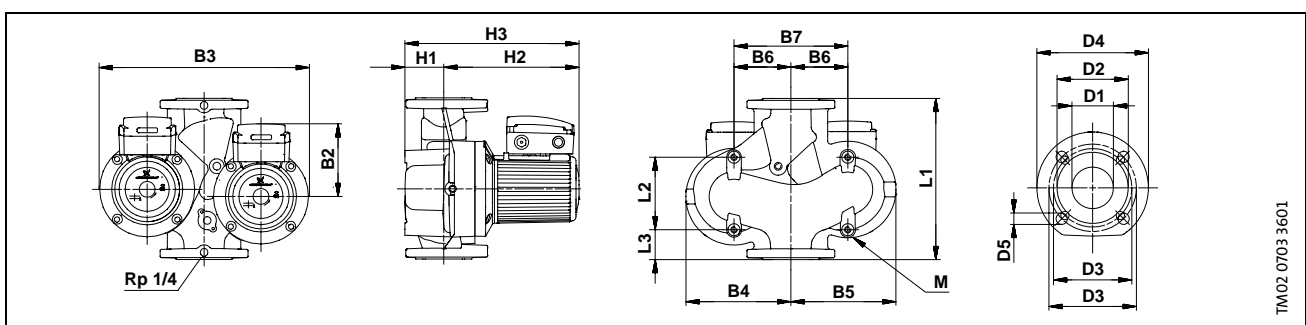
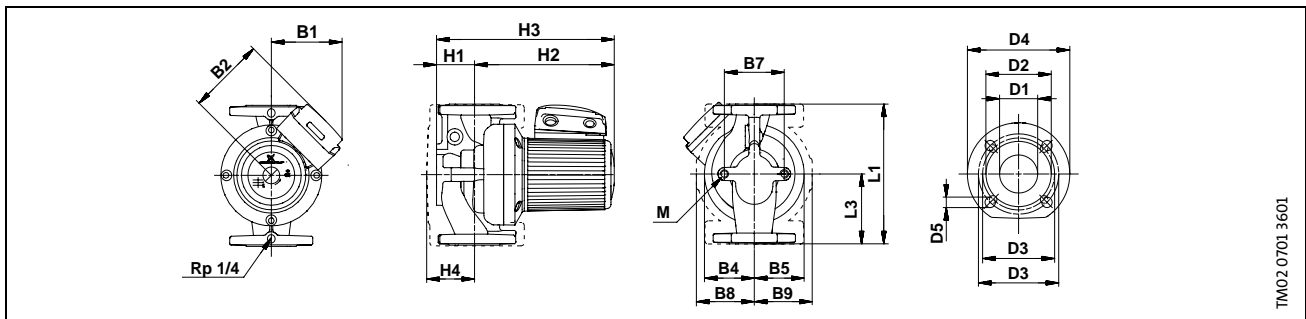
t_m [°C]	75	90	120
H_{min} [bar]	0.9	1.2	2.45

Electrical data

		P_{max} [W]	P_{min} [W]	$I_{1/1}$ [A]	$\cos \phi$
3 x 230 V	Speed 1	850	440	2.35	0.91
	Speed 2	900	460	2.52	0.90
	Speed 3	1150	600	3.74	0.77
3 x 400-415 V	Speed 1	850	440	1.35	0.91
	Speed 2	900	460	1.45	0.90
	Speed 3	1150	600	2.15	0.77

Series 200 is also available for 1 x 230-240 V.

Single-head pumps are available with bronze housing, type B.

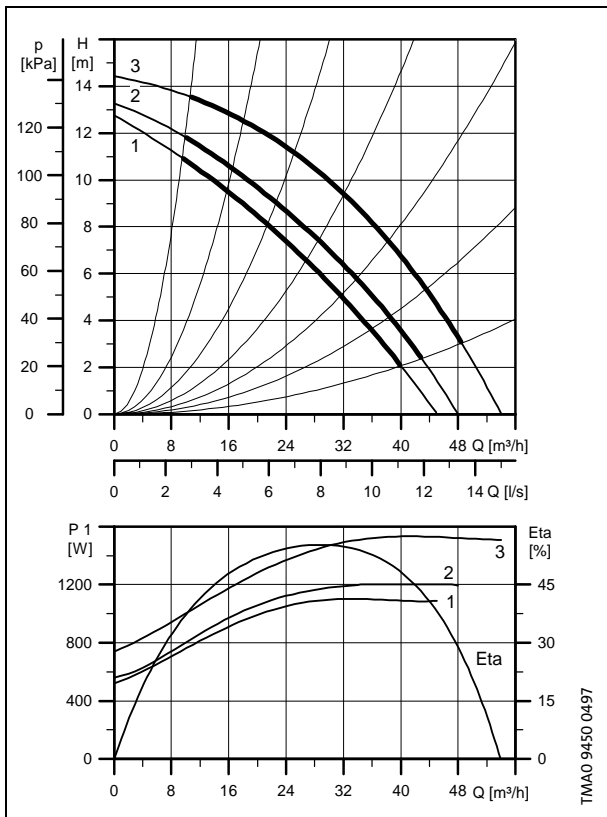


Dimensions and weights

Pump type	PN	Dimensions [mm]																				Weights [kg]*		Ship. vol. [m³]		
		L1	L2	L3	B1	B2	B3	B4	B5	B6	B7	B8	B9	H1	H2	H3	H4	D1	D2	D3	D4	D5	M		Net	Gross
UPS 65-120 F	6/10	340	-	170	145	169	-	100	100	-	120	140	140	82	290	372	127	65	122	130/145	185	14/19	M12	31.4	33.0	0.055
UPSD 65-120 F	6/10	340	153	63	-	169	450	225	225	120	240	-	-	82	286	368	-	65	122	130/145	185	14/19	M12	64.5	68.3	0.074

*Weights of bronze versions are approx. 10% higher.

UPS 65-180 F, UPSD 65-180 F



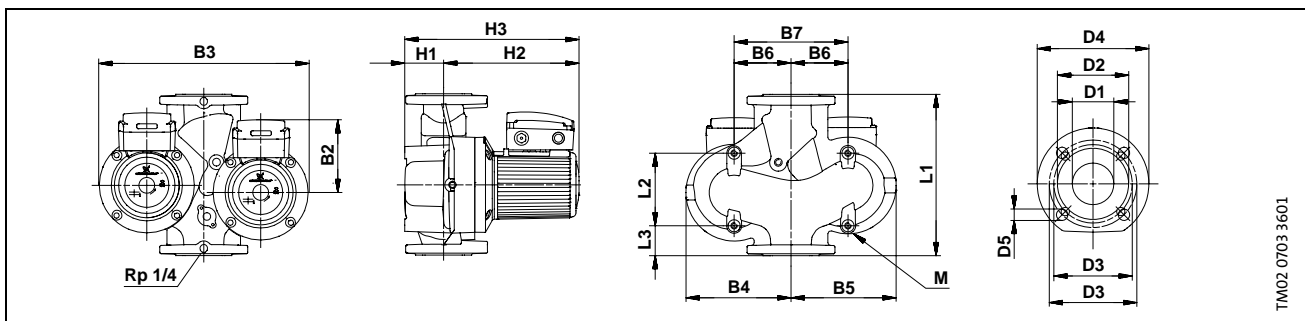
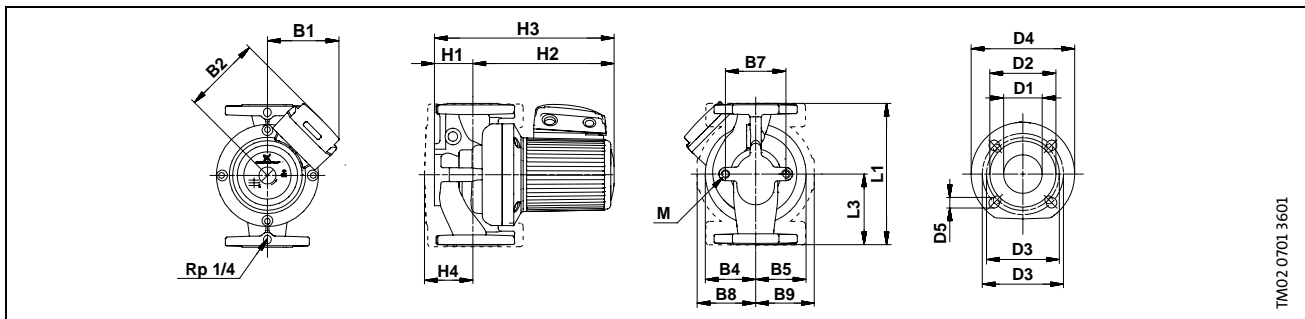
Inlet pressure

t_m [°C]	75	90	120
H_{min} [bar]	0.7	1.0	2.25

Electrical data

		P_{max} [W]	P_{min} [W]	$I_{1/1}$ [A]	$\cos \phi$
3 x 230 V	Speed 1	1100	520	3.22	0.86
	Speed 2	1200	560	3.48	0.87
	Speed 3	1550	740	5.04	0.77
3 x 400-415 V	Speed 1	1100	520	1.85	0.86
	Speed 2	1200	560	2.00	0.87
	Speed 3	1550	740	2.90	0.77

Single-head pumps are available with bronze housing, type B.

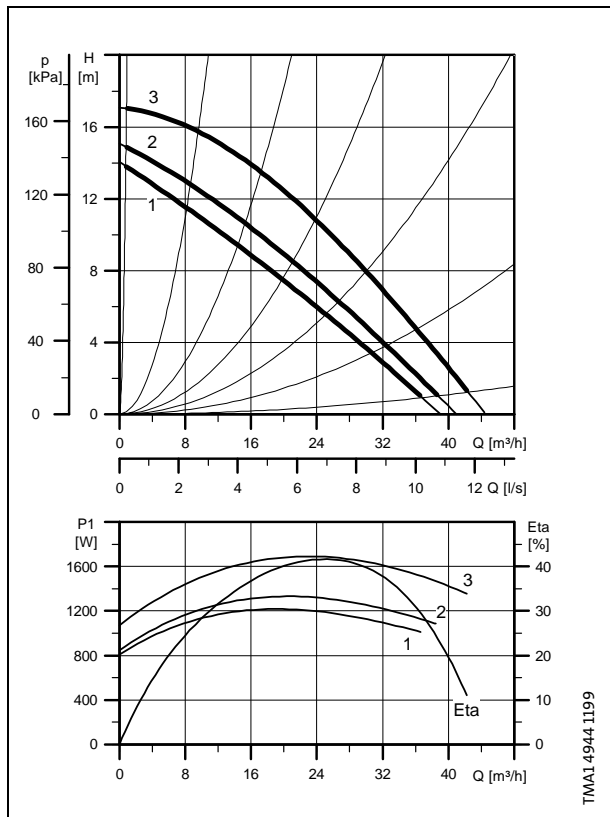


Dimensions and weights

Pump type	PN	Dimensions [mm]																				Weights [kg]*		Ship. vol. [m³]		
		L1	L2	L3	B1	B2	B3	B4	B5	B6	B7	B8	B9	H1	H2	H3	H4	D1	D2	D3	D4	D5	M		Net	Gross
UPS 65-180 F	6/10	340	-	170	145	169	-	100	100	-	120	140	140	82	285	367	127	65	122	130/145	185	14/19	M12	32.7	34.3	0.055
UPSD 65-180 F	6/10	340	153	63	-	169	450	225	225	120	240	-	-	82	298	380	-	65	122	130/145	185	14/19	M12	66.5	69.0	0.074

*Weights of bronze versions are approx. 10% higher.

UPS 65-185 F

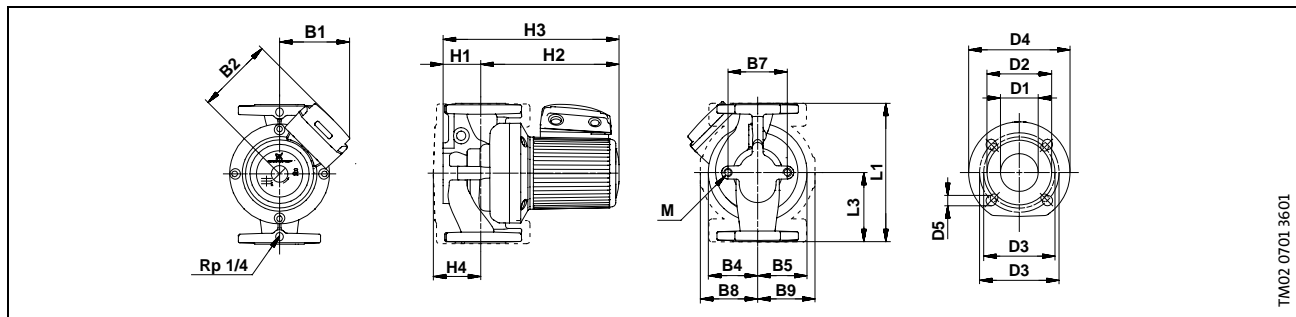


Inlet pressure

t_m [°C]	75	90	120
H_{min} [bar]	0.90	1.30	2.35

Electrical data

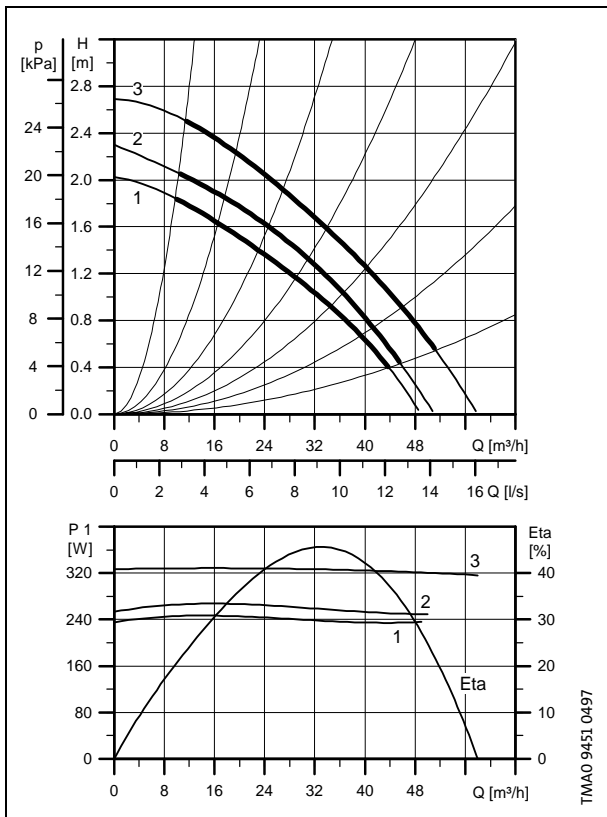
		P_{max} [W]	P_{min} [W]	$I_{1/1}$ [A]	$\cos \phi$
3 x 400-415 V	Speed 1	1220	825	2.00	0.88
	Speed 2	1340	860	2.20	0.88
	Speed 3	1710	1100	3.25	0.76



Dimensions and weights

Pump type	PN	Dimensions [mm]																				Weights [kg]		Ship. vol. [m³]		
		L1	L2	L3	B1	B2	B3	B4	B5	B6	B7	B8	B9	H1	H2	H3	H4	D1	D2	D3	D4	D5	M		Net	Gross
UPS 65-185 F	6/10	340	-	170	145	155	-	98	124	-	96	-	-	82	286	368	-	65	122	130/145	185	14/19	M12	32.7	34.3	0.055

UPS 80-30 F, UPSD 80-30 F



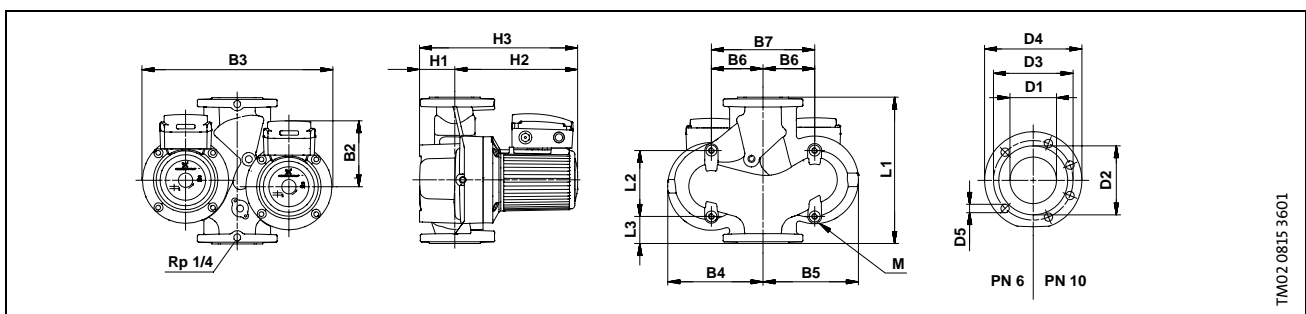
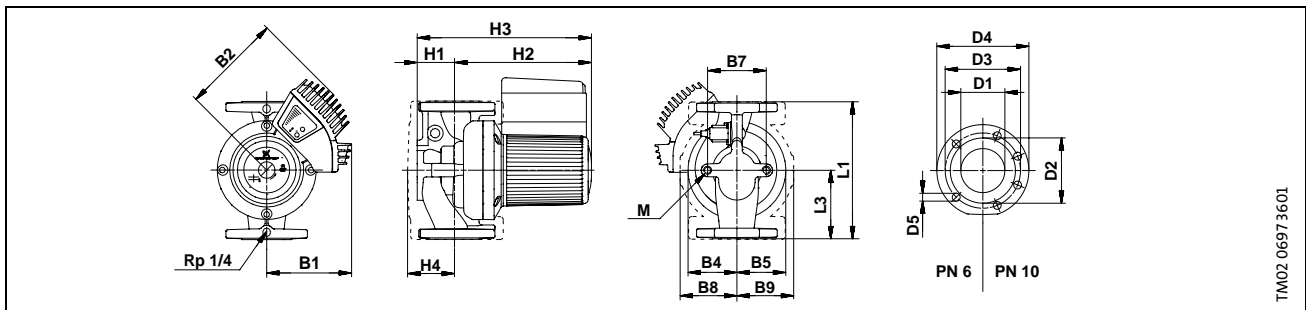
Inlet pressure

t_m [°C]	75	90	120
H_{min} [bar]	1.15	1.45	2.7

Electrical data

		P_{max} [W]	P_{min} [W]	$I_{1/1}$ [A]	$\cos \phi$
3 x 230 V	Speed 1	240	230	0.87	0.69
	Speed 2	260	250	1.01	0.65
	Speed 3	330	320	2.00	0.41
3 x 400-415 V	Speed 1	240	230	0.50	0.69
	Speed 2	260	250	0.58	0.65
	Speed 3	330	320	1.15	0.41

Single-head pumps are available with bronze housing, type B.

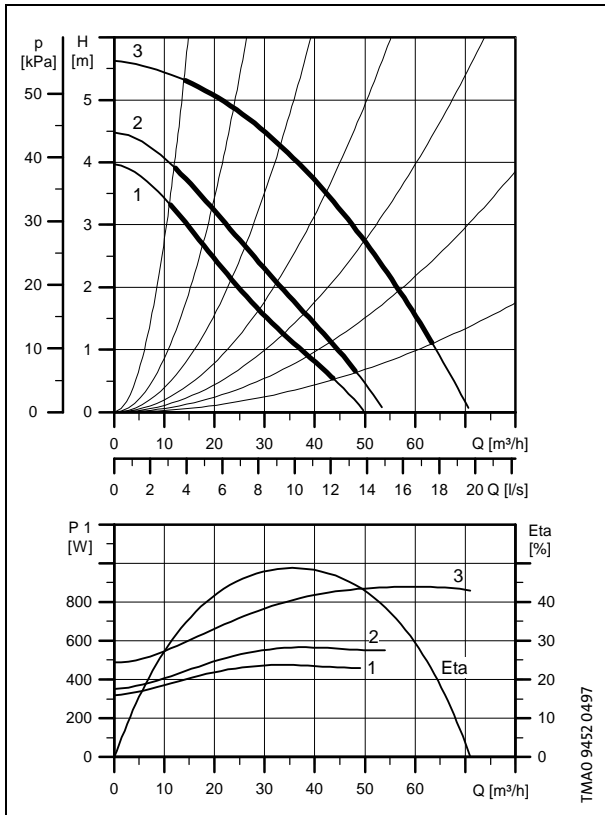


Dimensions and weights

Pump type	PN	Dimensions [mm]																	Weights [kg]*		Ship. vol. [m³]					
		L1	L2	L3	B1	B2	B3	B4	B5	B6	B7	B8	B9	H1	H2	H3	H4	D1	D2	D3		D4	D5	M	Net	Gross
UPS 80-30 F	6	360	-	180	145	169	-	130	100	-	160	168	145	107	316	423	160	80	138	150	200	4x19	M16	38.0	40.0	0.055
UPS 80-30 F	10	360	-	180	145	169	-	130	100	-	160	168	145	107	316	423	160	80	138	160	200	8x19	M16	38.0	40.0	0.055
UPSD 80-30 F	6	360	173	53	-	169	470	230	240	120	240	-	-	107	316	423	-	80	138	150	200	4x19	M12	73.5	77.5	0.095
UPSD 80-30 F	10	360	173	53	-	169	470	230	240	120	240	-	-	107	316	423	-	80	138	160	200	8x19	M12	73.5	77.5	0.095

* Weights of bronze versions are approx 10% higher.

UPS 80-60 F, UPSD 80-60 F



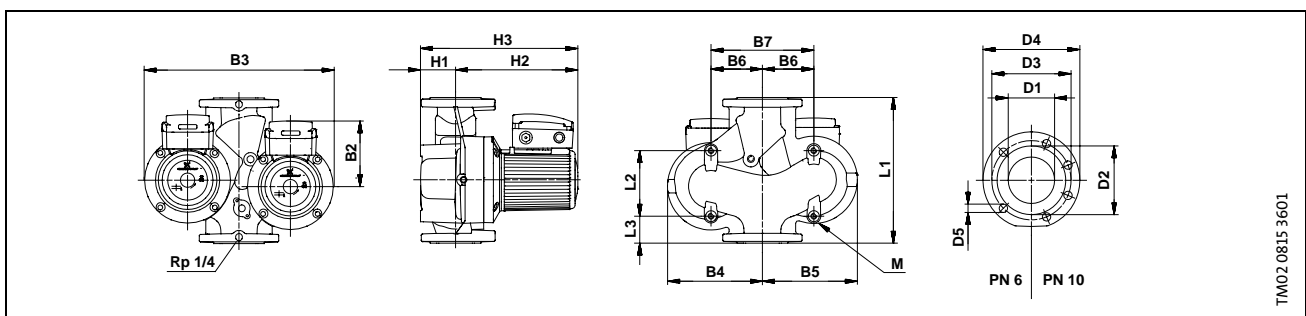
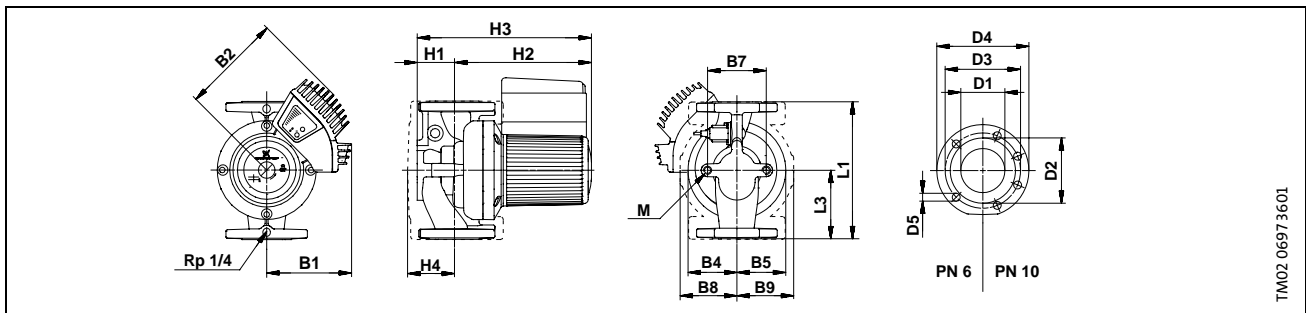
Inlet pressure

t_m [°C]	75	90	120
H_{min} [bar]	1.2	1.5	2.75

Electrical data

		P_{max} [W]	P_{min} [W]	$I_{1/1}$ [A]	$\cos \phi$
3 x 230 V	Speed 1	470	320	1.46	0.81
	Speed 2	570	350	1.74	0.82
	Speed 3	880	490	3.13	0.71
3 x 400-415 V	Speed 1	470	320	0.84	0.81
	Speed 2	570	350	1.00	0.82
	Speed 3	880	490	1.80	0.71

Single-head pumps are available with bronze housing, type B.

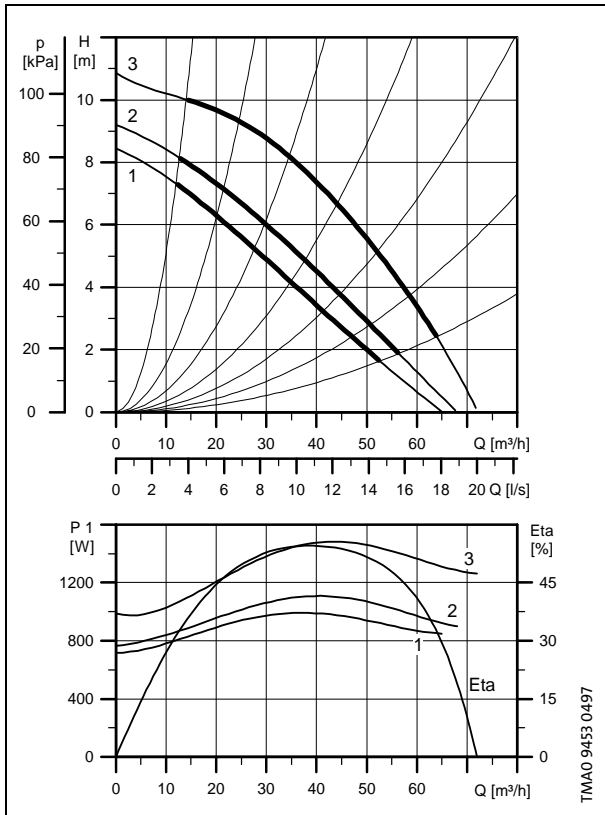


Dimensions and weights

Pump type	PN	Dimensions [mm]																	Weights [kg]*		Ship. vol. [m³]					
		L1	L2	L3	B1	B2	B3	B4	B5	B6	B7	B8	B9	H1	H2	H3	H4	D1	D2	D3		D4	D5	M	Net	Gross
UPS 80-60 F	6	360	-	180	145	169	-	135	100	-	160	165	145	107	294	401	160	80	138	150	200	4x19	M16	37.0	39.0	0.055
UPS 80-60 F	10	360	-	180	145	169	-	135	100	-	160	165	145	107	294	401	160	80	138	160	200	8x19	M16	37.0	39.0	0.055
UPSD 80-60 F	6	360	173	53	-	169	490	240	250	120	240	-	-	107	294	401	-	80	138	150	200	4x19	M12	73.0	77.0	0.095
UPSD 80-60 F	10	360	173	53	-	169	490	240	250	120	240	-	-	107	294	401	-	80	138	160	200	8x19	M12	73.0	77.0	0.095

* Weights of bronze versions are approx. 10% higher.

UPS 80-120 F, UPSD 80-120 F



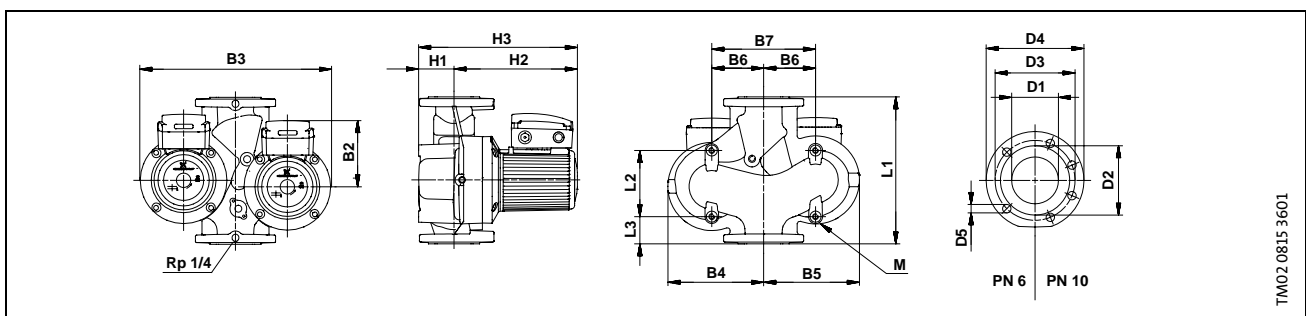
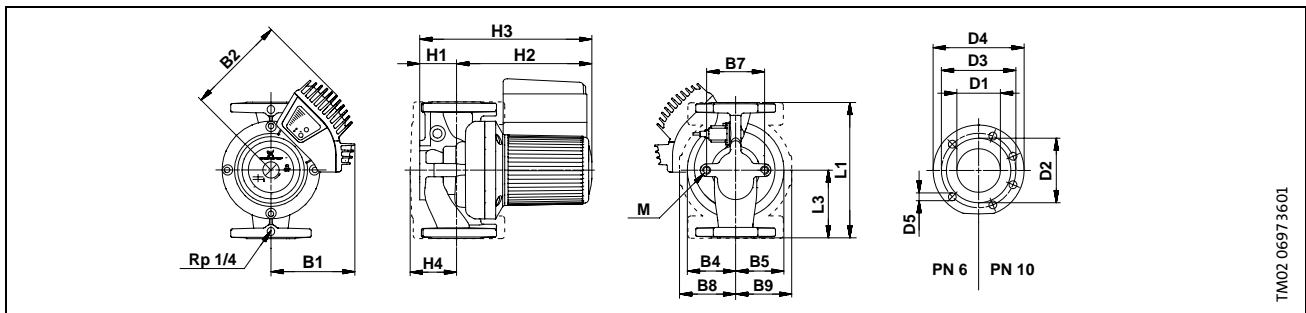
Inlet pressure

t_m [°C]	75	90	120
H_{min} [bar]	1.6	1.9	3.15

Electrical data

		P_{max} [W]	P_{min} [W]	$I_{1/1}$ [A]	$\cos \phi$
3 x 230 V	Speed 1	1000	710	2.87	0.87
	Speed 2	1100	760	3.13	0.88
	Speed 3	1500	960	4.78	0.79
3 x 400-415 V	Speed 1	1000	710	1.65	0.87
	Speed 2	1100	760	1.80	0.88
	Speed 3	1500	960	2.75	0.79

Single-head pumps are available with bronze housing, type B.

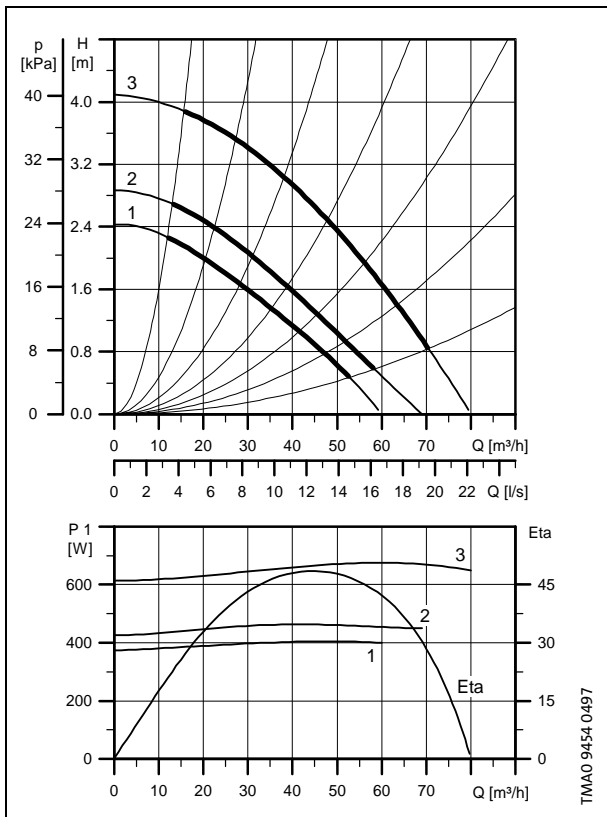


Dimensions and weights

Pump type	PN	Dimensions [mm]																	Weights [kg]*		Ship. vol. [m³]					
		L1	L2	L3	B1	B2	B3	B4	B5	B6	B7	B8	B9	H1	H2	H3	H4	D1	D2	D3		D4	D5	M	Net	Gross
UPS 80-120 F	6	360	-	180	145	169	-	125	100	-	160	165	145	97	294	391	160	80	138	150	200	4x19	M16	39.0	41.0	0.055
UPS 80-120 F	10	360	-	180	145	169	-	125	100	-	160	165	145	97	294	391	160	80	138	160	200	8x19	M16	39.0	41.0	0.055
UPSD 80-120 F	6	360	173	53	-	169	460	225	235	120	240	-	-	97	294	391	-	80	138	150	200	4x19	M12	72.5	76.5	0.095
UPSD 80-120 F	10	360	173	53	-	169	460	225	235	120	240	-	-	97	294	391	-	80	138	160	200	8x19	M12	72.5	76.5	0.095

* Weights of bronze versions are approx. 10% higher.

UPS 100-30 F, UPSD 100-30 F



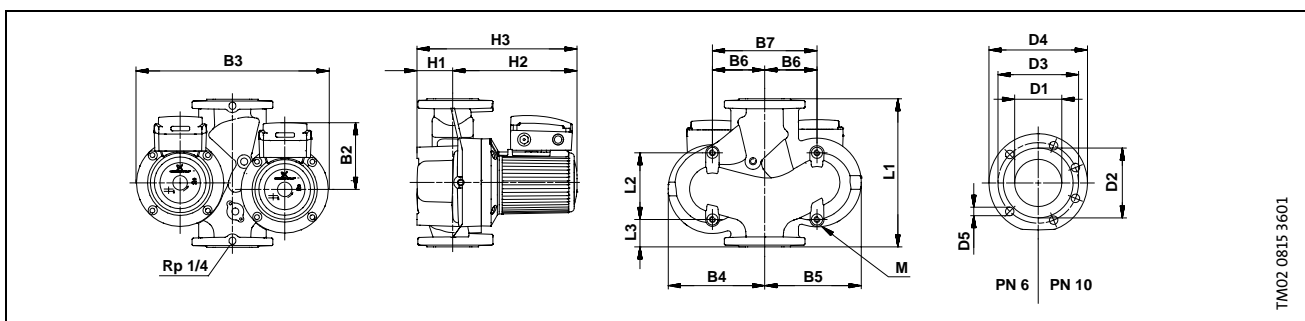
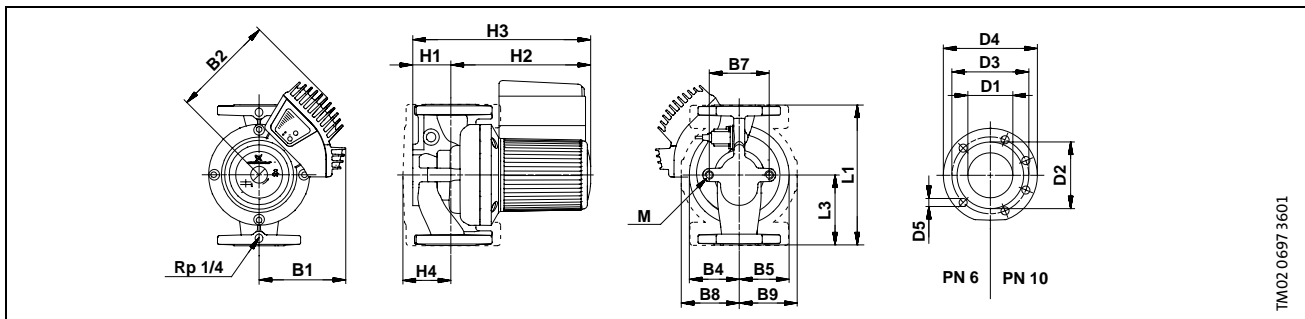
Inlet pressure

t_m [°C]	75	90	120
H_{min} [bar]	1.05	1.35	2.6

Electrical data

		P_{max} [W]	P_{min} [W]	$I_{1/1}$ [A]	$\cos \phi$
3 x 230 V	Speed 1	410	380	1.25	0.82
	Speed 2	460	430	1.46	0.79
	Speed 3	670	610	2.70	0.62
3 x 400-415 V	Speed 1	410	380	0.72	0.82
	Speed 2	460	430	0.84	0.79
	Speed 3	670	610	1.55	0.62

Single-head pumps are available with bronze housing, type B.



Dimensions and weights

Pump type	PN	Dimensions [mm]																			Weights [kg]*		Ship. vol. [m³]			
		L1	L2	L3	B1	B2	B3	B4	B5	B6	B7	B8	B9	H1	H2	H3	H4	D1	D2	D3	D4	D5		M	Net	Gross
UPS 100-30 F	6	450	-	225	145	169	-	174	120	-	200	226	174	122	316	438	186	100	158	170	220	4x19	M16	48.0	51.0	0.087
UPS 100-30 F	10	450	-	225	145	169	-	174	120	-	200	226	174	122	316	438	186	100	158	180	220	8x19	M16	48.0	51.0	0.087
UPSD 100-30 F	6	450	221	83	-	169	595	280	315	140	280	-	-	122	316	438	-	100	158	170	220	4x19	M16	96.0	100.0	0.095
UPSD 100-30 F	10	450	221	83	-	169	595	280	315	140	280	-	-	122	316	438	-	100	158	180	220	8x19	M16	96.0	100.0	0.095

* Weights of bronze versions are approx. 10% higher.

GRUNDFOS PUMPS LTD

South: Grovebury Road, Leighton Buzzard, Beds LU7 4TL

Sales

Tel: 01525 850000

Fax: 01525 850011

Spares:

Tel: 01525 775401

Fax: 01525 370625

North: Gawsworth Court, Risley Road, Risley
Warrington, Cheshire WA3 6NJ

Sales

Tel: 01925 813300

Fax: 01925 830014

Service (Repairs):

Tel: 01925 838527

Fax: 01925 811658

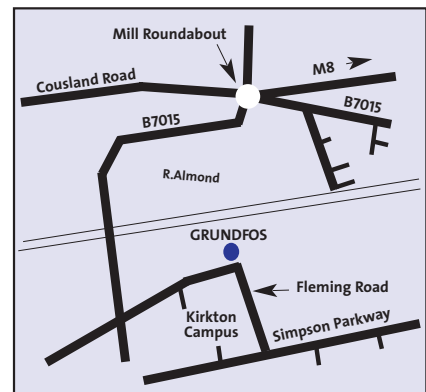
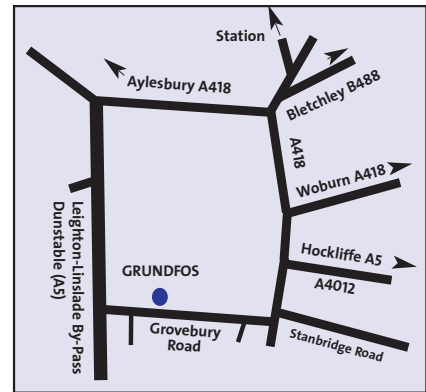
Scotland

N.Ireland : Fleming Road, Kirkton Campus, Livingston
West Lothian, Scotland EH54 7BN

Sales & Service

Tel: 01506 461666

Fax: 01506 461555



PB/UPS200/08/01

e-mail: uk-sales@grundfos.com

www.grundfos.com

It is the continuing policy of Grundfos to develop and improve our products and we reserve the right to amend prices and specifications without prior notice.

BE > THINK > INNOVATE >

GRUNDFOS® 

For latest prices and delivery to your door visit MyTub Ltd - www.mytub.co.uk - info@mytub.co.uk 0844 556 1818 