

# geo6 offset quadrant

consists of two fixed and two curved sliding panels  
6mm glass



Geo6 offset quadrant

**to specify/order:**

Please use the eight character reference shown below.

**offset quadrant**

1200 x 900mm, LH or RH

**G68004CP**

1200 x 800mm, LH or RH

**G68003CP**

1000 x 800mm, LH or RH

**G66003CP**

(Above supplied with standard wall profiles that give 25mm adjustment)

**trays**

Co-ordinating Twyford Trays available.

**extension profile**

Extension profile for extra 30mm adjustment

**G60600CP**

**applications**

Commercial, Domestic, Hotels and Leisure.

**material**

Aluminium frame, 6mm toughened safety glass.

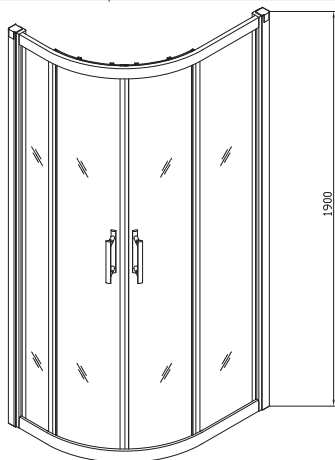
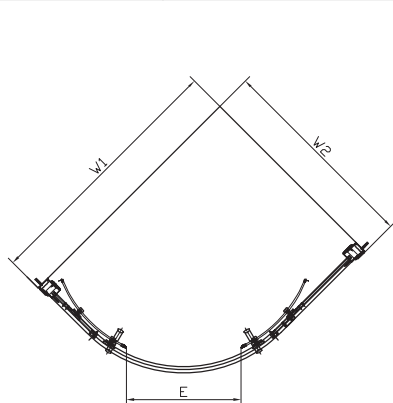
**finish/colour**

Polished silver frame, clear glass.

**fixings**

All fixings and instructions included. Can be reversed to be installed in either left or right hand corner.

Product Number	Description	W1 - Width (1) mm	W2 - Width (2) mm	E - Entry Width mm	Radius	Adjustment mm
G66003CP	Offset Quad 1000 x 800mm	1000	800	495	550	25
G68003CP	Offset Quad 1200 x 800mm	1200	800	455	550	25
G68004CP	Offset Quad 1200 x 900mm	1200	900	515	550	25



all measurements shown are in millimetres. drawing sizes are not to scale.

Lawton Road, Alsager, Stoke-on-Trent ST7 2DF, UK  
 Tel: +44(0) 1270 879777 Fax: +44(0) 1270 873864  
 www.twyfordbathrooms.com UK Technical Helpline Tel: 0870 840 0437 Fax: 0870 840 0438

