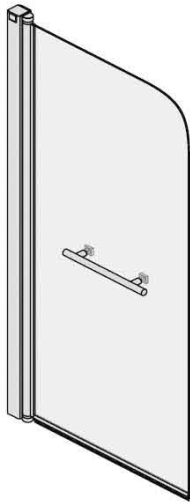


GEO-6

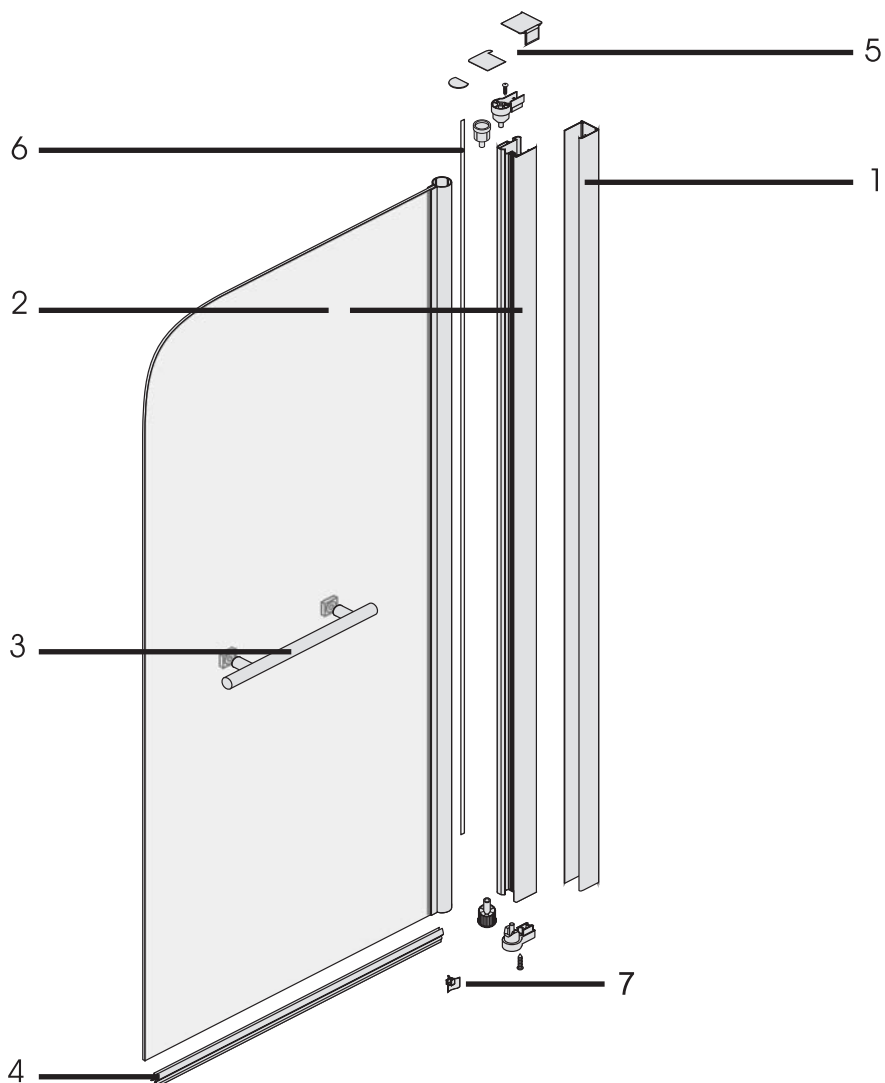


Radius Pivot
Bath Screen

Twyford
bathrooms

IMPORTANT

Please read carefully the following instructions before installing your shower screen to ensure safe and proper use and avoid any injury to either the installer or user. Failure to comply may invalidate your guarantee.

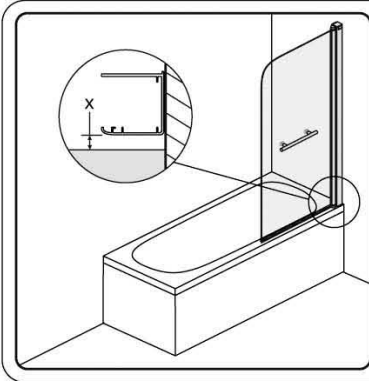


Radius Pivot Bath Screen Components list		
No	Description	Qty
1	Wall profile	1
2	Glazed panel and hinge	1
3	Towel rail	1
4	Bottom Edge Deflector	1
5	3 piece cover caps	1
6	Screw cover strip	1
7	Bottom corner gasket	1

Fixings Pack	
Description	Qty
Pan hd self tapping screw 10mm lng	4
Pan hd self tapping screw 30mm lng	4
Plastic wall plugs	4
Drill bit dia 3.2mm	1

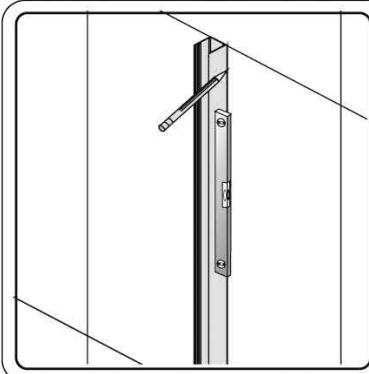
prior to installation:

Before Installing the shower screen, Install the bath as per the manufacturers instructions making sure that it is level in all directions.



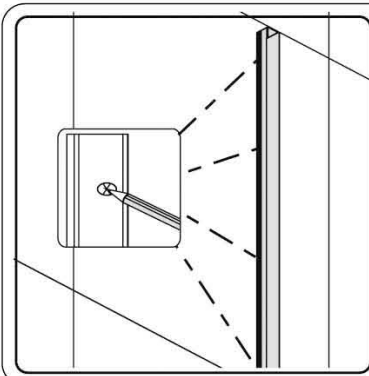
step 1.

Position the wall profile in from the edge of the bath to allow the screen to sit on the flattest part of the bath rim.



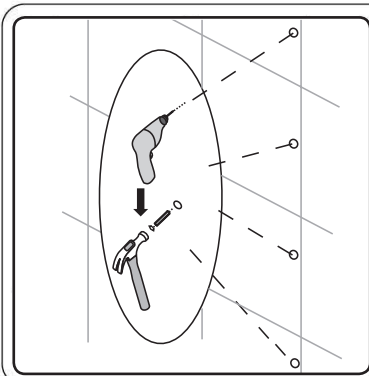
step 2.

Make sure wall profile is upright using a spirit level.



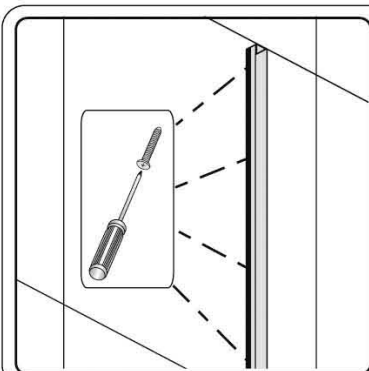
step 3.

Mark the position on the wall through the pre drilled holes with your pencil. Carefully move the wall profile away from the wall and put somewhere safely to avoid damage when you start drilling.



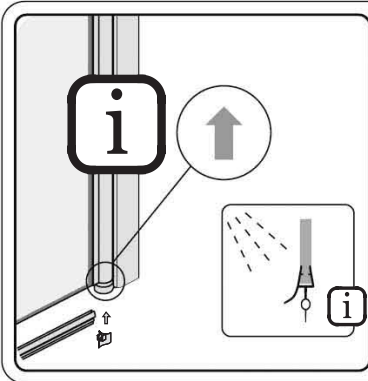
step 4.

Drill holes where marked using the 6mm masonry drill bit. (You may need a specialized drill bit if you are drilling into tiles, if unsure please get advice). You can now install the wall plugs that have been provided.



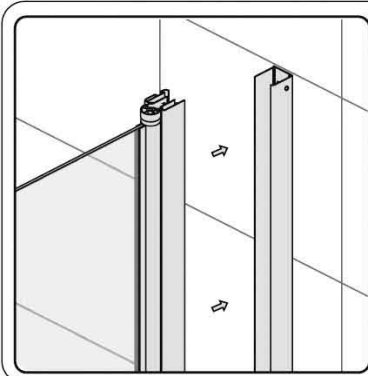
step 5.

Screw the wall profile to the wall, using the 30mm long screws, making sure you keep the profile vertical.



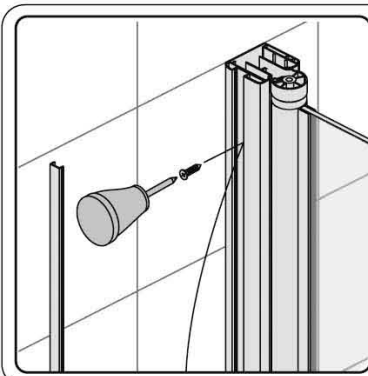
step 6.

Attach bottom corner gasket to the glass. Install the lower door edge seal ensuring the drip bar faces the inside the bath.



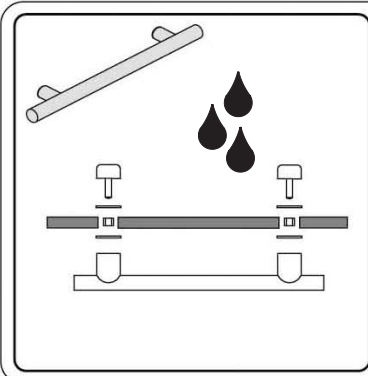
step 7.

Position the screen into the wall profile, shown. Ensure the lower door edge seal rests on the bath edge along the entire length of the screen.



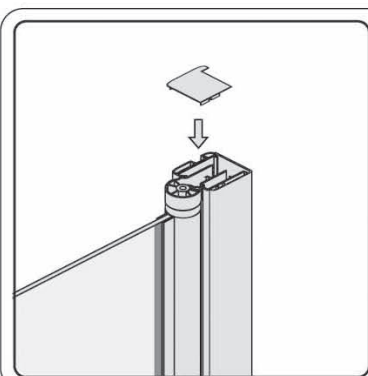
step 8.

On the inner face, drill through the pre-drilled holes in the shower profile into the wall profile using a 3.2mm diameter drill. Secure together using the 10mm screws provided. Once tight install the screw cover strip.



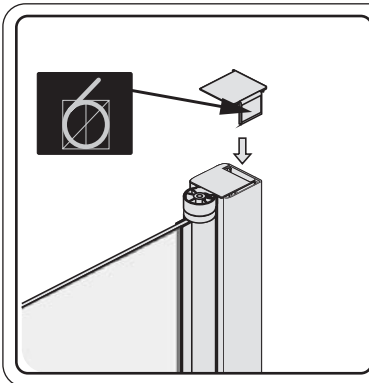
step 9.

Install the Towel Rail, as shown, onto the external face of the panel.



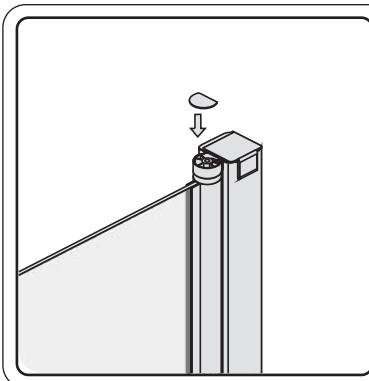
step 10.

Fit the profile cover cap as shown.



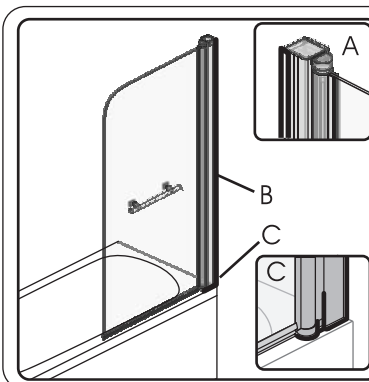
step 11.

Fit the profile cover cap as shown. Then apply the badge as indicated.



step 12.

Finally, fit the hinge profile cover cap, as shown.



step 13.

Using good quality clear silicon sealant seal the following edges:

- A: Inside vertical wall-to-frame joint
- B: Outside vertical wall-to-frame joint
- C: Outside horizontal bath-to-frame joint

Do not seal the inside horizontal bath-to-frame joint



CARE INSTRUCTIONS

Shower enclosures should be cleaned after every use. To prevent limescale from building up, use a squeegee, a soft cloth or chamois leather - but no cleaning agent - to wipe off any water droplets left after showering. Residue left by bodycare products (liquid soap, shampoo, shower gel) can also cause substances to accumulate. Use water to rinse away residues after use. All sliding door track fittings should also be cleaned this way - to ensure that they continue to run smoothly.

- **Don't allow limescale to build up – especially in hard water areas.**
- **If you do get a stubborn limescale build up, a mixture of 1: 1 vinegar and water will help you to clean it away – but make sure all vinegar is rinsed off completely.**
- **Never use strong detergents or cleaning agents.**
- **Cleaning materials should wherever possible be rated between PH4 and PH8.**
- **In no circumstances should you use any abrasive substances.**

Registered office: Lawton Road, Alsager, Stoke-on-Trent, ST7 2DF, UK
T: +44(0) 1270 879777 F: +44(0) 1270 870087
E: shower.team@twyfordbathrooms.com
www.twyfordbathrooms.com

Part of the Sanitec Group

TW G6 003 6-1 JUL2010 FI 24246