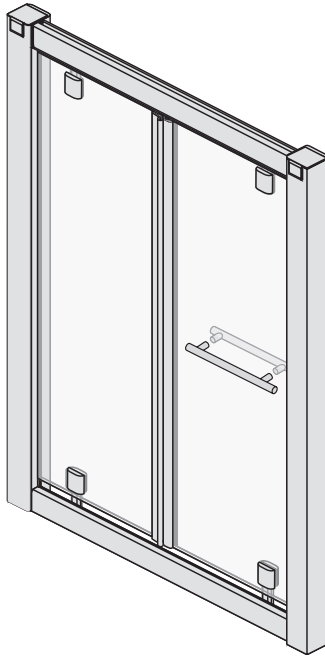


Geo-6

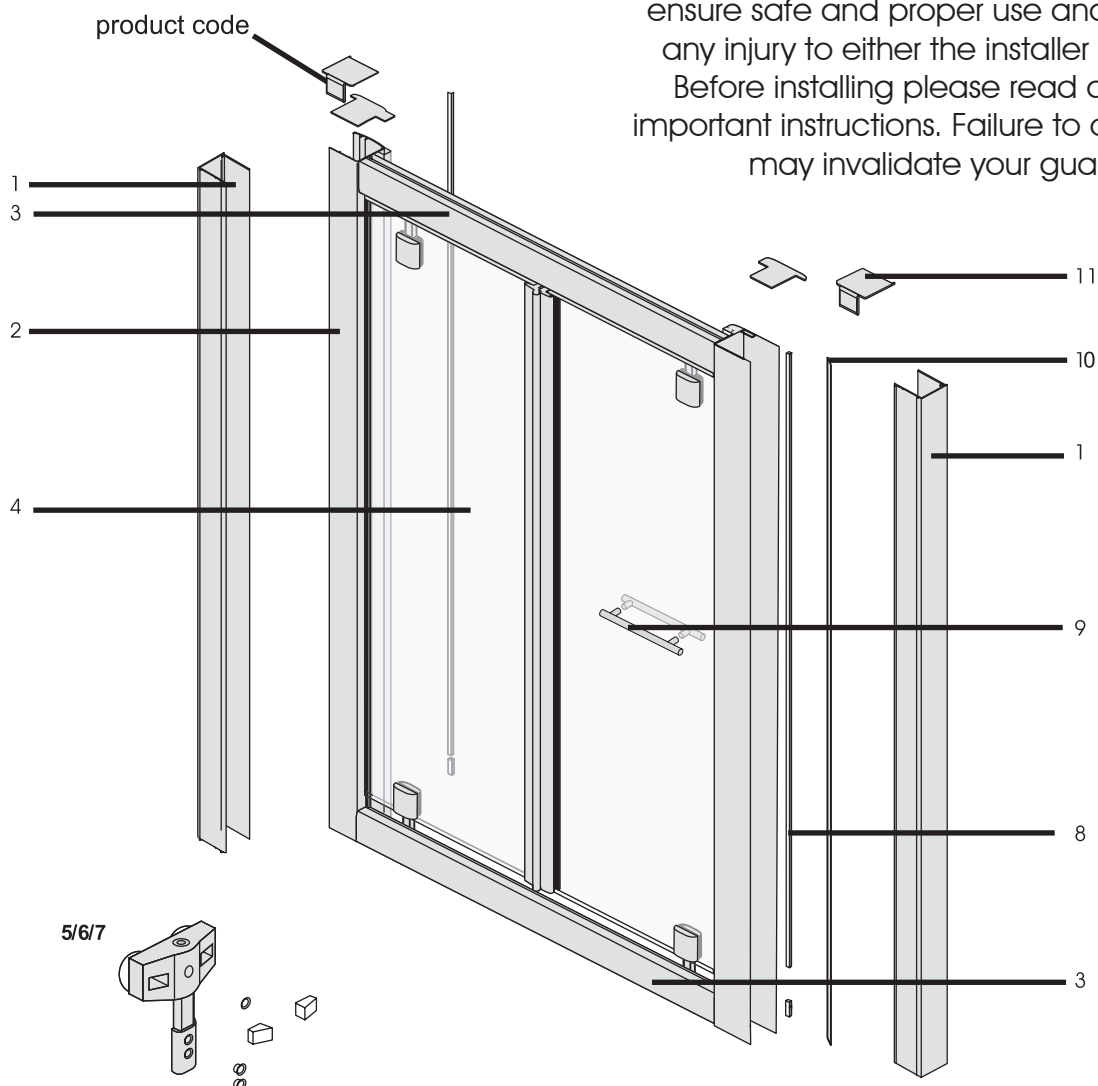


**Bi-Fold Door**  
with or without  
Side Panel

**Twyford**  
bathrooms

## IMPORTANT

Please read carefully the following instructions before installing your shower enclosure to ensure safe and proper use and avoid any injury to either the installer or user. Before installing please read also the important instructions. Failure to comply may invalidate your guarantee.



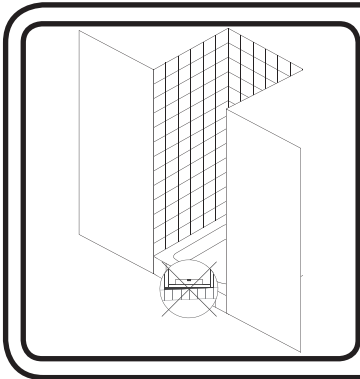
Bi-Fold Door Components list		
Part No:	Description	Qty
1	Wall Vertical profile	2
2	Inner Vertical profile	2
3	Top and Bottom rail	2
4	Two part hinged glass door	1
	Hinge pin block	
6	Hinge block	2
7	Roller Hinge assembly	2
8	Magnetic Door Seal	2
9	Handle	1
10	Screw cover strip	2
11	2 piece cover caps	2

Fixings Pack		
Description		Qty
Allen Key		2
Pan hd self-tapping screw 10mm lng		8
Pan hd self-tapping screw 30mm lng		16
Hinge block screws 20mm lng		4
Plastic wall plugs		8
Drill bit dia 3.2mm		1
Chrome hinge screw cover caps		4
Hinge screw cover caps		4
Roller hinge block ctr screw cvr cap		2
Hinge block csk Hex drive bolts		4
Magnetic strip end stops		2

Side Panel Components list		
Part No:	Description	Qty
1	Glazed Panel & Corner Post	1
2	Towel Rail	1
3	2 piece cover caps (LH/RH)	2
4	Screw cover strip	1

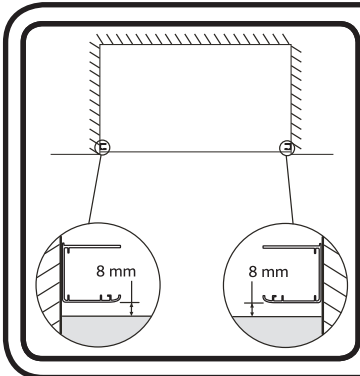
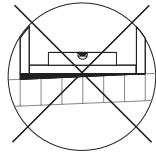
Side Panel Fixings Pack		
Description		Qty
Pan hd self tapping screw 10mm lng		4

side panel items not pictured



**Prior to installation:**

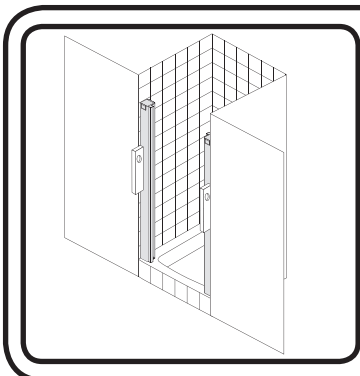
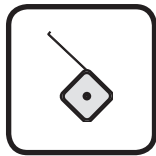
Before installing the shower screen, install the shower tray as per the manufacturer's instructions making sure that the tray is level in all directions. We recommend that the tray is installed before tiling down onto the tray.



**step 1. Installation in an alcove.**

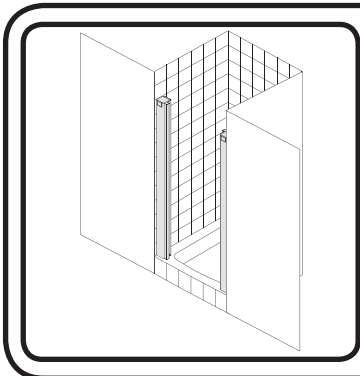
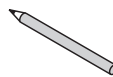
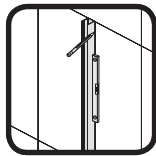
Position the wall profiles approx 8mm in from the edge of the tray or inside of up-stand.

For installation with a side panel please see step 15.



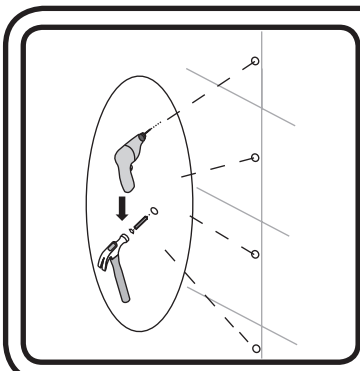
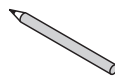
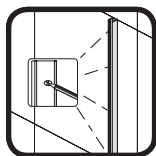
**step 2.**

Make sure both wall profiles are upright using a spirit level.



**step 3.**

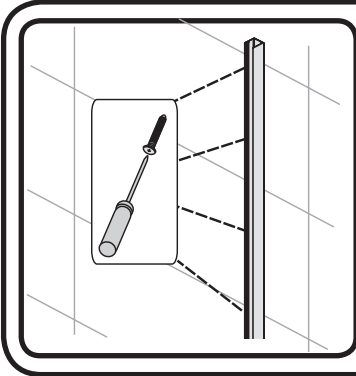
Mark the position on the wall through the pre drilled holes with your pencil. Carefully move the wall profile away from the wall and put somewhere safely to avoid damage when you start drilling.



**step 4.**

Drill holes where marked using the 6mm masonry drill bit. (You may need a specialized drill bit if you are drilling into tiles, if unsure please get advice). You can now install the wall plugs that have been provided.





**step 5.**

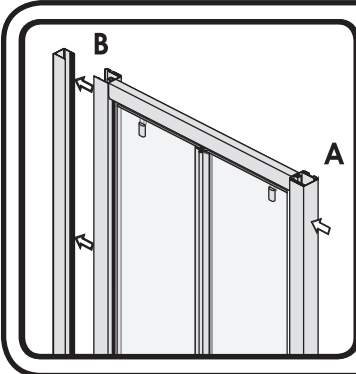
Screw one wall profile to the wall making sure you keep the profile vertical. Use the 30mm screws provided. Repeat the above procedures for the second profile, in case of installing with side panel. Make sure the distance from the edge of the tray is the same as the previous profile.



**DO NOT fix the second profile when install in an alcove!**

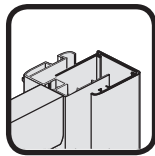


Installation into an alcove go to step 6.  
Installation with side panel go to step 16.

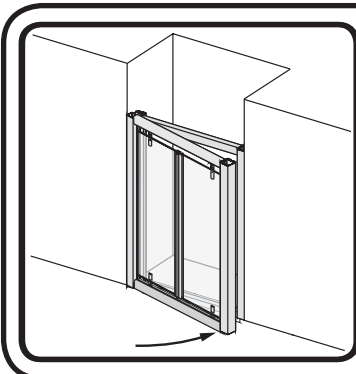


**step 6.**

Loosely locate the unfixed wall profile into the vertical door profile, as shown A. Then, slide the whole unit into the fixed wall profile, B.

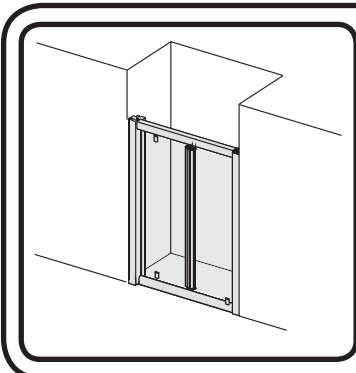
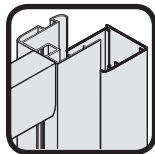


lose profil shown here.



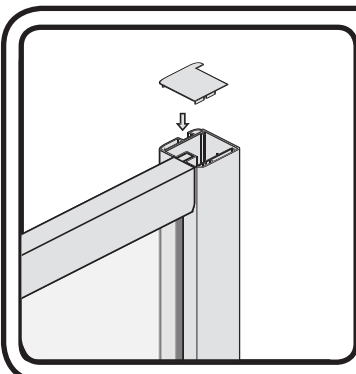
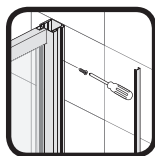
**step 7.**

Pivot the whole assembly around the fixed profile to it's final position. By parting the loose profiles, indicated below, the other wall profile can be screwed into your pre-drilled holes.



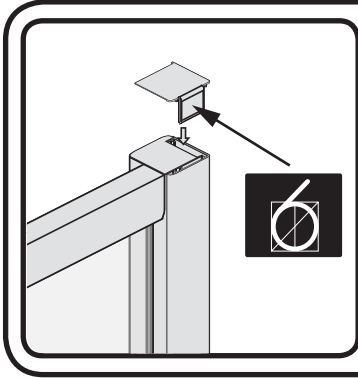
**step 8.**

Ensuring the screen is central between the walls and vertical, drill through the pre-drilled holes in the shower profile into the wall profile using a 3.2mm diameter drill. Secure together using the 10mm screws provided. Once tight install the screw cover strip.



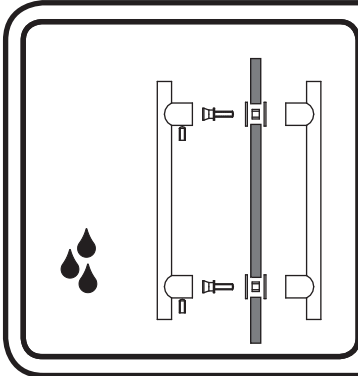
**step 9.**

Fit the profile cover caps as shown.



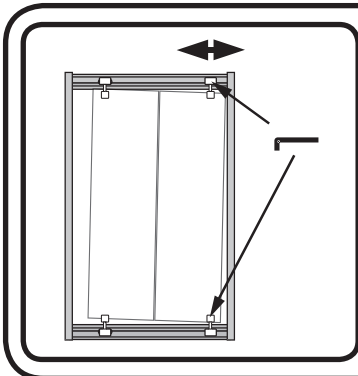
**step 10.**

Fit the profile cover caps as shown. Then apply the badges as indicated.



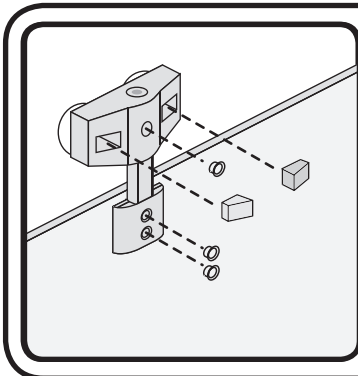
**step 11.**

Install the handle as shown. Secure together on the inside.



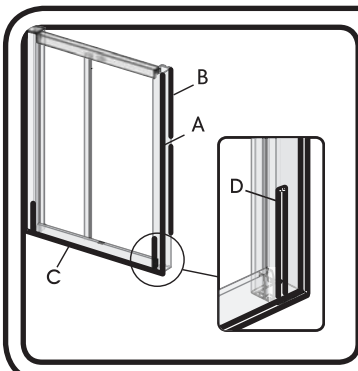
**step 12.**

Using an allen key, adjust the fixed hinges left or right to obtain flush door seals.



**step 13.**

Install the cover caps, as shown, to all hinges.



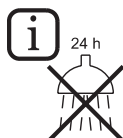
**step 14.**

Using good quality clear silicon sealant, seal the enclosure to the wall and tray along the following joints: **A:** Outside vertical enclosure-to-wall joint.

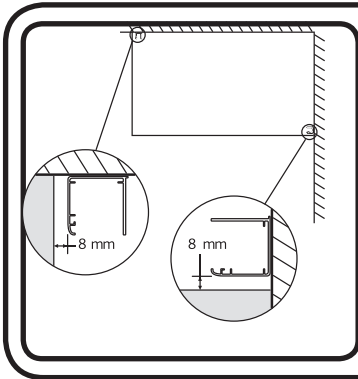
**B:** Inside vertical enclosure-to-wall joint.

**C:** Outside Perimeter enclosure-to-tray joint.

**D:** 150mm high wall profile-to-vertical profile joint.



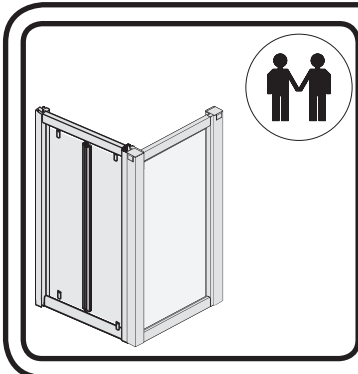
**(Make sure side panel is sealed in the same way, if installed.)**



**step 15.**

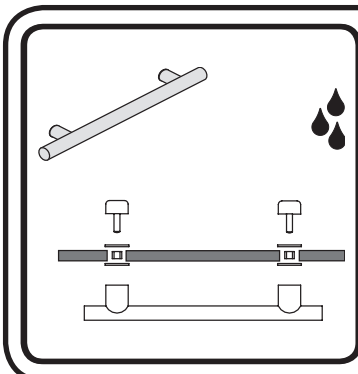
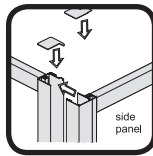
Position left and right wall profiles as shown in the diagram.

**Once complete, continue with steps 2-5.**



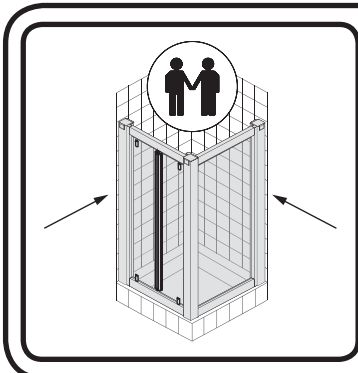
**step 16.**

Drill through the pre-drilled holes in the screen profile into the side panel profile with the 3.2 mm drill bit provided. Secure with the 10 mm screws provided. Then, install the screw cover strip and the profile cover caps provided. See step 9-10 for additional diagrams.



**step 17.**

Install the Towel Rail onto the external face of the side panel, as shown.



**step 18.**

Put the shower enclosure on the tray and move in to the wall profiles.

**Once complete, continue with steps 8-14.**

# CARE INSTRUCTIONS

Shower enclosures should be cleaned after every use. To prevent limescale from building up, use a squeegee, a soft cloth or chamois leather - but no cleaning agent - to wipe off any water droplets left after showering. Residue left by bodycare products (liquid soap, shampoo, shower gel) can also cause substances to accumulate. Use water to rinse away residues after use. All sliding door track fittings should also be cleaned this way - to ensure that they continue to run smoothly.

- **Don't allow limescale to build up – especially in hard water areas.**
- **If you do get a stubborn limescale build up, a mixture of 50:50 vinegar and water will help you to clean it away – but make sure all vinegar is rinsed off completely.**
- **Never use strong detergents or cleaning agents.**
- **Cleaning materials should wherever possible be rated between PH4 and PH8.**
- **In no circumstances should you use any abrasive substances.**

Registered office: Lawton Road, Alsager, Stoke-on-Trent, ST7 2DF, UK

T: +44(0) 1270 879777 F: +44(0) 1270 870087

E: [shower.team@twyfordbathrooms.com](mailto:shower.team@twyfordbathrooms.com)

[www.twyfordbathrooms.com](http://www.twyfordbathrooms.com)

Part of the Sanitec Group

TW G6 004 6-0 Apr2010 FI 24249