

special care

multi system, care showers,
Doc M & washrooms and other



*Armitage
Shanks*

*Ideal
Standard*

special care

multi system

*Armitage
Shanks*

*Ideal
Standard*

special care

multi system



special care

multi system

*Armitage
Shanks*

*Ideal
Standard*

special care

multi system bathrooms

When specifying toilets and shower areas for people with disabilities, what is known about them and their needs? Are users able to stand or must they sit? Will users be independent or must they be accompanied by carers? Are there different frequencies of physical height or size which must be accommodated?

These are just some of the questions that led Pressalit to think in terms of the needs of each individual instead of the needs of an often unrepresentative average person with disabilities.

- Universal access
- Can be tailored to individual needs
- Three adjustment options



Specifying

The following pages give details of individual products. To help specification products have been given symbols as follows:

-  Fixed Height
-  Variable Height
-  Multi Track

Fixed and variable height products are supplied complete and are ready to be fixed directly to a wall.

Multi Track products should be specified with the appropriate length of track as shown on page 18:1:13

A free design and scheduling service is available to propose the most economic and effective use of Multi System for any specific application.



Multi System consists of supportive bathroom products that have all been designed using ergonomic and aesthetic principles to give maximum help to everybody using bathrooms.

Because a small variation in a dimension can make facilities unusable, making those facilities adjustable to individual needs will greatly increase accessibility for all.

There are different product groups for different needs:

Fixed Height Products:

The simplest form of Multi System incorporates the design features of the product but without height adjustment. These products are sufficient for an individual whose needs are clearly identified and likely to be 'stable' in the future. In situations without carers eg public toilets it may also be necessary to use fixed height products.

Variable Height Products:

These are recommended when an individual's needs are likely to change (eg from using crutches to using a wheelchair) or if the facility is being used by two or more people with different height requirements. The correct height of a toilet support arm, shower chair or washbasin, can mean the difference between independent use, true universal access, or the user requiring assistance.

Multi Track Products:

Products fitted to the Multi Track can easily be moved or removed to suit different situations. Independent users may use the basin alongside a toilet and the shower chair within reach of the shower valve and handspray. Where attendants are needed, space can be created around the toilet, basin and shower seat for improved access. Multi Track allows you to design for the present and the future.

special care

multi system bathroom

This installation comprises a complete bathroom using sanitaryware and appropriate fittings to allow access and use by the greatest number of people.

- Complete bathroom installation
- Height adjustable fittings
- Providing universal access



Illustrated

S3200 (152701A) Ventura WC pan; **S3960** (17006FQ) Ventura cistern, 6 litre capacity for bottom supply and internal overflow with close coupling assembly, cistern cover fastener, no lever; **S4420** (7974000) Spatula cistern lever; **S4055** (68940B1) Gemini seat & cover; **S9101**

(7550BPR) Domex screws; **S6652** (58001VL) Multi System 80cm support arm. Vertical adjustment up to 25cm, horizontal adjustment (2); **S6659** (5831000) toilet roll holder for Multi System support arm; **S6721** (5813000) Multi System track stops (6); **S2231** (117924E) Portman 50cm washbasin, single

taphole with overflow, no chainstay hole; **B1984** (6311W00) Piccolo 2 washbasin monoblock mixer with 1 1/4in pop-up waste; **S6670** (58211VL) Multi System washbasin mounting, gas operated, vertical adjustment up to 30cm, horizontal adjustment; **S6690** (5809100) Multi System shelves, 60cm mounting

rod, 60cm shelves (2) x 40cm towel rail; **S6686** (5814100) Multi System flexible 70cm feed and 70cm waste system; **S6622** (58020VL) Multi System shower chair, with arm supports. Vertical adjustment up to 30cm, horizontal adjustment; **S6700** (58220LA) Multi System shower mixer bracket, horizontal adjustment;

A2444AA Trevi Therm HP exposed thermostatic shower valve; **S6728** (5825E00) 1 metre long handrail complete with **S6745** (5835000) shower handset holder; **S9395** (7891400) Armaglide handset hose and sliding rail; **S6714** (5810E00) Multi System track 150cm; **S6718** (5810K00) Multi System track 300cm



special care

hinged arms

Multi System arms ensure that the user has good support and a safe grip when rising, turning or transferring.

Can be used around the WC or within a shower area.

- Ergonomically designed profile
- Easy action
- Contact surfaces are slip resistant
- Enlarged tip to enhance grip
- Holds in upright position



Illustrated

- S6650 (58001FH) Multi System 80cm support arm, fixed height
- S6736 (5819C00) shower curtain (78cm drop) & fitting to fit support arm (white only)
- ▲ S6651 (58001VA) Multi System 80cm support arm, vertical adjustment up to 25cm
- ▲ S6652 (58001VL) Multi System 80cm support arm, vertical adjustment up to 25cm, horizontal adjustment

Weight

Fixed height 4.1kg
Vertical adjustment 6.0kg
Vertical and horizontal adjustment 7.0kg

Colours

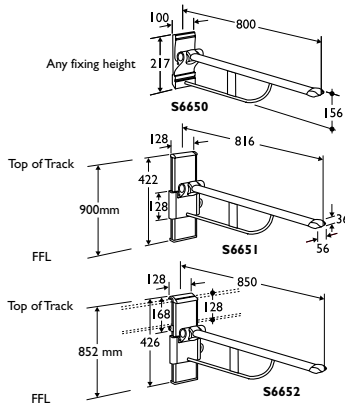
Available in White(01), Dark Blue(3) or Red(GQ)

Options

S6659 (5831000) toilet roll holder for Multi System support arm

Special notes

Multi System is manufactured by Pressalit. A counterbalanced version of the support arm is also available. Maximum load 135kg (21 stone)



special care

multi system

special care

washbasin bracket - electric

Multi System electrically operated washbasin mounting brackets allow for frequent and automatic height adjustment.

Brackets can optionally be adjusted horizontally.

Suitable for Aegean and Portman washbasins and Salonex hairwash basins.

- For frequent height adjustment
- Portman and Aegean washbasins
- Salonex hairwash basin
- Optional horizontal adjustment
- Light touch lever control



Illustrated

S6660 (58111VL)
Multi System washbasin mounting for Portman 50 and Aegean washbasins, electrically operated by lever. Vertical adjustment up to 30cm and horizontal adjustment

Weight

Vertical and horizontal adjustment 23.0kg
Vertical adjustment 22.0kg

Options

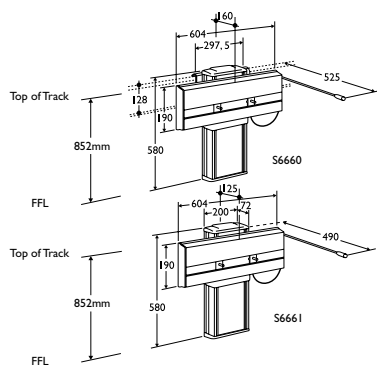
S6661 (58111VA)
Multi System washbasin mounting for Portman 50 and Aegean washbasins, vertical adjustment up to 30cm

S6664 (58081VL)
Multi System washbasin mounting for Salonex washbasins, 30cm vertical and horizontal adjustment

S6665 (58081VA)
Multi System washbasin mounting for Salonex washbasins, vertical adjustment

Special notes

Washbasins require flexible waste and feed systems, see page 18:1:7. Electrical operation Multi System brackets are available with remote electronic keypads instead of lever, please specify. Multi System is manufactured by Pressalit



special care

washbasin bracket - gas

Multi System gas cell counterbalanced washbasin mounting brackets allow for frequent and easy height adjustment.

Brackets can optionally be adjusted horizontally.

Suitable for Aegean, Portman washbasins and Salonex hairwash basins.

- For frequent height adjustment
- Portman and Aegean washbasins
- Salonex hairwash basin
- Optional horizontal adjustment
- Lever operated lock

special care

multi system



Illustrated

▶ S6670 (58211VL)

Multi System washbasin mounting bracket for Portman 50 and Aegean washbasins, gas cell counter balanced, with lever lock. Vertical adjustment up to 30cm and horizontal adjustment

Weight

Vertical and horizontal adjustment 20.4kg
Vertical adjustment 17.4kg

Options

▶ S6671 (58211VA)

Multi System washbasin mounting for Portman 50 and Aegean washbasins, 30cm vertical adjustment

▶ S6672 (58271VL)

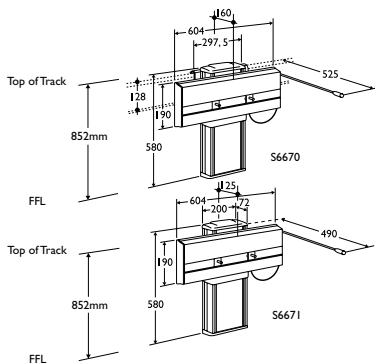
Multi System washbasin mounting for Salonex washbasins, vertical adjustment up to 30cm and horizontal adjustment

▶ S6673 (58271VA)

Multi System washbasin mounting for Salonex washbasins, 30cm vertical adjustment

Special notes

Washbasins require flexible waste and feed systems, see page 18:1:7. Multi System is manufactured by Pressalit



special care

washbasin bracket - manual

Multi System manually operated washbasin mounting brackets allow height adjustment of washbasins.

Brackets can optionally be adjusted horizontally.

Suitable for Aegean, Portman washbasins and Salonex hairwash basins.

- For occasional height adjustment
- Portman and Aegean washbasins
- Salonex hairwash basin
- Optional horizontal adjustment



Illustrated

S6680 (58201VL)
Multi System washbasin mounting bracket for Portman 50 and Aegean washbasins, manually operated. Vertical adjustment up to 25cm and horizontal adjustment

Weight

Vertical and horizontal adjustment 10.0kg
Vertical adjustment 8.4kg

Options

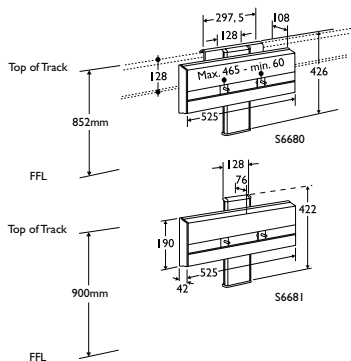
S6681 (58201VA)
Multi System washbasin mounting for Portman 50 and Aegean washbasins, 25cm vertical adjustment

S6683 (58261VA)
Multi System washbasin mounting for Salonex washbasins, 25cm vertical adjustment

S6682 (58261VL)
Multi System washbasin mounting for Salonex washbasins, vertical adjustment up to 25cm and horizontal adjustment

Special notes

Manual brackets require two people to adjust basin heights. Washbasins require flexible waste and feed systems, see page 18:1:7. Multi System is manufactured by Pressalit



special care

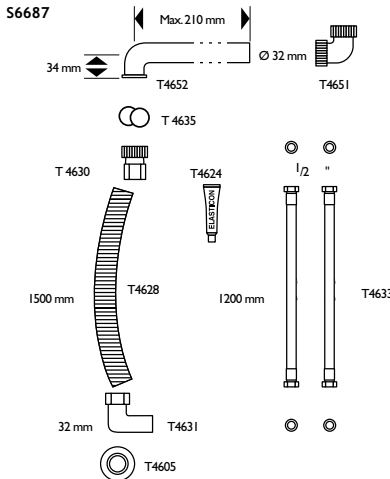
flexible connections

Multi System flexible inlet feed and waste systems are an essential part of installing Multi System height adjustable washbasins using electric, gas or manually operated mounting brackets.

- Flexible feed and waste systems
- For height adjustable washbasins
- Two length combinations

special care

multi system



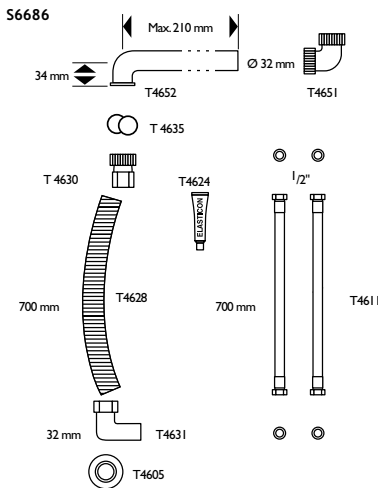
Illustrated

S6686 (5814100)
Multi System flexible 70cm feed and 70cm waste system for vertical adjustment only

S6687 (5814200)
Multi System flexible 120cm feed and 1500cm waste system for sideways adjustment

Associated products

Agean, Portman and Salonex wash basins



special care

multi system

special care

shower chair

Multi System shower chairs are vertically adjustable to provide optimal safe and comfortable seating.

- Suitable for wheelchair transfer
- Soft, slip resistant polyurethane
- Contrast colour options
- Folds upright
- Fixed backrest available



Illustrated

S6636 (58011VA)
Multi System shower chair, height adjustable up to 25cm
S6621 (5806000)
Multi System fixed backrest for shower chair

Weight

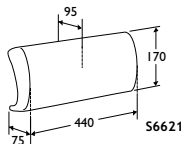
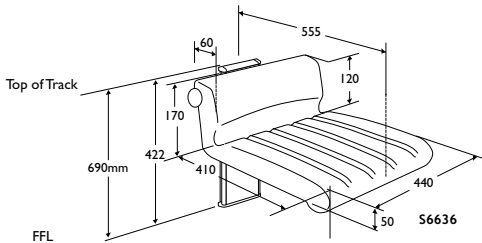
Chair 13.0kg
Backrest 2.5kg

Colours

Available in White (01), Dark Blue (36) or Red (GQ)

Special notes

Maximum seat load 150kg or 23.5 stone.
Multi System is manufactured by Pressalit



Armitage Shanks

Product information
Tel: 0870 122 8822 Fax: 0870 122 8282
eMail: info@thebluebook.co.uk
www.thebluebook.co.uk

18 : 1 : 8

CI/SIB (74) May 2002
Uniclass L721

Idéal Standard

special care

shower chair with arms

Multi System shower chairs are vertically adjustable to provide optimal safe and comfortable seating.

Shower chairs can optionally be adjusted horizontally.

- Suitable for wheelchair transfer
- Chair with arms and backrest
- Contrast colour options
- Drainage channels
- Arms and seat fold upright



Illustrated

S6622 (58020VL)
Multi System shower chair with arm supports, height adjustable up to 30cm, horizontal adjustment

S6623 (58020VA)
Multi System shower chair with arm supports, height adjustable up to 30cm

Material soft slip resistant polyurethane

Weight

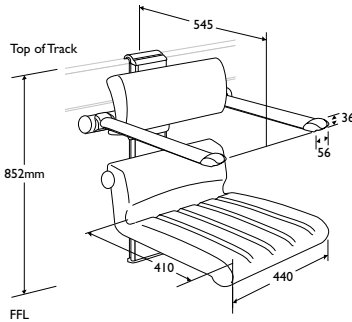
Vertical and horizontal adjustment 22.5kg
Vertical adjustment 21.5kg

Colours

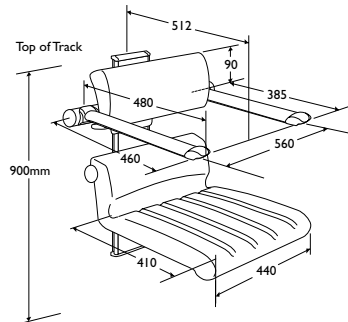
Available in White (01), Dark Blue (36) or Red (GQ)

Special notes

Maximum seat load 140kg or 22 stone.
Multi System is manufactured by Pressalit



S6622



S6623



special care

multi system

special care

folding shower seat

Multi System shower seats are available in fixed and vertically adjustable versions.

Folding seats increase the accessibility of showers without compromising the space available to standing users.

- Folding seat
- Contrast colour options
- Fixed or height adjustable option



Illustrated

S6626 (58030VA)
Multi System folding shower seat, height adjustable up to 25cm

Weight

Fixed height 4.8kg
Adjustable height 7.0kg

Colours

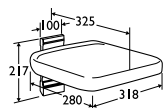
Available in White (01), Dark Blue (36) or Red (GQ)

Options

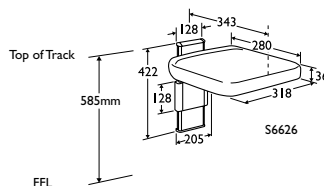
S6625 (5803000)
Multi System folding shower seat, fixed height

Special notes

Maximum seat load 135kg or 21 stone.
Multi System is manufactured by Pressalit



S6625



S6626



Armitage
Shanks

Product information
Tel: 0870 122 8822 Fax: 0870 122 8282
eMail: info@thebluebook.co.uk
www.thebluebook.co.uk

18 : 1 : 10

CI/SIB (74) May 2002
Uniclass L721

Ideal
Standard

special care

modular shelf unit

Multi System's modular shelf unit allows items to be readily within reach of the user.

- Variable height
- Swivelling shelves
- Edge rails
- Towel rail

special care

multi system



Illustrated

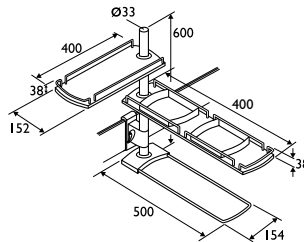
S6690 (5809100)
Multi System modular shelves, 60cm mounting rod, 40cm shelves (2), track mounted towel rail

Weight

Shelf system 4.7kg

Special notes

Multi system is manufactured by Pressalit



Armitage
Shanks

Product information
Tel: 0870 122 8822 Fax: 0870 122 8282
eMail: info@thebluebook.co.uk
www.thebluebook.co.uk

18 : 1 : 11

CI/SIB (74) May 2002
Uniclass L721

Ideal
Standard

special care

multi system

special care

shower mixer bracket

Multi System shower with exposed valve and adjustable rail-mounted handset.

Allows the shower to be used where it is needed.

- Horizontal adjustment
- Exposed valve
- One metre vertical adjustment



Illustrated

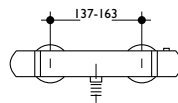
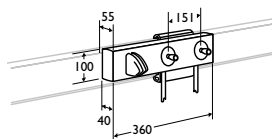
S6700 (58220LA)
Multi System shower mixer bracket with horizontal and vertical adjustment, supplied complete with 2 x 1200mm flexible feed pipes
A2444AA Trevi Therm HP exposed thermostatic mixer
S9395 (7891400) Armaglide handset, hose, sliding rail and wall union
S9430 (M126801) handset rail giving 1 metre vertical adjustment
S6728 (5825E00) Multi System 100cm handrail
S6745 (5835000) sliding shower handset bracket to suit Multi System handrails

Weight

Shower bracket 2.3kg
Shower mixer 2.2kg
100cm handrail 1.6kg

Special notes

Multi System is manufactured by Pressalit



Armitage
Shanks

Product information
Tel: 0870 122 8822 Fax: 0870 122 8282
eMail: info@thebluebook.co.uk
www.thebluebook.co.uk

18 : 1 : 12

CI/SIB (74) May 2002
Uniclass L721

Ideal
Standard

special care

multi system track

Multi System track allows items such as washbasins, shower chairs, support arms and grab rails to be moved and secured to suit individual needs and circumstances.

Space can be created for access in areas of limited space thereby producing a bathroom which is adaptable to almost any individual or situation.










- Horizontal movement
- Rapid relocation of fittings
- Improves access

special care

multi system



Illustrated

-  **S6710** (5810A00)
Multi System track
40cm length
-  **S6721** (5813000)
Multi System track
stop
-  **S6711** (5810B00)
Multi System track
60cm length
-  **S6712** (5810C00)
Multi System track
90cm length
-  **S6713** (5810D00)
Multi System track
120cm length
-  **S6714** (5810E00)
Multi System track
150cm length
-  **S6715** (5810F00)
Multi System track
180cm length
-  **S6716** (5810G00)
Multi System track
210cm length
-  **S6717** (5810H00)
Multi System track
240cm length

Special notes

Multi System track should be fitted at 85cm from finished floor line to top of track. Multi System track is available up to 600cm upon request. Multi System is manufactured by Pressalut



special care

multi system

special care

raised toilet seat

Multi System raised toilet seats provide a secure platform to help with the many different methods of transfer.

A standard height pan with a raised seat will have a similar height to a wheelchair.

- Contrast colour options
- Securely fitted to pan
- Buffers prevent sideways movement



Illustrated

S6600 (5830000)
Dania 50mm raised toilet seat & cover

Weight

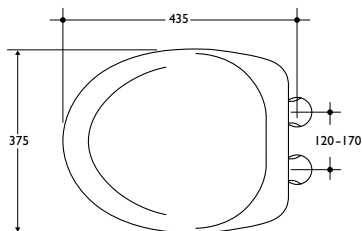
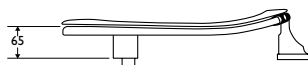
Dania seat 4.0kg

Colours

Available in White (01),
Dark Blue (36)
or Red (GQ)

Special notes

Dania 50mm raised toilet seat is suitable for the following WC pans:
Tiffany/Cameo, Tiffany BTW, Cottage.
Maximum seat load 150kgs (23.5 stone).
Manufactured by Pressalit



Armitage
Shanks

Product information
Tel: 0870 122 8822 Fax: 0870 122 8282
eMail: info@thebluebook.co.uk
www.thebluebook.co.uk

18:1:14

CI/SIB (74) May 2002
Uniclass L721

Ideal
Standard

special care

handrails

Multi System handrails are manufactured from polyester coated aluminium.

Handrails are 33mm in diameter and have been designed with non-conductive concealed fixings.

- Straight and angled handrails
- Contrast colour options
- Concealed fixings

special care

multi system



Illustrated

- S6726 (5825C00) straight handrail size 60cm
- S6743 (58231H4) 90° angled handrail size 90cm x 40cm (right hand)
- S6744 (5824100) angled handrail size 45cm x 45cm

Material

Polyester coated aluminium

Weight

- Straight rail 1.2kg
- Cranked rail 1.8kg
- Angled rail 2.6kg

Colours

Available in White (01), Dark Blue (36) or Red (GQ)

Options

- S6742 (58231H3) 90° handrail size 90cm x 40cm left hand

Special notes

Other lengths of handrails available. Multi System is manufactured by Pressalit

special care

methods of installation

Multi System products installation recommendations.

- Brick and concrete walls
- Stud and plywood walls
- Plasterboard walls

Page No.	Cat No.		Brick walls (solid brick or hollow brick)	2in x 1 1/2in studs, 22mm plywood or equivalent	2 x 12.5mm plasterboard or equivalent	Aerated concrete walls	Concrete walls
18:1:13	S6710-7	R99	B	E	E	D	A
18:1:3	S6650	R3010/RF010	A	E	X	C	A
18:1:3	S6651	R3140/RF140	B	E	E	D	B
18:1:3	S6652	R3146/RF146	B	E	E	D	B
18:1:6	S6681	R4140	B	E	E	D	B
18:1:5	S6671	R4360	B	E	E	D	B
18:1:10	S6625	R5010	A	E	X	C	A
18:1:10	S6626	R5140	B	E	E	D	B
18:1:8	S6621	R6012	B	E	E	D	B
18:1:8	S6636	R7142/R7143	B	E	E	D	B
18:1:9	S6623	R7166/R7168	B	E	E	D	B

A:
LA 800 (x4)



LA 307 fischer S12

B:
LA 803 (x2)
LA 801 (x6)
LA 802 (x10)

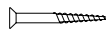


T4513



fischer S12

C:
LA 810 (x4)

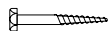


fischer Ø10-105



fischer GB14

D:
LA 811 (x2)
LA 812 (x6)
LA 813 (x10)

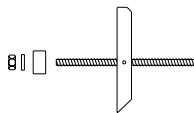


fischer Ø10-105



fischer GB14

E:
LA 814 (x2)
LA 815 (x6)
LA 816 (x10)



fischer KM10



special care

care showers



special care

care showers

*Armitage
Shanks*

*Ideal
Standard*

special care

synergy 100

Synergy 100 is a dual purpose, corner shower unit which easily accommodates wheelchair users.

Its compact 1100 mm square base means installation is possible in small areas. The tray is manufactured from glassfibre reinforced plastic, which when fitted correctly is load bearing to a breaking pressure of 2 tonnes.

Half height enclosure doors guard against splashing and are strong, durable and easy to clean.

- Low entry access
- Tray takes pressures to 2 tonnes
- For wheelchair or ambulant users
- Simple installation



Illustrated

S6802 (00CP019)
Synergy 100 Care Shower Pack (right hand arrangement) with electric shower

Material

Glassfibre reinforced acrylic base with aluminium framing

Colours

White frame with frosted door panel only

Options

S6801 (00CP011)
Synergy 100 Care Shower Pack (left hand arrangement) with electric shower

S6803 (00CP002)
Synergy 100 Care Shower Pack (left hand arrangement) with lever operated exposed thermostatic shower valve

S6804 (00CP020)
Synergy 100 Care Shower Pack (right hand arrangement) with lever operated exposed thermostatic shower valve

S6805 (00CP001)
Synergy 100 Care Shower Pack (left hand arrangement) with lever operated concealed thermostatic shower valve

S6806 (00CP021)
Synergy 100 Care Shower Pack (right hand arrangement) with lever operated concealed thermostatic shower valve

S6807 (75001FDDH)

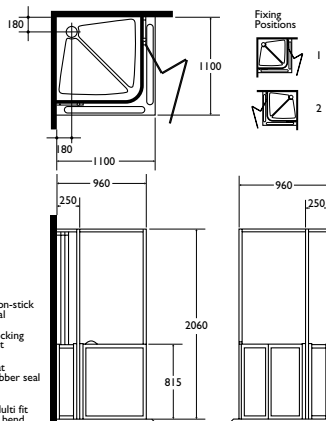
Synergy 100 Care Enclosure only pack, left hand fixing

S6808 (75011FDDH)

Synergy 100 Care Enclosure only pack, right hand fixing

Special notes

Contents (*indicates contents of Enclosure only packs); Shower Tray*; White tri-fold enclosure doors*; 2 floor to curtain rail grab poles*; Curtain and L-shaped rail*; Waste trap*; 60cm handrail; Shower (electric or valve option)
All Care shower packs include shower kit with slide bar, hose and handset



special care

synergy 200

Synergy 200 is a stylish, easy access cubicle for ambulant users.

Easily installed on an existing floor, it includes a waste channel that discharges above floor level.

It is suitable for replacing a bath, to supplement existing facilities or as an en-suite facility.

The tray, when fitted correctly, is load bearing to a breaking pressure of 2 tonnes. Half height enclosure doors guard against splashing.

- Easy access shower enclosure
- Tray takes pressures to 2 tonnes
- Simple installation
- Above floor waste
- Textured floor surface



Illustrated

S6811 (00CP013)
Synergy 200 Care Shower Pack (right hand drain) with electric shower

Material

Glass fibre reinforced base with aluminium framing

Colours

White frame with frosted door panels only

Options

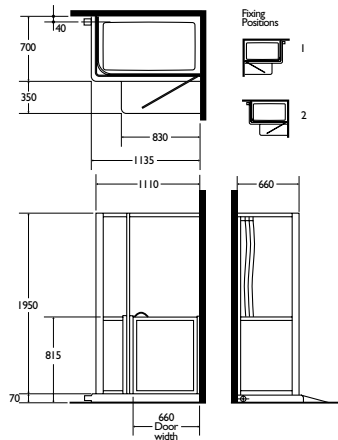
- S6810 (00CP012)**
Synergy 200 Care Shower Pack (left hand drain) with electric shower
- S6812 (00CP003)**
Synergy 200 Care Shower Pack (left hand drain) with lever operated concealed thermostatic shower valve
- S6813 (00CP004)**
Synergy 200 Care Shower Pack (right hand drain) with lever operated concealed thermostatic shower valve
- S6814 (00CP009)**
Synergy 200 Care Shower Pack (left hand drain) with lever operated exposed thermostatic shower valve
- S6815 (00CP010)**
Synergy 200 Care Shower Pack (right hand drain) with lever operated exposed thermostatic shower valve

- S6816 (75021FDDH)**
Synergy 200 Care Enclosure Pack only (left hand drain)
- S6817 (75031FDDH)**
Synergy 200 Care Enclosure Pack only (right hand drain)

Special notes

Contents (*indicates contents of Enclosure only packs); Shower Tray with ramp*; Half height enclosure doors*; Curtain and L-shaped rail*; Wall mounted shower seat; Shower (electric or valve option) packs include shower kit with slide bar, hose and handset

Drawing shows version with left hand drain



special care

synergy 300

Synergy 300 provides unique floor level access, with no ramps or obstructions making it suitable for wheelchair users.

It can be easily installed onto existing floor joists or screeded into the floor.

The glassfibre reinforced plastic tray, when fitted correctly is load bearing to a breaking pressure of 2 tonnes. It also has a slip resistant base for added safety. Half height enclosure doors guard against splashing.

- Care shower enclosure
- Floor level access
- No ramps or steps
- For wheelchair or ambulant users
- Easily cut to space available



Illustrated

S6820 (00CP014) Synergy 300 Care Shower Pack (left hand waste) with electric shower

S6827 (75051FDDH)

Synergy 300 Care Enclosure only pack (right hand waste)

Material

Glassfibre reinforced acrylic base with aluminium framing

Special notes

Contents (*indicates contents of Enclosure only packs); Shower Tray – left or right hand*; White tri-fold enclosure doors*; Curtain and L-shaped rail*; Waste trap*; Wall mounted shower seat; L-shaped handrail; Shower (electric or valve option) All Care shower packs include shower kit with slide bar, hose and handset

Colours

White frame with frosted door panel only

Options

S6821 (00CP015) Synergy 300 Care Shower Pack (right hand waste) with electric shower

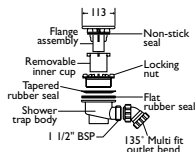
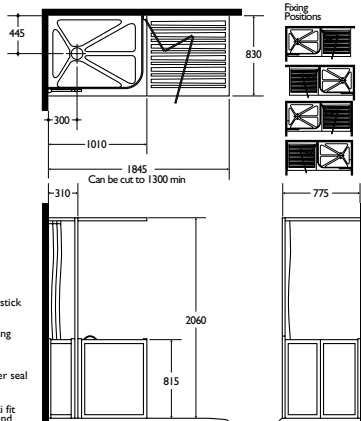
S6822 (00CP005) Synergy 300 Care Shower Pack (left hand waste) with lever operated exposed thermostatic shower valve

S6823 (00CP007) Synergy 300 Care Shower Pack (right hand waste) with lever operated exposed thermostatic shower valve

S6824 (00CP008) Synergy 300 Care Shower Pack (left hand waste) with lever operated concealed thermostatic shower valve

S6825 (00CP006) Synergy 300 Care Shower Pack (right hand waste) with lever operated concealed thermostatic shower valve

S6826 (75041FDDH) Synergy 300 Care Enclosure only pack (left hand waste)



special care

synergy 300 plus

Synergy 300 Plus provides unique floor level access, with no ramps or obstructions making it suitable for wheelchair users.

The glassfibre reinforced plastic tray, when fitted correctly, is load bearing to a breaking pressure of 2 tonnes.

Quiet 12 volt pump system allows waste to be discharged easily and conveniently. An added safety feature is an audible alarm to indicate water clearance problems.

- *Installable on any surface*
- *Low access*
- *Simple installation*
- *Integral pumped waste system*
- *Textured floor surface*



Illustrated

S6830 (00CP016)
Synergy 300 Plus Care Shower Pack (left hand waste) with electric shower

Material

Glassfibre reinforced acrylic base with aluminium framing

Colours

White frame with frosted door panel only

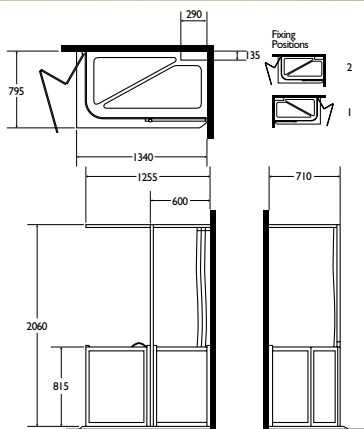
Options

- S6831 (00CP017)**
Synergy 300 Plus Care Shower Pack (right hand waste) with electric shower
- S6832 (75061FDDH)**
Synergy 300 Plus Care Enclosure only pack (left hand waste)
- S6833 (75071FDDH)**
Synergy 300 Plus Care Enclosure only pack (right hand waste)

Special notes

Contents (*indicates contents of Enclosure only packs); Shower Tray – left or right hand*; White tri-fold enclosure doors*; Curtain and L-shaped rail*; Waste trap*; Wall mounted shower seat; L-shaped handrail; 12 volt pump with cover and wiring block*; Shower (electric)
All Care shower packs include shower kit with slide bar, hose and handset

It is recommended that the flexible waste pipe from the pump outlet is arranged to discharge into a trapped waste standpipe. The standpipe should be located close to the unit and be at least 60cm above the floor. An adequate fall from the trap to the soilpipe must be provided



Drawing shows unit with right hand waste



special care

synergy 400

This stylish self-contained unit can be fitted in any room or on any surface without removing the floor.

Supplied with a quiet 12 volt waste pump (which runs via a transformer) that is easy to install and allows waste to be pumped out to a stack.

Carer friendly half height enclosure doors guard against splashing and are made from an aluminium frame, with an acrylic panel making them strong, durable and easy to clean.

- Care shower enclosure
- Aluminium framing
- Acrylic panels
- Pump-out waste

special care
care showers



Illustrated

S6840 (00CP018)
Synergy 400 Care Shower Pack with electric shower

Material

Glassfibre reinforced acrylic base with aluminium framing and acrylic panels

Colours

White frame with frosted door panel only

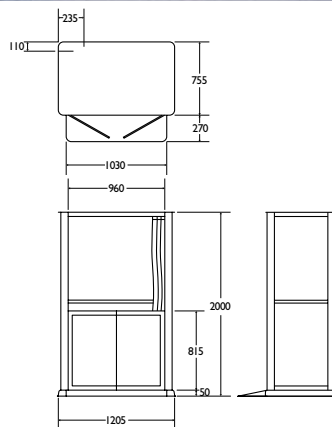
Options

S6841 (75081FDDH)
Synergy 400 Care Shower Enclosure only pack

Special notes

Package Contents (*indicates contents of Enclosure only packs)
Shower Tray*; White enclosure doors*; 2 integral handrail*; Riser rails*; Shower curtain*; 12 volt pump with cover and wiring block*; Wall mounted shower seat; electric shower with slide rail kit, hose and handset

Not recommended for use with a shower valve. It is recommended that the flexible waste pipe from the pump outlet discharges into a trapped waste standpipe. The standpipe should be located close to the unit and be positioned at least 60cm above the floor. An adequate fall from the trap to the soilpipe must be provided



Armitage
Shanks

Product information
Tel: 0870 122 8822 Fax: 0870 122 8282
eMail: info@thebluebook.co.uk
www.thebluebook.co.uk

18 : 2 : 5

CI/STB | (74) | May 2002
Uniclass L721

Ideal
Standard

special care

care showers

special care

folding shower seat

This wall mounted shower seat is compact and can be folded neatly against the wall when not in use to save space.

Its padded seat provides comfort, is easy to clean and provides no dirt traps.

When in use, the legs provide security and strength (up to 159 kg, 25 stone) and the feet can be adjusted to cater for uneven floor surfaces.

- Wall mounted
- Supports up to 159kg
- Easy to clean

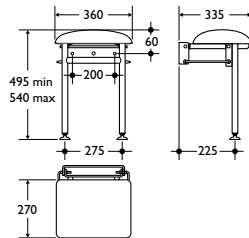


Illustrated

S6850 (5847000WW)
folding shower seat
with legs

Weight
Seat 6.0kg

Colours
Available in White (01)
only



special care

DocM and washrooms



special care

DocM and washrooms

*Armitage
Shanks*

*Ideal
Standard*

special care

doc m standard pack

Lower cost Doc M pack incorporating central taphole washbasin to provide improved access for users.

- Meets all M3 Building Regulations
- LANTAC approved
- Delivered in one box

special care

DocM and washrooms



Illustrated

S687501 (00DM005WW)
Doc M standard pack with white grab rails, seat and hinged arm support

Material

Vitreous china

Weight

66.0kg

Colours

Available in White only

Standards

Vitreous china to BS 3402
LANTAC approval number NR-58-5-46

Options

S687801 (00DM006WW)
Doc M Standard pack as above but with concealed cistern

Associated products

Panekta connectors
S4305 (9013000)
converts to P trap
S4300 (9014000)
converts to turned P or S trap connector

Special notes

Left hand corner arrangement illustrated.
For right hand corner arrangement lever should be fitted on left of cistern



Armitage
Shanks

Product information
Tel: 0870 122 8822 Fax: 0870 122 8282
eMail: info@thebluebook.co.uk
www.thebluebook.co.uk

18:3:1

CI/SIB (74) May 2002
Uniclass L721

Idagel
Standard

special care

doc m standard pack

Lower cost Doc M pack incorporating central taphole washbasin to provide equal access for users.

- Meets all M3 Building Regulations
- LANTAC approved
- Alternative specification
- Delivered in one box

Alternative specification

S3465 (149401A)
Ventura BTW WC pan
S5375 (7774000)
laminated faced
spacer box unit with
access panel

S3900 (17730AA)
cistern, 6 litre capacity
for side supply and
internal overflow,
Freeflo syphon fittings,
Microvalve HP/LP
ballvalve, side supply,
internal overflow and
Simpla inlet connector

S4658 (796489Z) plastic
flushpipe
S4063 (69840B8)
Bakasan seat, no cover
S9101 (7550BPR)
Domex screws (pair)
S2785 (119615S) Ventura
washbasin,
central taphole

S7445 (8029Y00) lever
action Spraymixa tap
S8810 (90297N9)
1 1/4in plastic
strainer waste
S9110 (7192000)
concealed hangers
S8910 (70237Q4)
1 1/4in plastic bottle trap

S6896 (7788400)
60cm grab rail (3 off)
S6894 (7788200)
45cm pull rail (for back
of door)
S6912 (7773100)
hinged support rail
S6888 (7780000)
backrest rail 40cm
x 25cm and
S6884 (7773100)
cushioned back support
with clips
S5004 (2053100)
Mayfair semi-recessed
toilet roll holder
15cm x 15cm

Material

Vitreous china

Colours

Available in White only

Standards

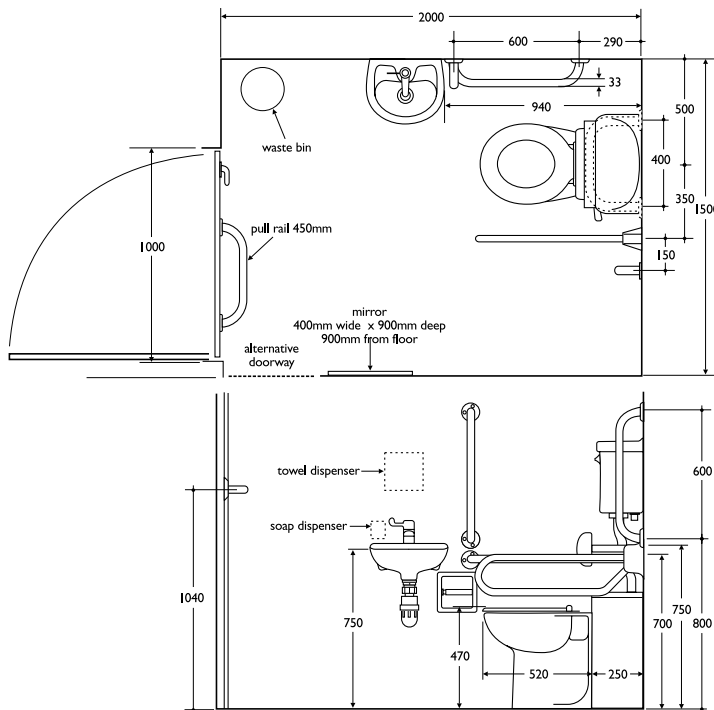
Vitreous china to
BS 3402
LANTAC approval
number NR-58-5-46

Associated products

Panekta connectors
S4305 (9013000)
converts to P trap
S4300 (9014000)
Converts to turned
P or S trap

Special notes

For left hand corner
arrangement spatula
lever should be fitted
on right of cistern



special care

doc m plus pack

Specially designed with RADAR and JMU (Access Partnership), this Doc M pack has many safety features and high aesthetic appeal.

TMV3 approved thermostatic valve to help prevent scalding.

- LANTAC approved
- Left or right hand corners
- Delivered complete in one box
- Optional blue grab rails and seat



Illustrated

S687101 (00DM001WW)
Doc M plus pack with white grab rails, seat and hinged arm support

Material

Vitreous china

Weight

70.0kg

Colours

Available in White only

Standards

Vitreous china to BS 3402
LANTAC approval number NR111-5-46

Options

S687201 (00DM002WW)
Doc M pack with blue easy grip grab rails and hinged arm support, blue seat

Associated products

Panekta connectors
S4305 (9013000)
converts to P trap
S4300 (9014000)
converts to turned P or S trap

Special notes

Left hand corner arrangement illustrated.
For right hand corner arrangement spatula lever should be fitted on left of cistern



special care

doc m plus pack

Specially designed with RADAR and JMU (Access Partnership), this Doc M pack has many safety features and high aesthetic appeal.

TMV3 approved thermostatic valve to help prevent scalding.

- LANTAC approved
- Left or right hand corners
- Delivered complete in one box
- Optional blue grab rails and seat

Alternative specification

S3200 (152701A)
Ventura WC with fixing kit
S3960 (17006FQ)
Ventura cistern, 6 litre capacity for bottom supply and internal overflow, Freeflo plastic

syphon fittings, Microvalve HP/LP.
Whisperflo refill unit, internal overflow, and cistern cover fastener
S4420 (7974000) chrome plated reversible spatula type lever
S4063 (69840B8WW) Bakasan seat,

no cover, White
S9101 (7550BPR) Domex screws (pair)
S2785 (1196155) Ventura washbasin, central taphole
S7445 (8029Y00) lever action Spraymixa tap
S8810 (902979N) 1 1/2in plastic strainer waste

S9110 (7192000) concealed hangers
S8910 (70237Q4) 1 1/4in plastic bottle trap
S7435 (65704AG) Nuastyle under basin thermostatic valve
S6896AC (7788400PC) 60cm grab rail, white (3No)

S6894AC (7788200PC) 45cm pull rail, White (for back of door)
S6912AC (7797100PC) hinged support rail, White
S5004 (2053100) Mayfair semi-recessed toilet roll holder 15cm x 15cm

Material

Vitreous china

Colours

Available in White only

Standards

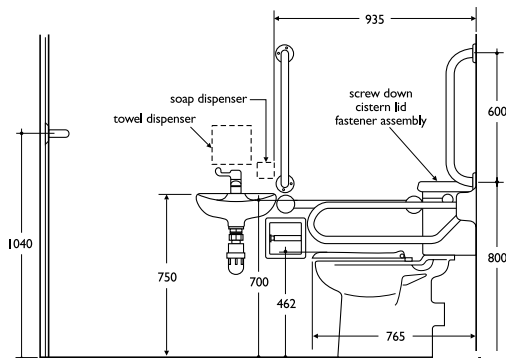
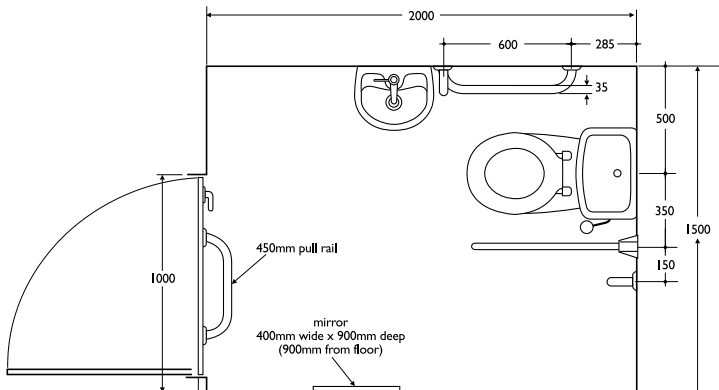
Vitreous china to BS 3402
LANTAC approval number NR111-5-46

Options

S406336 (68940B8DB) Bakasan seat, dark blue
S6896LI (7788400EL) 60cm grab rails, easy grip blue
S6894LI (7788200EL) 45cm grab rails, easy grip blue
S6912LI (7797100EL) hinged arm support easy grip blue

Special notes

Left hand corner arrangement illustrated. For right hand corner arrangement spatula lever should be fitted on left of cistern



special care

luxury doc m pack

Luxury Doc M pack with high quality grab rails and seat including TMV 3 approved thermostatic valve to help prevent scalding.

- LANTAC approved
- Delivered in one box
- Luxury offering in colour



Illustrated

S6874 (00DM004)
Doc M luxury pack with Multi System matching grab rails, Dania seat and fixed height hinged arm support with toilet roll holder

Weight

70.0kg

Colours

Available in White (01), Chablis (20) or Honey Moon (SW). Representations of colours available appear in Section 3, Colours

Standards

Vitreous china to BS 3402
LANTAC approval number NR111-5-46

Options

S687701 Doc M luxury pack in white with blue Multi-System grab rails, Dania seat and fixed height hinged support with toilet roll holder

Associated products

Panekta connectors
S4305 (9013000)
converts to P trap
S4300 (9014000)
converts to turned P or S trap



special care

luxury doc m pack

Luxury Doc M pack with quality grab rails and seat including TMV3 approved thermostatic valve to help prevent scalding.

- LANTAC approved
- Delivered in one box
- Luxury offering in colour
- Alternative specification

Alternative specification

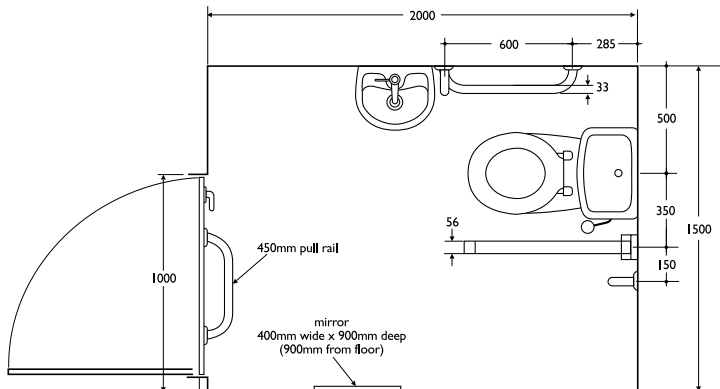
S3200 (152701A)
Ventura WC with fixing kit
S3960 (17006FQ)
Ventura cistern, 6 litre capacity for bottom supply and internal overflow. Freeflo plastic

syphon fitting
Microvalve HP/LP ballvalve with Whisperflo refill unit, internal overflow and cistern cover fastener
S4420 (7974000) chrome plated reversible spatula type lever

S6605 (58340B8) Dania seat, no cover
S9101 (7550BPR) Domex screws (pair)
S2785 (1196155) Ventura washbasin, central taphole
S7445 (8029Y00) lever action Spraymixa tap

S8720 (70027N9) 1 1/4in brass strainer waste
S9110 (7192000) concealed hangers
S8910 (70237Q4) 1 1/4in plastic bottle trap
S7435 (65704AG) Nuastyle under-basin thermostatic valve

S6726 (5825C00) Multi System 60cm handrails (3)
S6725 (5825B00) Multi System 45cm handrail
S6650 (58001FH) Multi System fixed height hinged support
S6659 (5631000) toilet roll holder



Material

Vitreous china

Colours

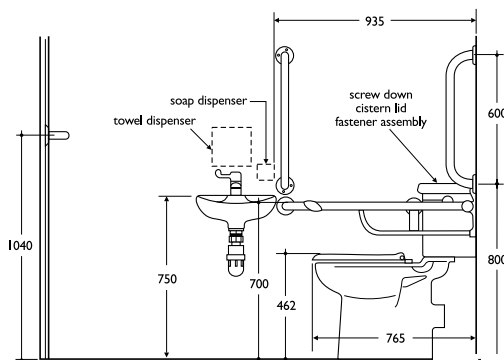
Available in White, Chablis or Honey Moon. Representations of colours available appear in Section 3, Colours

Standards

Vitreous china to BS 3402
LANTAC approval number NR111-5-46

Special notes

Left hand corner arrangement illustrated. For right corner arrangement spatula lever should be fitted on left of cistern



special care

peninsular care pack

Peninsular care pack using latest room layout together with larger washbasin to provide improved access.

Designed with RADAR and JMU (Access Partnership).

Users can transfer from the left or right side of the WC pan.

- Large washbasin for improved access
- Designed in conjunction with RADAR
- Blue grab rails and seat

special care

DocM and washrooms



Illustrated

S687301 (00DM003WW)

Peninsular care pack with blue easy grip grab rails and hinged arm support, toilet roll holder, blue seat, no cover

Material

Vitreous china

Weight

76.0kg

Colours

Available in White only

Standards

Vitreous china to BS 3402

Associated products

Panekta connectors

S4305 (9013000)

convert to P trap

S4300 (9014000)

convert to turned

P or S trap

Special notes

Peninsular care packs require local authority approval as a public facility



special care

peninsular care pack

Peninsular care pack using latest room layout together with larger washbasin to provide improved access.

Designed with RADAR and JMU (Access Partnership).

Users can transfer from the left or right side of the WC pan.

- Large washbasin for improved access
- Designed in conjunction with RADAR
- Blue grab rails and seat

Alternative specification

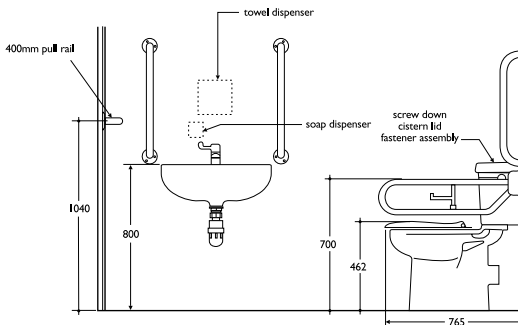
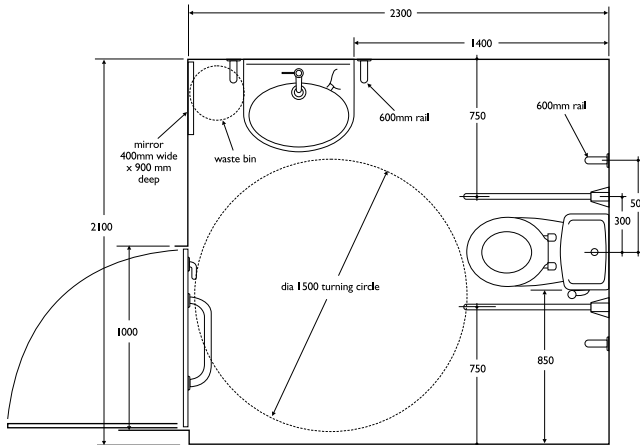
S3200 (152701A)
Ventura WC with fixing kit
S3960 (17006FQ)
Ventura cistern, 6 litre capacity for bottom

supply and internal overflow Freeflo plastic syphon fittings, Microvalve HP/LP ballvalve with Whisperflo refill unit, internal overflow, and cistern cover fastener

S4420 (7974000) chrome plated reversible spatula type lever
S4063 (68940B8) Bakasan seat, no cover, dark blue

S9101 (7550BPR) Domex screws (pair)
S2277 (1179355) Portman 60cm washbasin, central taphole, no overflow, no chain stay hole

S9150 (7900000) aluminium alloy bracket
S7445 (8029Y00) lever action Spraymixa tap
S8810 (90297N9) 1 1/4in plastic strainer waste
S8910 (70237Q4) 1 1/4in plastic bottle trap
S7435 (65704AG) Nuastyle under-basin thermostatic valve
S6896LI (7788400EL) 60cm easy grip blue grab rail (4 No)
S6894LI (7788200EL) 45cm easy grip blue pull rail (for back of door)
S6912LI (7797100EL) easy grip blue hinged support rail
S6914LI (7786000EL) toilet roll holder for hinged support



Material
Vitreous china

Colours
Available in White only

Standards
Vitreous china to BS 3402

Special notes
Peninsular care packs require local authority approval as a public facility



special care

other



special care

other

*Armitage
Shanks*

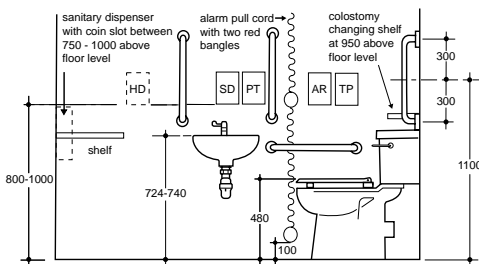
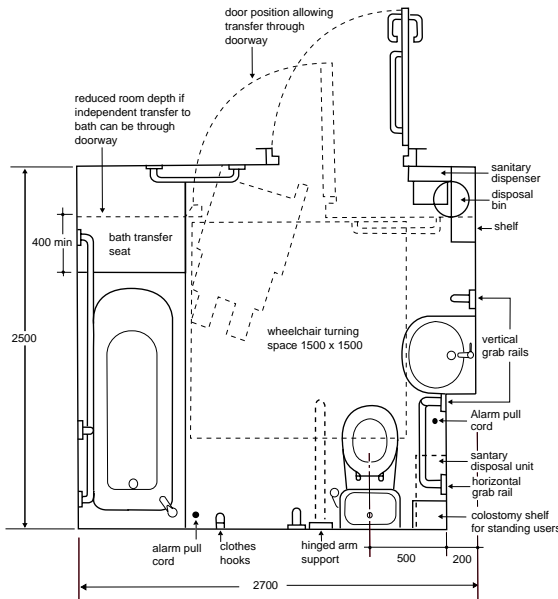
*Ideal
Standard*

special care

domestic bathroom

A domestic bathroom 270cm x 250cm suitable for wheelchair independent use. Layout conforms to BS8300:2001

- Turning space for wheelchair
- Ease of access to sanitary fixtures
- Conforms to British standard Code of Practice



HD possible position for hand dryer
SD soap dispenser
PT paper towel dispenser
AR alarm reset button
TP toilet paper dispenser

Illustrated

- S2245 (117925) Portman basin 50cm with 1 central tap hole, no overflow
S9150 (7900000) Aluminium alloy concealed bracket
S7445 (8029Y00) Lever action Spraymixer tap
S8720 (70027N9) Brass flat grid 1¹/₄in strainer waste
S8910 (70237Q4) 1 1¹/₄in plastic bottle trap, 75mm seal
S7435 (65704AG) Nuastyle under basin thermostatic valve
S6896AC (7788400PC) 60cm white grab rails (four)
S6894AC (7788200PC) 45cm white grab rail (for back of door)
S3200 (152701A) Ventura WC with fixing kit
S3960 (17006FQ) Ventura cistern, 6 litre capacity for bottom supply and internal overflow, Freeflo plastic syphon fittings, Microvalve HP/LP ballvalve with Whisperflo refill unit, internal overflow and cistern cover fastener
S4420 (7974000) chrome plated reversible spatula type lever
S4064 (68940DM) Bakasan HiLine seat & cover
S9101 (7550B00) Domex screws (pair)

S6912AC

- (7797100PC) Hinged support rail White
S177501 Nisa Lowline 170cm with left hand tap hole, no handgrips
A1359 Tratto single lever monoblock bath filler
S8830 (90268SP) 1¹/₂in combined chain waste & overflow
S177467 Bath support to accommodate hoist chassis
S098901 Bath panel with cut-out to accommodate hoist
S6895AC (7788300PC) 50cm white grab rail
S6922AC 175cm white grab rail (for rear of bath)

Options

- S6922L1 175cm easy grip blue grab rail (for rear of bath)

Material

Vitreous China

Colours

Available in White only

Standards

Vitreous China to BS3402
Layout conforms to BS8300:2001

Special notes

Bath panel only suitable for use with Nisa Lowline bath. Bath can only be fitted with Tratto monoblock bath filler. Bath/shower mixer is not suitable



Armitage Shanks

Product information
Tel: 0870 122 8822 Fax: 0870 122 8282
eMail: info@thebluebook.co.uk
www.thebluebook.co.uk

18:4:1

CI/SIB May 2002
(74) Uniclass L721

Ideal Standard

special care

ambulant care wc

Equipment for ambulatory accessible WC compartments for walking impaired people.

This installation conforms to Document M3 of the Building Regulations.

- Ambulatory accessible
- Water efficient
- Spatula lever at right or left side



Illustrated

- S3200 (152701A) Ventura WC pan with fixing kit
- S3960 (17006FQ) Ventura cistern 6 litre capacity, for bottom supply and internal overflow with close coupling, cistern cover fastener
- S4420 (7974000) spatula lever assembly
- S4055 (68940B1) Gemini toilet seat & cover
- S9101 (7550BPR) Domex screws
- S6896 (7788400) 60cm x 35mm stainless steel grab rail (3 No)

Material

Vitreous china

Weight

WC 25.5kg
Cistern 15.5kg

Colours

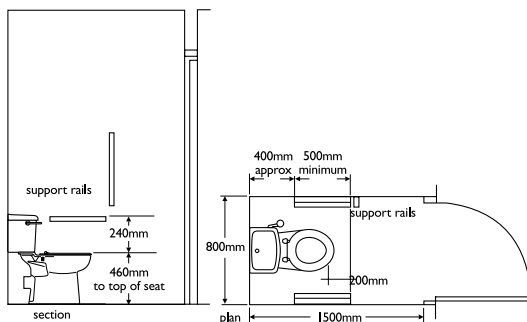
Available in White (01), Chablis (20) or Honey Moon (SW). Representations of colours available appear in Section 3, Colours

Standards

Vitreous china to BS 3402

Special notes

Spatula lever can be fitted on left or right of cistern

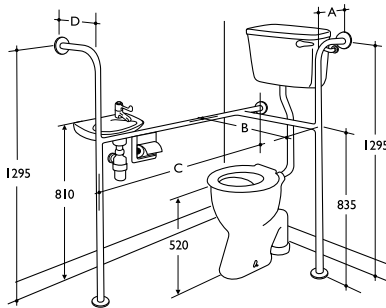


special care wc facility

WC facility designed for use by ambulant disabled people. It is not suitable for wheelchair users.

The WC arrangement features a higher than usual pan.

- For ambulant disabled people
- High rise WC
- Handrinse washbasin



Illustrated

S3567 (371502A) Talbot WC pan in fireclay, 51cm high with S trap
S3900 (17730AA) 6 litre cistern for side supply and internal overflow, reversible lever, Freeflo plastic syphon fittings, Microvalve 1/2in HP/LP ballvalve, side supply, internal overflow and Simpla inlet connector
S4658 (796489Z) plastic flushpipe

S4063 (68940B8)

Bakasan seat, no cover, stainless steel rod and chrome plated hinges
S9101 (7550BPR) Domex screws

S2771 (120014D) Dorex 37cm washbasin with single right hand taphole, no overflow, no chainstay hole

S7445 (8029Y00) lever action spray mixer tap
S9110 (7192000)

concealed hangers
S8720 (70027N9) 1 1/4in unslotted strainer waste
S8910 (70237Q4)

1 1/4in plastic bottle trap with 75mm seal
S6880 (77901H3) grab rail system, left hand

S5004 (2053100) Mayfair semi-recessed toilet roll holder, 15cm x 15cm

Material

WC in fireclay, Cistern and washbasin in vitreous china

Weight

WC 30.1kg
Cistern 15.5kg
Washbasin 4.5kg

Colours

Available in White only

Standards

Vitreous china to BS 3402

Options

S3565 (371501A) Talbot WC pan with P trap

Special notes

The illustration shows a left hand corner arrangement. For right hand corner arrangement substitute **S2772 (120015L)** Dorex washbasin and **S6881 (77901H4)** grab rail system

Dimensions A, B, C and D must be supplied at the time of ordering. Dimensions A and D cannot be less than 115mm.

State if left hand (as per drawing) or right hand layout is required.



special care
other

special care urinals

Urinals accessible to wheelchair users and ambulant disabled. Layout conforms to requirements of BS8300:2001

- Turning space for wheelchair
- Conforms to British standard Code of Practice



Illustrated

S610301 Sandringham wall bowl urinal
S6265AA Sandringham urinal back inlet spreader
S8770 (71228V2) 1 1/2in domed brass waste with stainless steel dome strainer
S8915 (70238Q4) 1 1/2in white plastic bottle trap, 75mm seal
S6896 (7788400) 60cm stainless steel grab rails
S6268NU Concealed flushpipe for Sandringham urinal
S6215 Conceala 4.5 litre Auto cistern

Options

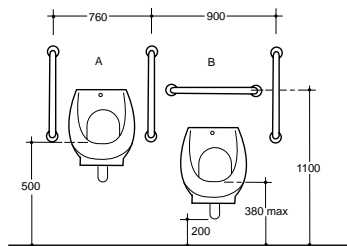
S6266AA Sandringham urinal top inlet spreader
S6200 Mura 4.5 litre Auto cistern
S6267NY Exposed flushpipe for Sandringham urinal

Special notes

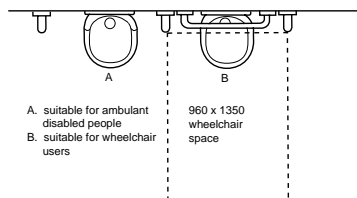
Wheelchair users may be able to pull themselves to a standing position to use a urinal, or they may be able to use a urinal from their wheelchair. The lower urinal position shown is also beneficial to a person of lower stature.

Standards

Layout conforms to BS8300:2001



wall space kept free to 200 above floor unless urinal projects more than the minimum 360 from the wall



A. suitable for ambulant disabled people
 B. suitable for wheelchair users

960 x 1350 wheelchair space



special care
changing area

A self contained changing area accessible for wheelchair users conforming to the requirements of BS8300:2001

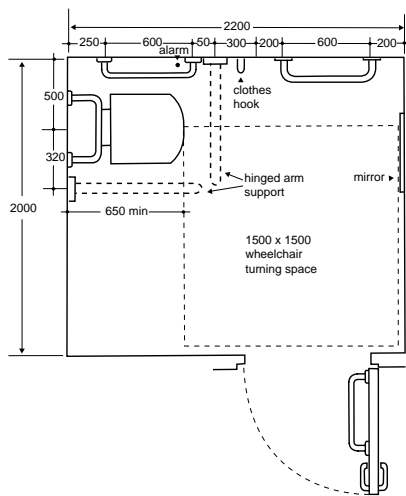
- Turning space for wheelchair
- Conforms to British standard Code of Practice



- Illustrated**
- S6632 Folding shower seat - 650mm (fixed height) in grey
 - S6635 Multi-System back support (fixed height) in grey
 - S6896AC (7788400PC) 60cm white grab rails
 - S6912AC (7797100PC) Hinged support rail White(two)
 - S6894AC (7788200PC) 45cm white grab rail (for back of door)
 - S6856 (80434AG) exposed thermostatic lever action shower valve
 - S9395 (7891400) handspray, flexible hose for exposed installation
 - S9430 (M126801) rail giving 1 metre movement on slider

Standards
Layout conforms to BS8300:2001

Special notes
Fixing Heights:
Floor to top of shower seat 480mm
Floor to centre of back rest of rail 800mm
Floor to centre of horizontal grab rail 800mm



special care

ambulant shower facility

An installation for use by ambulant disabled, walking impaired and infirm people, providing shower tray with slip resistant base, hinged seat, lever operated mixer, adjustable shower head and grab rails.

- Fireclay tray
- Slip resistant base
- Hinged seat
- Lever operated mixer
- Grab rails



Illustrated

- S5892 (3320200) Modula shower tray 82cm
- S8726 (70038P3) 1 1/2in strainer waste
- S6856 (80434AG) exposed thermostatic lever action shower valve
- S9395 (7891400) handspray, flexible hose for exposed installation
- S9430 (M126801) rail giving one metre movement on slider
- S6860 (7798100) hinged shower seat, wall mounted, 50cm x 46cm white nylon coated
- S6896 (7788400) straight grab rail, 60cm
- S6894 (7788200) straight grab rail, 45cm
- S5008 (2051100) Mayfair recessed soap and sponge holder, 31cm x 15cm

Weight

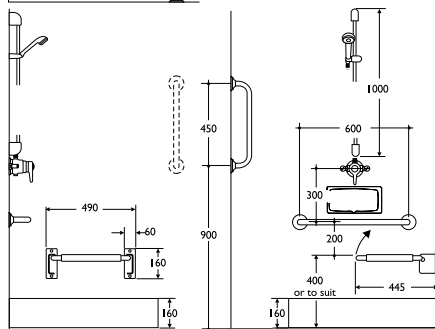
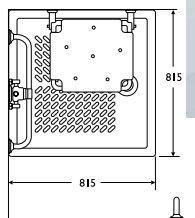
Tray 74.0kg

Colours

Available in White only

Options

- S6857 (80444AG) concealed thermostatic lever action shower valve
- S9396 (78914J0) handspray, flexible hose and sliding rail for concealed installation



special care
aegean

The design of the Aegean washbasin is such that it will help designers meet the minimum standards of accessibility.

Aegean is a washbasin designed specifically to allow people using wheelchairs access to the washbasin wash area.

- Provides knee clearance
- Vitreous china
- Aegean 62cm washbasin



Illustrated

S2330 (120613S) 62cm Aegean washbasin with 2 tapholes at 20cm
S8800 (90547N1) 1 1/4in bead chain waste and plug, 80mm slotted tail, bolt stay
S7004 (61144LV) Millenia 1/4 turn lever action pillar taps
S8910 (70237Q4) 1 1/4in bottle trap with 75mm seal
S9150 (7900000) Concealed brackets with fixing clamps in aluminium alloy

Material

Vitreous china

Weight

Washbasin 18.0kg

Colours

Available in White only

Standards

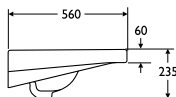
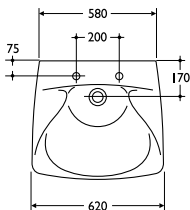
Vitreous china

Options

S2331 (120614E) 62cm with one central taphole

Special notes

Suggested rim height 80cm



special care

other

special care contour

The design of the Contour washbasin is such that it will help designers meet the minimum standards of accessibility.

Contour is a washbasin with ducted services and concealed fixings, thus leaving the underside of the washbasin clear to allow knee clearance.

- Provides knee clearance
- Vitreous china
- Contour washbasin



Illustrated

S2295 (112424K)
50cm, no tapholes
S7420 (625432Q)
Starlite single control mixer with anti splash nozzle
S8750 (70087NP)
1 1/4in outlet adapter
S8745 (7007700) plastic strainer, chain, plug and screw stay
S9161 (79030X6) concealed hangers, toggle bolts and clips for 50cm washbasin

Colours

Available in White only

Standards

Vitreous china to BS 3402

Options

S2290 (112414K)
38cm, no tapholes
S9112 (71920X6) concealed hangers, toggle bolts and clips to suit

Special notes

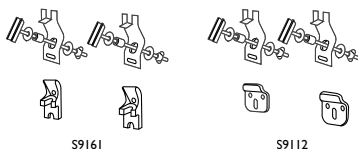
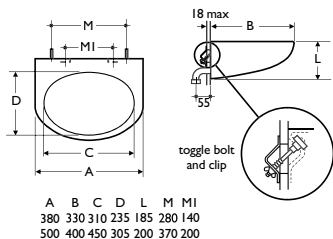
Maximum panel thickness 18mm

Material

Vitreous china

Weight

38cm 8.0kg
50cm 12.0kg



S9161

S9112



Armitage
Shanks

Product information
Tel: 0870 122 8822 Fax: 0870 122 8282
eMail: info@thebluebook.co.uk
www.thebluebook.co.uk

18:4:7

CI/SIB (74) May 2002
Uniclass L721

Ideal
Standard

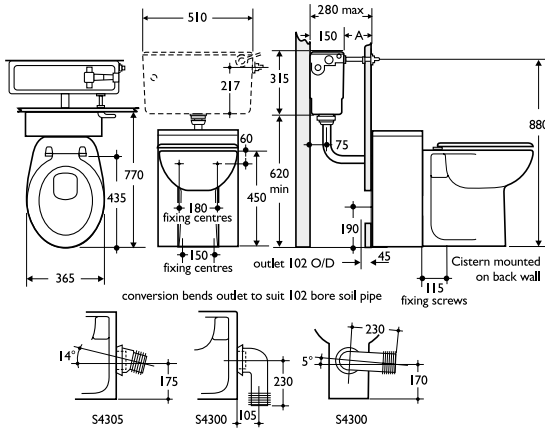
special care

ventura • melrose WCs

WC assemblies with spacer box unit and concealed cisterns. Suitable for wheelchair use.

special care
other

- Suitable for wheelchair transfer
- Concealed cisterns
- Vitreous china



- Back-to-wall
- Raised height for ease of use

Illustrated

- S3465 (149401A) Domex screws (pair)
- S5375 (7774000) Ventura back-to-wall WC
- S3710 (42180JE) Spacer box unit
- S3710 (42180JE) Conceala cistern & cover, 6 litre, with Freeflo syphon, side supply, internal overflow, Simpla inlet connector
- S4666 (C03AZ13) Extended flushbend
- S4063 (68940B8) Bakasan seat no cover, chrome plated hinges

- S9101 (7550BPR) Vitreous china
- S9101 (7550BPR) Domex screws (pair)
- S9101 (7550BPR) Material Vitreous china
- S9101 (7550BPR) Weight WC 19.5kg
- S9101 (7550BPR) Colours Available in White only
- S9101 (7550BPR) Standards Vitreous china to BS 3402
- S9101 (7550BPR) Associated products Panekta Connectors
- S9101 (7550BPR) S4305 (9013000) converts to P trap
- S9101 (7550BPR) S4300 (9014000) Converts to turned P or S trap

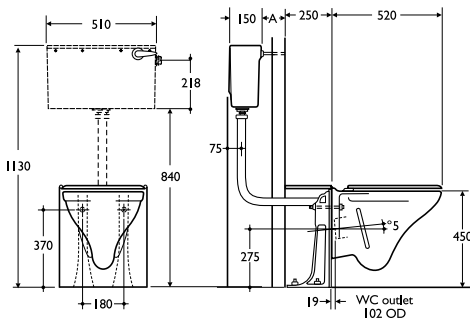


- Wall mounted
- Raised height for ease of use

Illustrated

- S3610 (150201T) Melrose WC with P trap
- S9200 (72960NP) Support frame in aluminium alloy with bolts
- S5377 (7761000) spacer box unit
- S3710 (42180JE) Conceala cistern & cover, 6 litre, with Freeflo syphon, side supply, internal overflow, Simpla inlet connector
- S4666 (C03AZ13) Extended flushbend

- S4063 (68940B8) Bakasan seat no cover, chrome plated hinges
- S4063 (68940B8) Material Vitreous china
- S4063 (68940B8) Weight WC 13.0kg
- S4063 (68940B8) Colours Available in White only
- S4063 (68940B8) Standards Vitreous china to BS 3402



special care
other

special care
talbot

This 52cm high WC is recommended for people who may have difficulty rising from a standard height WC.

- Extra height WC pan
- Heavy duty fireclay
- Choice of cisterns



Illustrated

S3567 (371502A) Talbot WC pan with S trap
S3955 (17180AD) High level cistern. 6 litre capacity, for side supply and internal overflow, reversible chain and pull, Freeflo plastic syphon fittings, Microvalve 1/2in HP/LP ballvalve, side supply and internal overflow, Isovalve servicing valve
S4505 (9015B00) Simpla inlet connector
S4601 (7657A9Z) plastic flushpipe, 168cm and clip
S4063 (68940B8) Bakasan seat, no cover, stainless steel rod and chrome plated hinges
S9101 (7550BPR) Domex screws

Colours

Available in White only

Standards

Vitreous china to BS 3402

Options

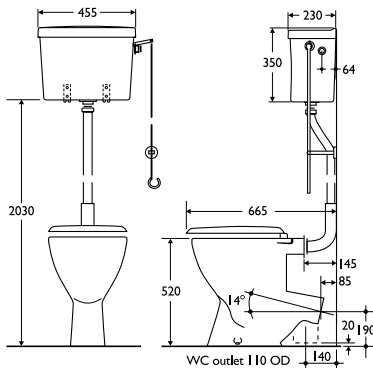
S3565 (371501A) Talbot WC pan with P trap
S3566 (371501K) Talbot WC pan, P trap, with seat pads
S3568 (371502K) Talbot WC pan, S trap, with seat pads
S4423 (S03TL01) rod pull and guide with rubber tip
S3900 (17730AA) Compact cistern, 6 litre capacity, for side supply and internal overflow, reversible lever, Freeflo plastic syphon fittings, Microvalve 1/2in HP/LP ballvalve, side supply, internal overflow and Simpla inlet connector
S4658 (796489Z) plastic medium level flushpipe

Material

WC in heavy duty fireclay
 Cistern in vitreous china

Weight

WC 30.1kg
 Cistern 15.5kg



special care

cameo 150

Luxury bath in reinforced cast acrylic.
Perfect for where space is at a premium

- Space saving
- Reinforced acrylic
- Twin handgrips

special care

other



Illustrated

S1103 (46101D6) Cameo 150cm bath, 2 tapholes at 18cm, twin coloured handgrips
S7188 (9235500 Alterna Quadrant flin quarter turn lever action pillar taps
S8830 (90268SP) combined chain waste and overflow
S0910 (44941G9) Universal front panel
S0906 (44911K0) Universal end panel

Material

Idealform™ cast acrylic sheet fully reinforced

Weight

Bath 19.0kg
 Front panel 2.0kg
 End panel 1.0kg

Colours

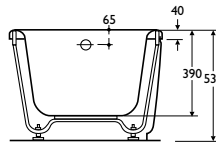
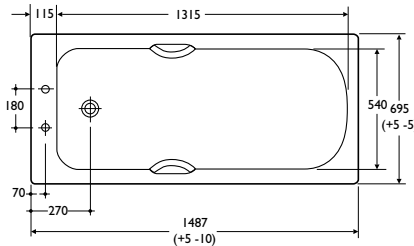
Available in White, Chablis or Honey Moon. Representations of colours available appear in Section 3, Colours

Options

S1120 (7890000CP) metal handgrips chrome plated

Special notes

Colour coordinated handgrips, frame and supports inclusive

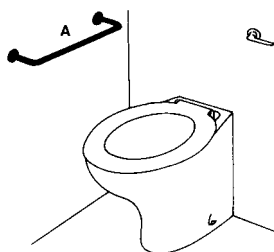


special care
other

special care grab rails

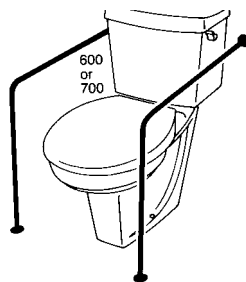
A comprehensive range of grab rails for use where facilities for people with disabilities or infirmities must be provided.

- *Stainless steel*
- *35mm OD tube*
- *Easy grip finish available*



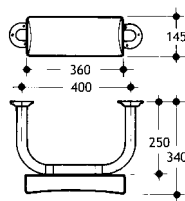
Straight Grab Rail – 35mm diameter
Catalogue numbers and sizes

	A
S6893 (7788100)	34cm
S6894 (7788200)	45cm
S6895 (7788300)	50cm
S6896 (7788400)	60cm
S6897 (7788500)	70cm
S6898 (7788600)	75cm
S6902 (7788900)	120cm
S6922	175cm



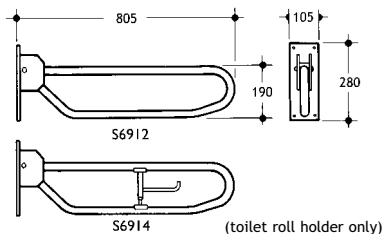
Wall to Floor Support Rail – 35mm diameter
Catalogue numbers and sizes

S6903 (7789100)	74 x 60cm
S6904 (77891K0)	74 x 60cm, with stabilising leg
S6905 (7789200)	74 x 70cm
S6906 (77892K0)	74 x 70cm, with stabilising leg



Back Support Rail
Catalogue numbers and sizes

S6888 (7780000)	40 x 25cm, rail only
S6884 (7773100)	Cushioned back support



Hinged Support Rail
Catalogue numbers and sizes

S6912 (7797100)	805mm, nylon coated
S6914 (7786000)	Toilet roll holder for hinged arm rail

Special notes

Grab rails are available with polished finish (MY), White Plastic coated (AC) or Easy Grip Blue (LI). Hinged support rails not available in polished finish

Armitage
Shanks

Product information
Tel: 0870 122 8822 Fax: 0870 122 8282
eMail: info@thebluebook.co.uk
www.thebluebook.co.uk

18 : 4 : 12

CI/SIB (74) May 2002
Uniclass L721

Ideal
Standard

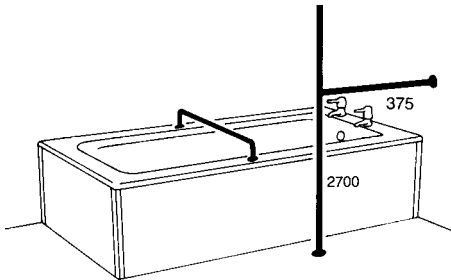
special care

grab rails

A comprehensive range of grab rails for use where facilities for disabled or infirm people must be provided.

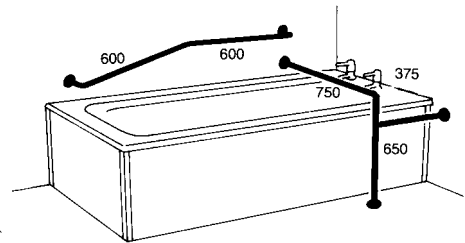
special care
other

- Stainless steel
- 35mm OD tube

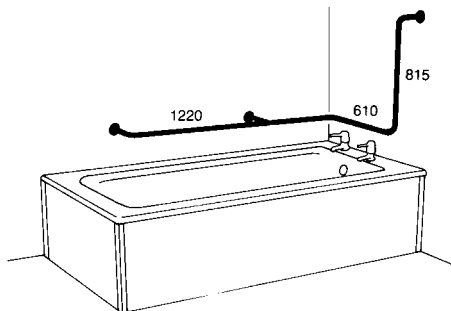


Rim to Rim Bath Grab Rail – 25mm diameter
S6926 (7808100) 635mm chrome plated brass

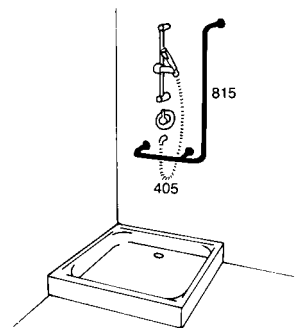
- Floor to Ceiling Grab Pole – 35mm diameter
S6892 (7784100) 270cm
S6911 (7793100) 270cm with stay to wall



- Floor to Wall Bath Rail – 35mm diameter
S6886 (77761H3) 650 x 750 x 375mm for left hand end wall
S6887 (77761H4) 650 x 750 x 375mm for right hand end wall (illustrated)
 Cranked Wall Rail – 35mm diameter
S6890 (7783100) 60 x 60cm



- Corner Rail – 35mm diameter
S6907 (77911H3) 815 x 1220 x 610mm for left hand end wall
S6908 (77911H4) 815 x 1220 x 610mm for right hand end wall (illustrated)



- Angled Grab Rail – 35mm diameter
S6909 (77921H3) 815 x 405mm for left hand end wall
S6910 (77921H4) 815 x 405mm for right hand end wall (illustrated)

Special notes

Grab rails are available with polished finish (MY) or White Plastic coated (AC)

special care
other

special care

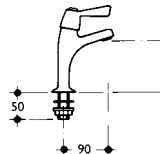
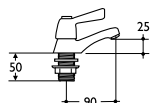
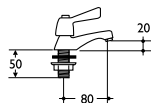
lever pillar taps

Lever operation enables valves to be opened and closed without the need for tight grasping, pinching or twisting of the wrist.

This ease of operation makes lever pillar taps appropriate for universal use.

Quarter turn opening and closing further extends the proportion of the population who can use these fittings.

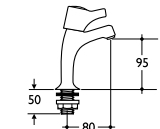
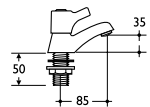
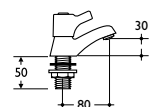
- *Alterna Quadrant*
- *Millenia*
- *Quarter turn operation*
- *For baths, sinks and washbasins*
- *WRAS approval applied for*



- *Alterna Quadrant*
- *Chrome plated*

Illustrated

S7185 (9235400CP)
Alterna Quadrant washbasin pillar taps, chrome plated (pair)
S7188 (9235500CP)
Alterna Quadrant bath pillar taps, chrome plated (pair)
S7193 (9236400CP)
Alterna Quadrant sink pillar taps, chrome plated (pair)



- *Millenia pillar taps*
- *Quarter turn operation*

Illustrated

S7004 (61144LVCP)
Millenia quarter turn washbasin pillar taps, chrome plated (pair)
S7014 (61145LVCP)
Millenia quarter turn bath pillar taps, chrome plated (pair)
S7020 (61494LVCP)
Millenia quarter turn sink pillar taps, chrome plated (pair)



Armitage Shanks

Product information
Tel: 0870 122 8822 Fax: 0870 122 8282
eMail: info@thebluebook.co.uk
www.thebluebook.co.uk

18 : 4 : 14

CI/SIB (74) May 2002
Uniclass L721

Ideal Standard

special care

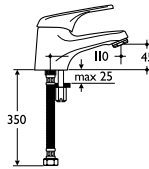
lever operated mixers

Lever operation enables valves to be opened and closed without the need for tight grasping, pinching or twisting of the wrist.

This ease of operation makes lever taps and mixers appropriate for universal use.

See brassware section for details of pressure ratings.

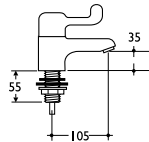
- Lever operation
- Washbasin mixers
- Shower mixer



- Piccolo monoblock mixer
- Single lever operation

Illustrated

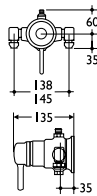
B1990AA (6312W00CP)
Piccolo 2 washbasin monoblock single lever mixer, no waste.



- Washbasin spray mixer
- Single lever operation

Illustrated

S7445 (8029Y00CP)
washbasin spray mixer, chrome plated, with integral volume and spray controls



- Thermostatic shower mixer
- Flexible hose
- TMV3 scheme approved

Illustrated

S6856 (80434AGCP)
thermostatic exposed shower mixer valve, chrome plated
S9400 (7892400CP)
handspray with flexible hose, handspray & bracket for exposed installation
S9430 (M126801)
one metre rail

Options

S6857 (80444AGCP)
thermostatic concealed shower mixer valve, chrome plated valve and plate
S9401 (78924J0CP)
handspray with flexible hose, handspray & bracket for concealed installation

special care

other

*Armitage
Shanks*

Product information
Tel: 0870 122 8822 Fax: 0870 122 8282
eMail: info@thebluebook.co.uk
www.thebluebook.co.uk

18:4:16

CI/SIB | (74) | May 2002
| | |
Uniclass L721

*Ideal
Standard*