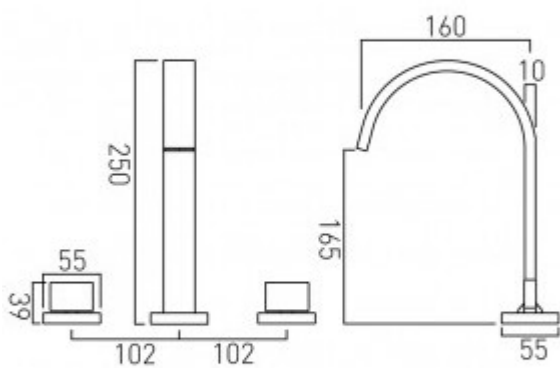




**technical drawing**



**description:**

3 hole bath filler  
deck mounted  
spout can swivel or be fixed  
with water flow straightener  
3/4" ceramic disc 1/4 turn valves  
ceramic cartridge GEO-VALVE/CD/CL-3/4 and  
GEO-VALVE/CD/HT-3/4  
2 x 3/4" x 3/4" x 500mm flexipipe connections  
3/4" male x 3/4" male x 3/4" female T piece connection  
spout deck mount drill hole diameter 28mm  
valve deck mount drill hole diameter 33mm  
min-max bath thickness 6-25mm

**finishes:**

chrome

**minimum operating pressure:** 0.5 bar LP

**guarantee:**

12 year guarantee

VADO wedmore road cheddar somerset england bs27 3eb

tel 01934 744466 fax 01934 744345 sales@vado-uk.com www.vado-uk.com