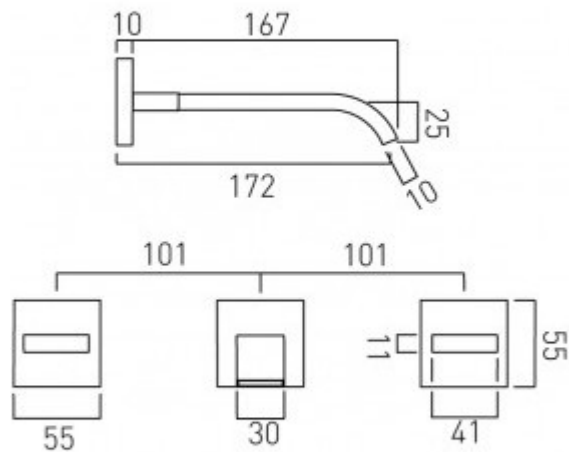




technical drawing



description:

3 hole basin mixer
wall mounted
with water flow aerator
ceramic cartridge GEO-109-VALVE/CD/CL &
GEO-109-VALVE/CD/HT
2 x 1/2" male x 1/2" male x 90mm straight
connections and 1 x 1/2" x 1/2" x 1/2" x 47mm
female connections (T-piece)
min-max wall mount 45-62mm

finishes:

chrome

minimum operating pressure: 0.2 bar LP

ECO flow regulator: FR-106/4-PLA

guarantee:

12 year guarantee

VADO wedmore road cheddar somerset england bs27 3eb

tel 01934 744466 fax 01934 744345 sales@vado-uk.com www.vado-uk.com