

# CO-9B Datasheet for Trade

## Carbon Monoxide Alarm

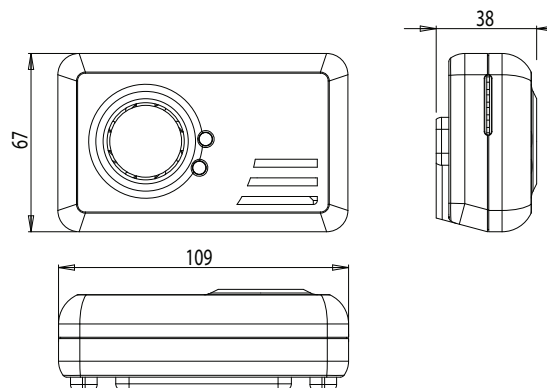
A.K.A. Carbon Monoxide Poisonous Gas Alarm

GN0421/R1

### Product Image



### Product Dimensions (mm)



<b>Model Number</b>	CO-9B
<b>Retail Description</b>	N/A
<b>Unique ID code</b>	N/A
<b>Retail EAN Number</b>	N/A
<b>Retail Packaging Format</b>	N/A
<b>Retail Packaging Dimensions WxHxD</b>	N/A
<b>Retail Packaging Weight</b>	N/A
<b>Retail SRP Quantity</b>	N/A
<b>Trade Description</b>	Carbon Monoxide Poisonous Gas Alarm
<b>Unique ID code</b>	103610020
<b>Trade EAN Number</b>	N/A
<b>Trade Packaging Format</b>	Recycled cardboard box
<b>Trade Packaging Dimensions WxHxD</b>	133mm x 95mm x 46mm
<b>Trade Packaging Weight</b>	167g
<b>Trade Outer Box Quantity</b>	20
<b>Warranty</b>	7 Years
<b>Technology</b>	Sensor: Electrochemical cell
<b>Operation AC/DC</b>	DC
<b>Battery Type</b>	2 x 1.5volt AA Alkaline

<b>Product Weight</b>	125g
<b>Alert Type</b>	Loud 85dB Alarm at 1 meter + red flashing LED
<b>Operating Temperature</b>	-10°C to 40°C
<b>Operating Humidity</b>	30% to 90% RH non-condensing
<b>Installation Positions</b>	Wall / Ceiling / Shelf
<b>Approvals</b>	Independently tested to conform to BS EN 50291:2001
<b>Additional Testing</b>	N/A

#### Health & Safety Information

<b>Storage Temperature</b>	-20°C to 60°C
<b>Storage Humidity</b>	30% to 90% RH non-condensing



Independently tested to conform to BS EN 50291:2001



**FireAngel®**

**FireAngel Ltd.**  
The Technocentre, Puma Way  
Coventry CV1 2TT UK

**Tel** +44 (0)24 7623 6600  
**Fax** +44 (0)24 7623 6603  
**Web** www.fireangel.co.uk