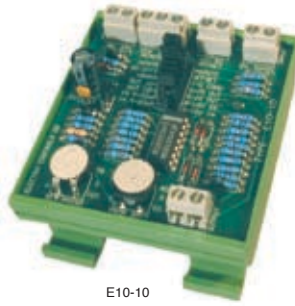


**TRANSMITTER SETPOINT CONTROLLER  
0-10VDC / 4-20mA IN 0-10VDC OUT**

E10-10

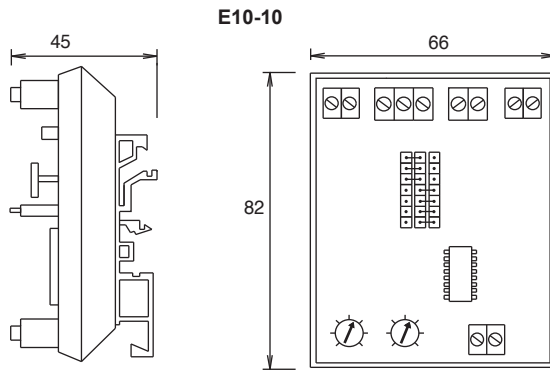
This product can be used with pressure, temperature, humidity, flow or level transmitters. By connecting the transmitter output into this controller a setpoint can be adjusted and a 0-10VDC output will be produced over the desired proportional band.



Input current > 0.5mA  
Max Ambient -10/+50°C  
Flammability = UL94-V0

Type	Setpoint Range	Proportional Band	Input	Output	Supply ±15%	Consumption	Mounting	Enclosure
E10-10	0-100%	0-50%	0-10VDC or 4-20mA	0-10VDC	24VAC/DC	32mA	Din Rail	IP00

**DIMENSIONS:**



**EXAMPLES:**

**E10-10 used with a pressure transmitter ie range 0-16 bar & 0-10vdc output.**

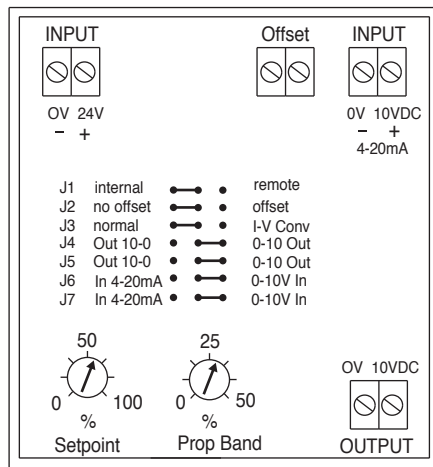
A setpoint of 50% represents 8 bar. A prop band of 10% represents 1.6 bar (10% of the range) J4 & J5 link on 0-10. Therefore the output will be 0-10vdc linear over the range from 8 bar 0vdc to 9.6 bar 10vdc. If J4 & J5 link is on 10-0 then the output will be 0-10vdc linear over the range from 8 bar 0vdc to 6.4 bar 10vdc.

**E10-10 used with a humidity transmitter ie range 0-100% RH & 0-10vdc output.**

A setpoint of 40% represents 40% RH. A prop band of 20% represents 20% RH (20% of the range) J4 & J5 link on 0-10. Therefore the output will be 0-10vdc linear over the range from 40% RH 0vdc to 60% RH 10vdc. If J4 & J5 link is on 10-0 then the output will be 0-10vdc linear over the range from 40% RH 0vdc to 20% RH 10vdc.

**WIRING:**

E10-10



- J1 Fit link to internal
- J2 To select remote setpoint offset ±5% or no offset
- J3 Select I-V Conv to convert a 4-20mA input signal directly to 0-10VDC Output. The setpoint adj has no effect in this mode.
- J4 & J5 Set both to 0-10 with rising input above the setpoint, the output also rises. Set both to 10-0 with falling input below the setpoint, the output rises.
- J6 & J7 Set both to 4-20mA or 0-10V to select the input signal

**INSTALLATION:**

Terminals 0.5-2.5mm<sup>2</sup> rising clamps  
Screened cable is recommended  
Keep sensor/control signal wires away from power cables/units which may cause interference.

Min sensor / control signal cable size 7/0.2mm  
The screen should be earthed at controller end only