

E..PCM

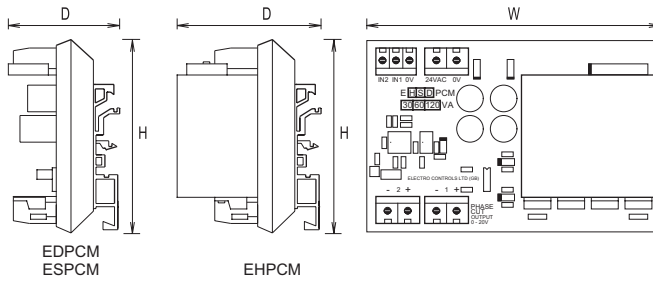
- These units convert one or two 0-10vdc inputs to one or two 0-20V phase-cut outputs to control Staefa 2 wire valves and Belimo actuators.



Input current < 1mA
Use the correct size transformer for the VA rating of the actuator / valve.
 The output signal varies at the same rate as the input signal.
 Humidity 0-90%RH non condensing
 Ambient -10 /+50°C
 Consumption 51mA Flammability = UL94-V0

Type	Power Supply ±15%	Input Signal	Output Signal	Max Actuator Rating	Mounting	Enclosure
EDPCM	24VAC	2 x 0-10VDC	2 x 20V	30VA/channel	Din Rail	IP00
ESPCM	24VAC	1 x 0-10VDC	1 x 20V	60VA	Din Rail	IP00
EHPCM	24VAC	1 x 0-10VDC	1 x 20V	120VA	Din Rail	IP00

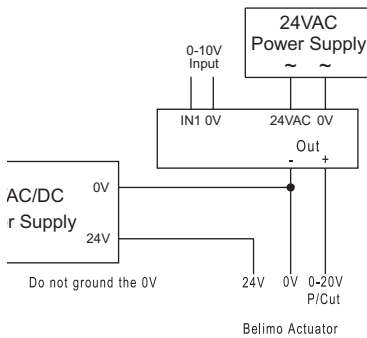
DIMENSIONS:



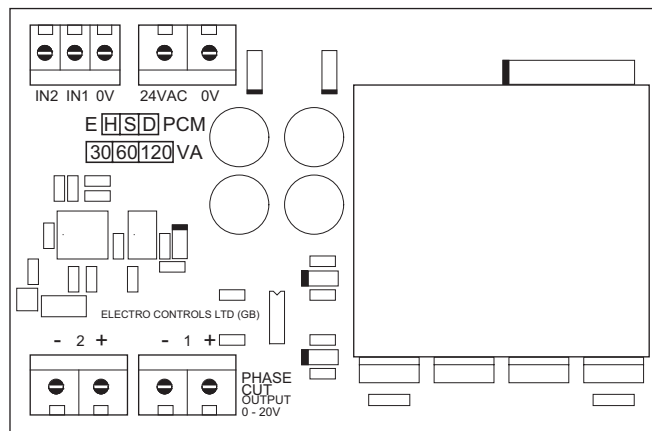
	H	W	D
EDPCM	77	114	48
ESPCM	77	114	48
EHPCM	77	114	62

WIRING:

Example for wiring to Belimo Actuator



EDPCM
 ESPCM
 EHPCM



For the 24VAC POWER SUPPLY select transformer VA rating according to actuator rating.

NOTE: The ESPCM & EHPCM can only be used for 1 x 0-10VDC input & 1 x 0-20V phase cut output using channel 1. The EDPCM can be used for 2 x 0-10VDC input & 2 x 0-20V phase cut output using channels 1&2.

If the 0-10VDC input signal is removed, that channel will be cut off.
 THE OUTPUTS MUST NOT BE CONNECTED OR DISCONNECTED WHEN THE UNIT IS POWERED AS THIS WILL DAMAGE THE UNIT.

INSTALLATION:

Terminals 0.5-2.5mm² rising clamps. Min sensor / control signal cable size 7/0.2mm. Max length 100m
 Screened cable is recommended, the screen should be earthed at controller end only
 Keep sensor/control signal wires away from power cables/units which may cause interference.