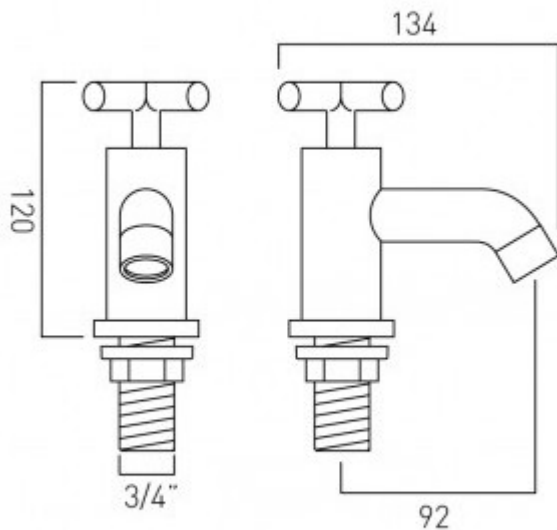




technical drawing



description:

pair of bath pillar taps
deck mounted
with water flow straightener
with water flow aerator
ceramic cartridge ELW-136/VALVE-3/4 (HT & CL)
3/4" x 50mm threaded connections
deck mount drill hole diameter 27mm

finishes:

chrome

minimum operating pressure: 0.3 bar LP

guarantee:

12 year guarantee

VADO wedmore road cheddar somerset england bs27 3eb

tel 01934 744466 fax 01934 744345 sales@vado-uk.com www.vado-uk.com