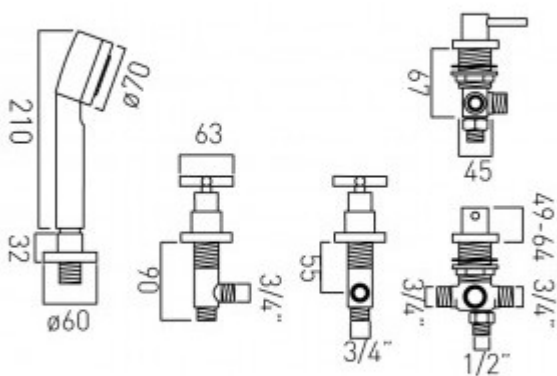




technical drawing



description:

4 hole bath shower mixer
deck mounted
without spout
for use with bath filler waste and overflow
ceramic cartridge ELE-VALVE/CD-3/4 (HT & CL)
2 x 3/4" x 3/4" x 500mm flexipipe connections
valve deck mount drill hole diameter 33mm
diverter deck mount drill hole diameter 46mm
handset deck mount drill hole diameter 27mm

finishes:

chrome

minimum operating pressure: 0.7 bar LP

Eco flow regulator: FR-SHOWER/9-C/P

guarantee:

12 year guarantee

VADO wedmore road cheddar somerset england bs27 3eb

tel 01934 744466 fax 01934 744345 sales@vado-uk.com www.vado-uk.com