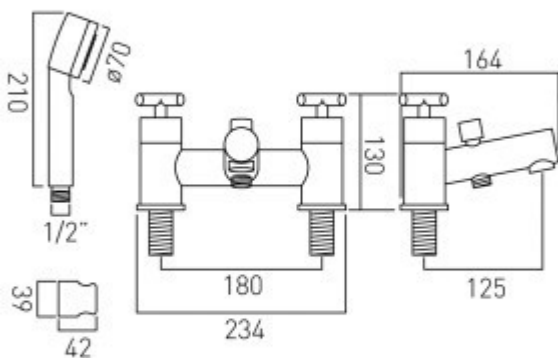




technical drawing



description:

2 hole bath shower mixer
deck mounted
with shower kit
with water flow straightener
ceramic cartridge ZOO-130+137-VALVE (HT & CL)
3/4" x 50mm fitted tail connections
deck mount drill hole diameter 28mm

finishes:

chrome

minimum operating pressure: 0.3 bar LP

ECO flow regulator: FR-SHOWER/9-C/P

guarantee:

12 year guarantee

VADO wedmore road cheddar somerset england bs27 3eb

tel 01934 744466 fax 01934 744345 sales@vado-uk.com www.vado-uk.com